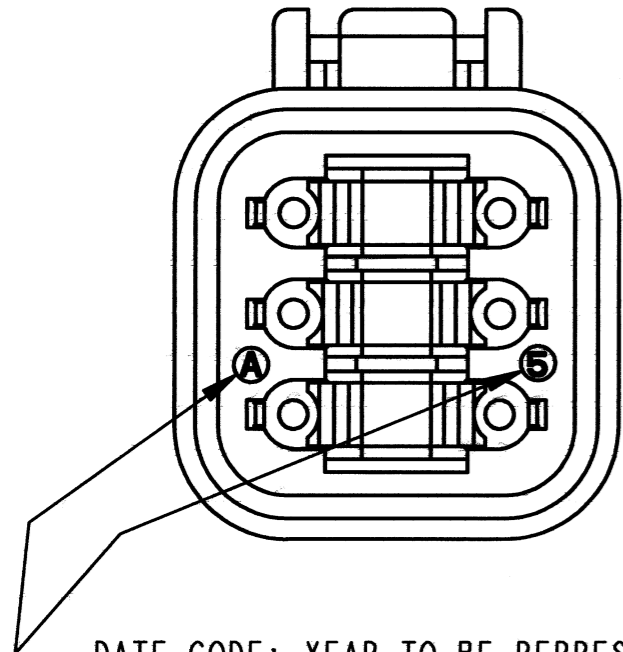
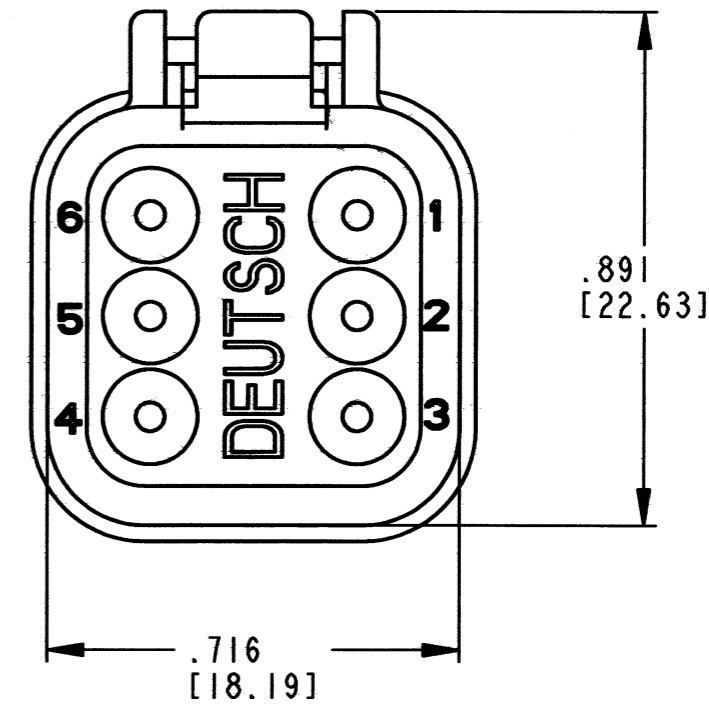
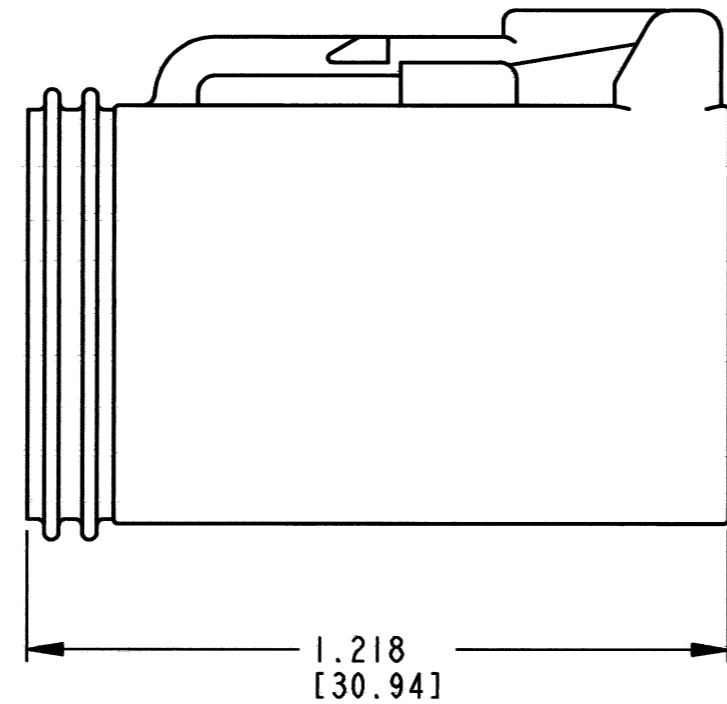


REV  
B DT06-6S-E004

REVISIONS			
SYM	DESCRIPTION	DATE	APPROVED
NC	NEW RELEASE PER E.O. A13781	3/19/92	J.A.
A	REVISED PER E.O. P18822	2/11/05	R.D.R.
B	REVISED PER E.O. P21060	8-1-11	RDR



DATE CODE: YEAR TO BE REPRESENTED BY LAST NUMERICAL DIGIT. EX: 5 = 2005; MONTH USES SEQUENTIAL ALPHA CHARACTERS. EX: A = JANUARY



5. SHELL MATERIAL: PLASTIC  
SEAL MATERIAL: RUBBER

4. THIS PLUG MATES WITH DT04-6P-\*\*\*\* (\*\*\*\* = ALL MODIFICATION)  
CONSULT FACTORY FOR MODIFICATIONS.

3. FOR CONTACTS AND WIRE PERFORMANCE AND APPLICATION CHARACTERISTICS.  
SEE ENVELOPE DRAWING 0425-015-0000 AND 0425-017-0000.

2. ALL DIMENSIONS ARE ±.025 [.64] UNLESS OTHERWISE SPECIFIED.


NOTES: 1. ALL DIMENSIONS ARE IN INCHES [MILLIMETERS].

CONTACT SIZE	MIN. INSUL. O.D.	MAX. INSUL. O.D.	WIRE RANGE [mm <sup>2</sup> ] REF ONLY
16	.088 [2.23]	.145 [3.68]	14-20 AWG [2.0-0.5]

SIGNATURE & DATE	
DR	X. SANCHEZ 01FEB05
CHK	D. Buford 7/29/11
PE	R. Messer 7/29/11
APPD	S. Bend 7/29/11
SCALE	NONE WT

6 WAY PLUG  
-E004 MOD.  
COLOR: BLACK  
D.T. SERIES

ENVELOPE

EP	NATL. CODE
 3850 INDUSTRIAL AVE. HEMET, CA 92545 <b>DEUTSCH</b> INDUSTRIAL	
<b>B</b>	<b>DT06-6S-E004</b>
DWG SIZE	CODE 11139 SHEET   OF