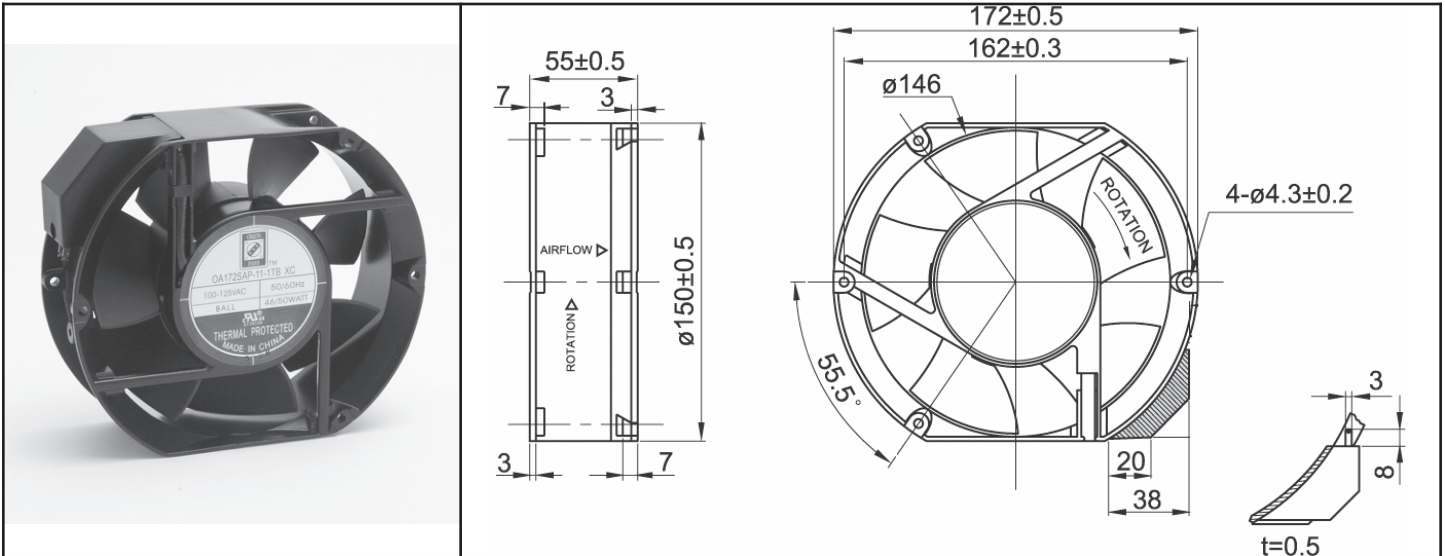


# OA172 XC Series - Salt Fog



AC Fan - 115V, 230V  
172 x 150 x 55mm (6.7"x 5.9"x 2.2")



|                       |  |   |  |
|-----------------------|--|---|--|
| Frame                 | Diecast Aluminum                               | <u>Environmental Protection</u><br>SALT FOG RATED<br><br><u>Operating Temperature</u><br>-20C ~ +70C<br>Storage Temp<br>-30C ~ +80C<br><br><u>Life Expectancy</u><br>>40,000 hours (L10, 40C )<br><br>Weight: ~ 2.4 lbs<br>m2 |  |
| Impeller              | PBT, UL94V-0 plastic                           |   |  |
| Connection            | Terminals                                      |   |  |
| Motor                 | AC Capacitor drive,<br>Thermally protected     |   |  |
| Bearing System        | Dual ball bearing                              |   |  |
| Insulation Resistance | >100M ohm between lead-wire and frame (500VDC) |   |  |
| Dielectric Strength   | 1 min at 1500 VAC,50/60 Hz                     |   |  |

| Model Number                               | OA172SAP-11-1TBXCSF | OA172SAP-22-1TBXCSF |
|--|---------------------|---------------------|
| Part Number                                | 230385562           | 230685562           |
| Nominal Voltage                            | 115 VAC             | 230 VAC             |
| Voltage Range                              | 103 ~ 126 VAC       | 207 ~ 253 VAC       |
| Rated Current                              | 0.34 A              | 0.17 A              |
| Locked Current                             | 0.76 A              | 0.38 A              |
| Rated Power                                | 38 W                | 38 W                |
| Rated Speed (RPM)                          | 3400                | 3400                |
| Airflow (CFM)                              | 293                 | 293                 |
| Noise Level (dB)                           | 60                  | 60                  |
| Max. Static Pressure (\" H <sub>2</sub> O) | 0.90                | 0.90                |