

RECOMMENDED P.C.B. LAYOUT

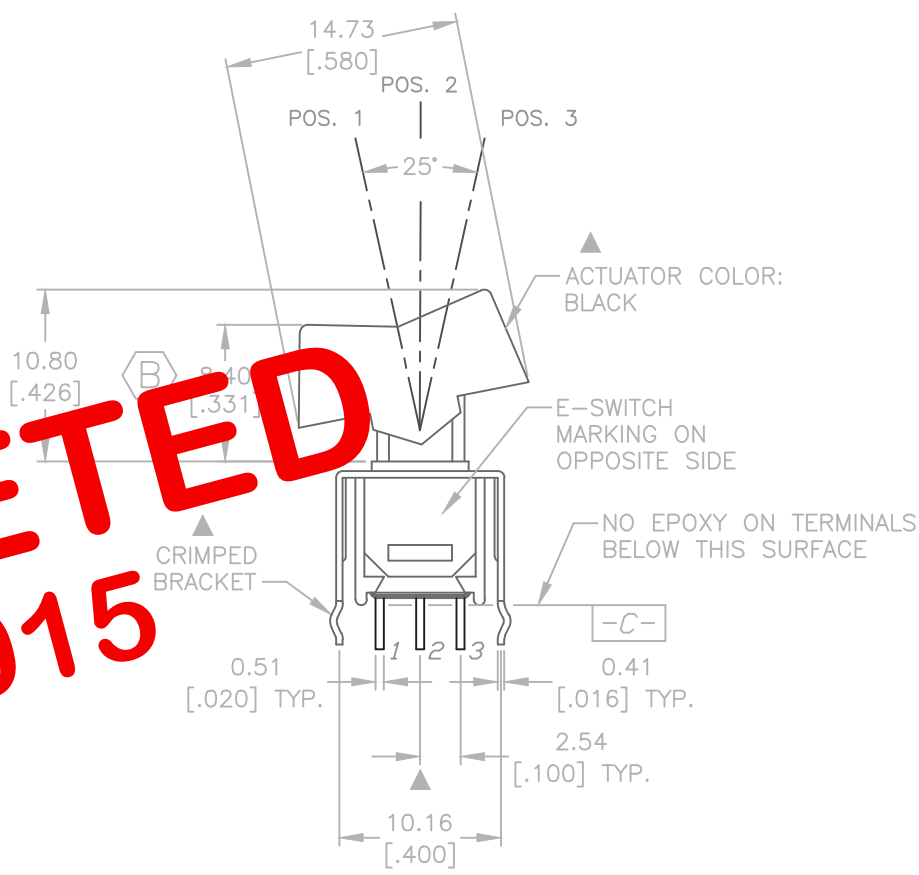
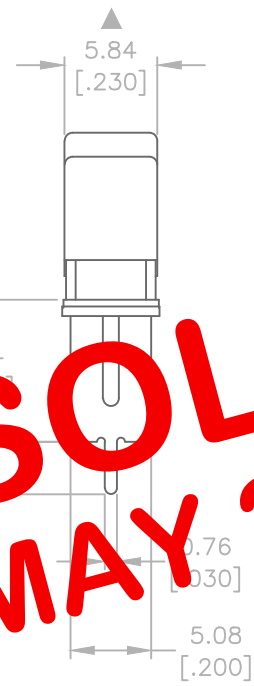


CIRCUIT: SPDT CONTACT CONFIGURATION

| SWITCH FUNCTION | | |
|-----------------|--------|--------|
| POS. 1 | POS. 2 | POS. 3 |
| <DN> | OFF | <UP> |
| 2-3 | OPEN | 2-1 |

<DN> = MOMENTARY

OBSOLETE
MAY 2015



NOTES:

1. ALL DIMENSIONS IN MM [INCH]
2. GENERAL TOLERANCE: X.X=±0.4
X.XX=±0.25
3. TERM. NOS. FOR REFERENCE ONLY.
4. CONTACT RATING: 0.4(VA) MAX. @20VAC OR DC MAX.
- ▲ 5. FIXED TERMINAL & MOVING CONTACT: COPPER ALLOY
W/GOLD PLATE OVER NICKLE PLATE.
6. ELECTRICAL LIFE: 30,000 MAKE-AND-BREAK CYCLES AT FULL LOAD.
7. INSULATION RESISTANCE: 1,000M OHMS MIN.
8. DIELECTRIC STRENGTH: 1,000 V RMS @SEA LEVEL.
9. OPERATING TEMP.: -30°C to 85°C
10. ▲ DENOTES CRITICAL PARAMETER.

E-SWITCH®

| | | | | | |
|-------|-----|--------------------|---------|-----|----|
| TITLE | | 400MSP4R6BLKVS21RE | | | |
| SCALE | 2:1 | DATE | 10/1/03 | DR | AR |
| | | DWG | T414004 | REV | B |

| | | | | |
|------|---------|-------------------------------|----------|------|
| B | 21285 | 8.40 ACTUATOR HEIGHT WAS 8.60 | 10/29/13 | EBP |
| A | 13501 | RELEASED FOR PRODUCTION | 10/1/03 | AR |
| REV. | ECN No. | DESCRIPTION | DATE | CHKD |

THE INFORMATION CONTAINED IN THIS DOCUMENT IS PROPRIETARY TO E-SWITCH AND IS NOT TO BE COPIED OR TRANSFERRED