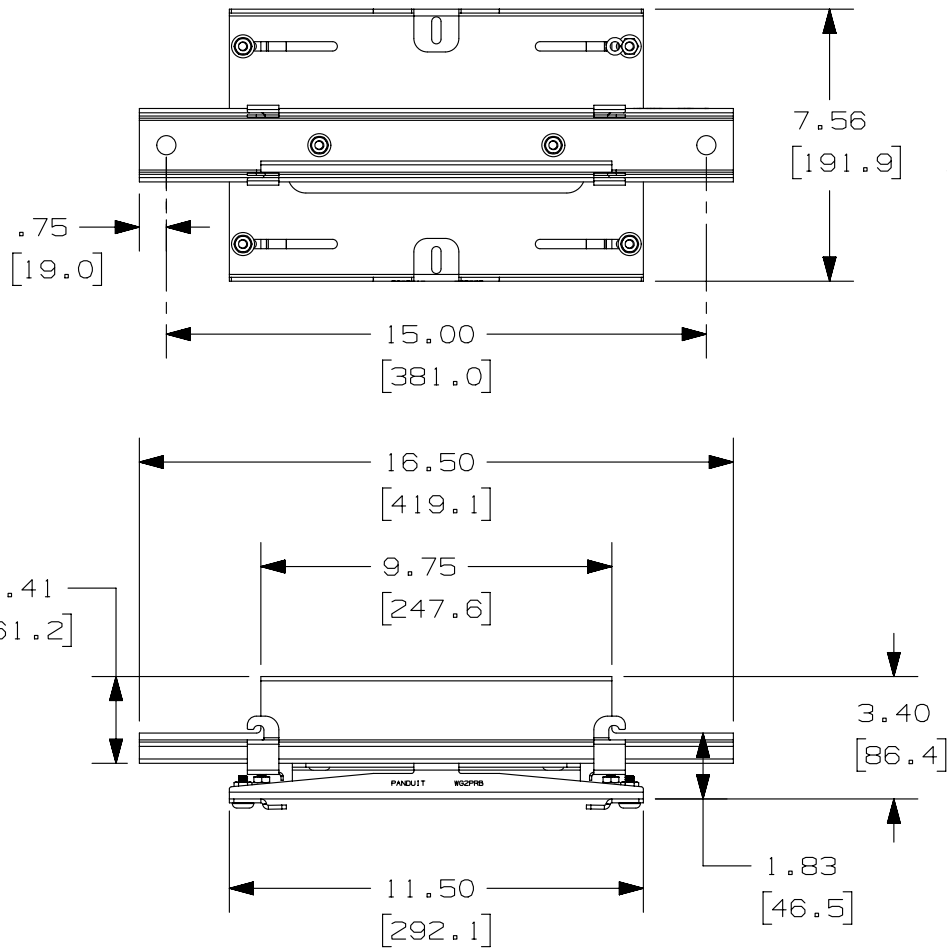


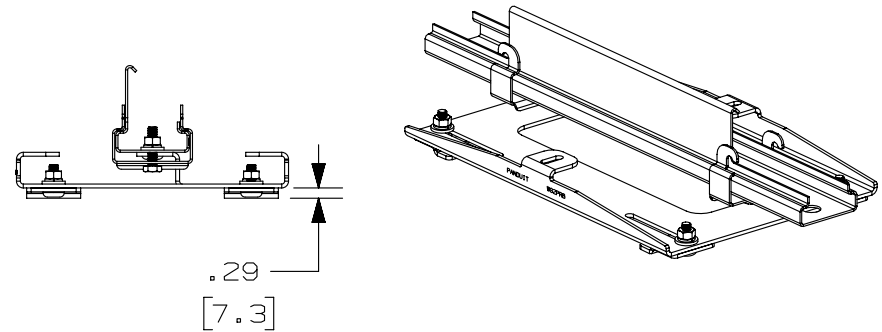
THIS COPY IS PROVIDED ON A RESTRICTED BASIS AND IS NOT TO BE USED IN ANY WAY DETRIMENTAL TO THE INTERESTS OF PANDUIT CORP.



PANDUIT PART NUMBER	WEIGHT
WG2PRB12**	4.85 LB/ EACH (2199.9g/ EACH)

NOTES:

- SEE CURRENT CATALOG FOR ADDITIONAL PART SUFFIXES TO INDICATE PACKAGE QUANTITY.
- THE WYR-GRID RACK MOUNT BRACKET FOR 12" WIDE PATHWAY INCLUDES:
 ONE (1) 12" WYR-GRID TRAPEZE BRACKET ASSEMBLY.
 (CLIPS MAY BE REMOVED)
 ONE (1) WYR-GRID RACK MOUNT BRACKET BASE ASSEMBLY.
 TWO (2) 1/4-20 X .75" ROUND HEAD SQUARE NECK BOLT
 TWO (2) 1/4" SAE FLAT WASHER
 TWO (2) 1/4" HELICAL SPRING LOCKWASHER
 TWO (2) 1/4-20 HEX NUT
- DIMENSIONS IN PARENTHESIS ARE IN METRIC.



REV	DATE	BY	CHK	APR	DESCRIPTION	ECN
1	07-02-13	SSP	DWR	RN	RELEASED TO PRODUCTION	11D221AQ-DC
R	05-03-13	SSP	DWR		DRAWING RELEASED	

TITLE		WYR-GRID RACK MOUNT BRACKET FOR 12" WIDE PATHWAY (WG2PRB12**)	
CUSTOMER DRAWING			
ITEM REVISION NAME		11D221AQ/01	
DATASET FILE NAME		11D221AQ_DC/01B WG2PRB12**	
UNLESS OTHERWISE SPECIFIED, DIMENSIONAL TOLERANCES ARE: IN (mm)		PANDUIT MATERIAL: STEEL	
.X ± .XX ± .03 [.78] .XXX ± ANGLES ± 5 °		DRAWING NUMBER: 11D221AQ-DC	
THIRD ANGLE PROJECTION			
DRAWN BY	DATE	CHK	SCALE
SSP	05-03-13	DWR	NONE
SHT 1 OF 1			SIZE A