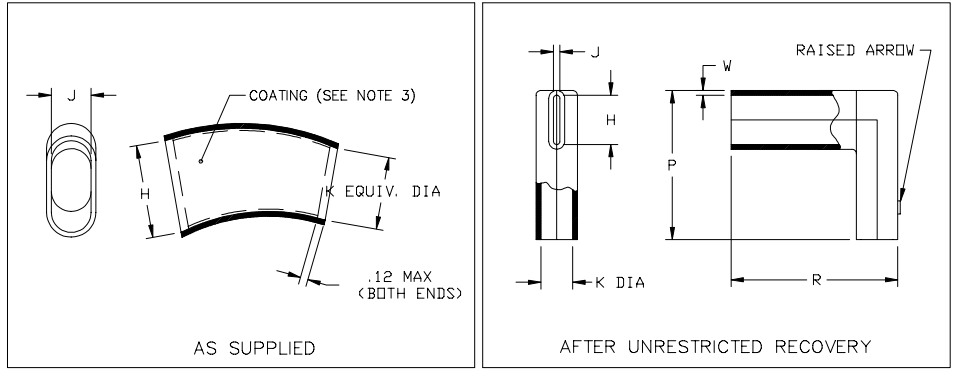


Thermofit[®] Molded Parts Specification Control Drawing

Part Number : 234B1XX
Description : Cover Flag Termination

NOTES

- All dimensions are in $\frac{\text{inches}}{[\text{millimeters}]}$
- Dimensions appearing in table are as follows:
a - As Supplied
b - After Unrestricted Recovery
- Coating is optional. As supplied dimensions appearing in table are for uncoated parts. When coating is added, entry diameters will be reduced by .06 max.



PART NUMBER	H		J		K		P ±10% b	R ±10% b	W ±20% b
	Min a	Max b	Min a	Max b	Min a	Max b			
234B111	.60 [15,2]	.50 [12,7]	.10 [2,5]	.06 [1,52]	.50 [12,7]	.20 [5,1]	1.38 [35,1]	1.72 [43,7]	.05 [1,27]
234B122	.82 [20,8]	.62 [15,7]	.13 [3,3]	.08 [2,03]	.80 [20,3]	.40 [10,2]	1.88 [47,8]	2.10 [53,3]	.06 [1,52]

Raychem

RAYCHEM CORPORATION
300 CONSTITUTION DRIVE
MENLO PARK, CALIFORNIA 94025

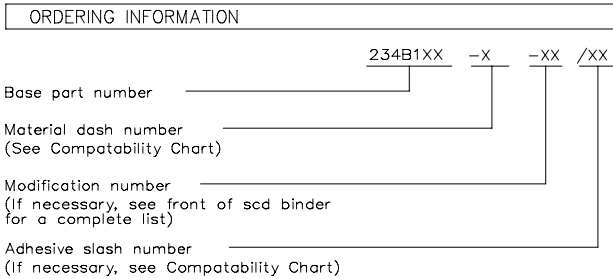
Revision : E
Date : 8/26/98

Part Number : 234B1XX
Description : Cover Flag Termination

Thermofit[®] Molded Parts Specification Control Drawing

Part Number : 234B1XX
Description : Cover Flag Termination

MATERIAL DASH NO.	MATERIAL DESCRIPTION	RT SPEC	COATING SLASH NO.	COATING S NO.	COATING DESCRIPTION
-3	Polyolefin, Semi-rigid	RT-301	/86	S-1048	Adhesive
-25	Elastomer, Fluid Resistant	RT-1325	/86	S-1048	Adhesive



THIS DRAWING IS SUBJECT TO CHANGE WITHOUT NOTICE; CONSULT YOUR
NEAREST FIELD REPRESENTATIVE FOR CURRENT REVISION

If this document is printed it becomes uncontrolled.
Check for the latest revision.

Raychem

RAYCHEM CORPORATION
300 CONSTITUTION DRIVE
MENLO PARK, CALIFORNIA 94025

Revision : E
Date : 8/26/98

Part Number : 234B1XX
Description : Cover Flag Termination

CAD FILE MP98125