


CUSTOMER:
CUSTOMER PN:
GPN: E81D800VNN103MA80T

DRAWING NO.: 963815

ELECTRICAL CRITERIA

CAPACITANCE (120Hz/20°C): 10000 μ F
 CAP.TOLERANCE: $\pm 20\%$
 RATED VDC: 80 V
 SURGE VDC (30 sec): 100 V
 MAX. ESR (120Hz/20°C): 23 m Ω
 MAX. IRMS (120Hz/85°C): 12.6 A
 MAX. DCL (Vdc/5:00/20°C): 3.578 mA

MECHANICAL CRITERIA

MAX. VIBRATION: 10-55Hz 10g

OPERATING CRITERIA

MAX. TEMPERATURE: +105 °C
 MIN. TEMPERATURE: -40 °C
 LOAD LIFE (VDC/105°C): 2000 Hrs
 MAX. Δ CAP. (measured value): $\leq 15\%$
 MAX.ESR δ (specified value): ≤ 1.5 x
 MAX. DCL (Vdc/5:00/20°C): 3.578 mA
 SHELF LIFE (85°C): 500 Hrs
 MAX. Δ CAP. (measured value): $\leq 15\%$
 MAX. ESR δ (specified value): ≤ 1.3 x
 MAX. DCL (Vdc/5:00/20°C): 7.156 mA

IRMS FREQUENCY MULTIPLIERS

VDC	50-60Hz	300-1kHz	>1k
0-50	0.85	1.10	1.15
49-199	0.83	1.15	1.20
200-400	0.80	1.30	1.40

IRMS AMBIENT MULTIPLIERS

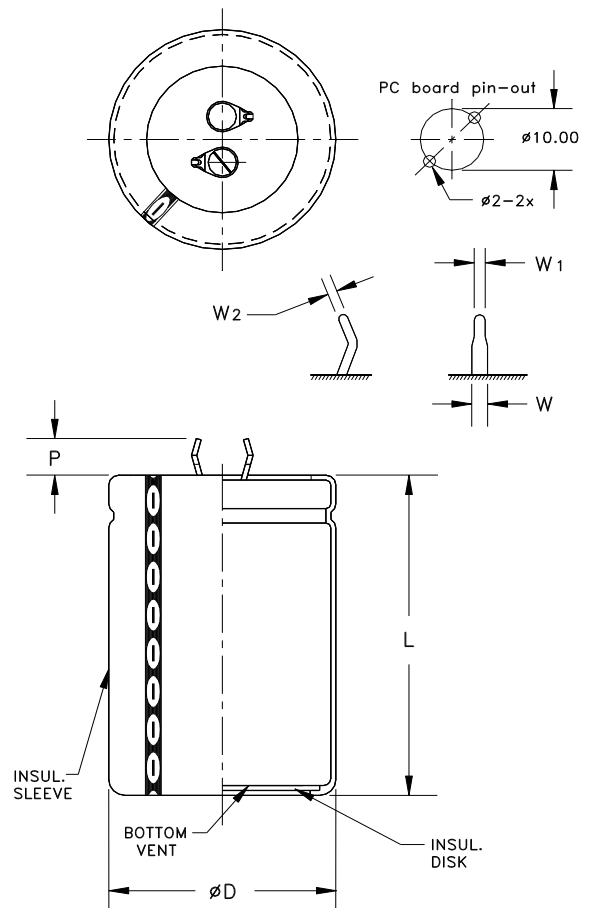
55°C	65°C	75°C	85°C	95°C	105°C
1.50	1.34	1.20	1.00	0.77	0.45

SPECIAL

RoHS Compliant

DIMENSIONAL CRITERIA				
X	mm		in	
	\varnothing D	35.0	- NA	+ 1.0
L	80.0	- 2.0	+ 2.0	
P	5.8	- 1.0	+ 1.0	
W	1.5	- 0.2	+ 0.2	
W1	1.0	- 0.1	+ 0.1	
W2	1.0	- 0.1	+ 0.1	

MARKING	
	81D 105°C
	10000uF(M) 80V
	Date Code



TDS NO.: TDS-06-0351-01
 AUTHOR: TMASH
 DATE: 16-APR-2014