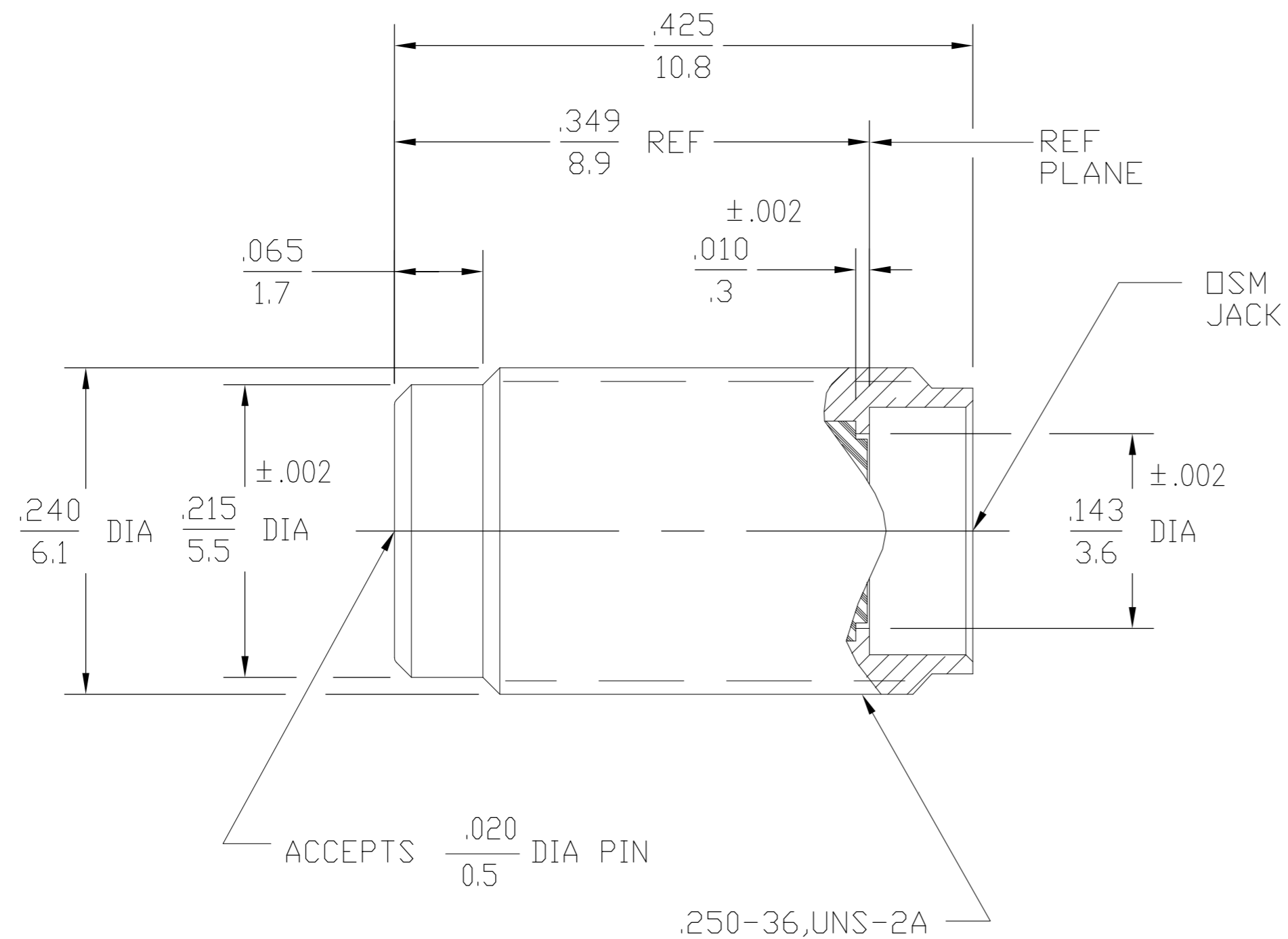


THIS DRAWING IS UNPUBLISHED. RELEASED FOR PUBLICATION
 © COPYRIGHT BY TYCO ELECTRONICS CORPORATION. ALL RIGHTS RESERVED.

LOC		DIST		REVISIONS					
AJ		00		P	LTR	DESCRIPTION	DATE	DWN	APVD
				B		REV PER ECO 07-004710	3/15/2007	DW	KW



NOTES:
 1. CAPTURED CENTER CONTACT

.XXX = in
 XX.X = mm

DESIGN CONTROL REQUIRED

1046226-1
 PART NUMBER

DIELECTRIC	TFE FLUOROCARBON PER ASTM-D-1457	N/A
CENTER CONTACT HOUSING	BERYLLIUM COPPER PER ASTM-B-196 OR ASTM-B-197, ALLOY C17300, OR BRASS PER ASTM-B-16	GOLD PLATE PER MIL-G-45204
COMPONENT	MATERIAL	FINISH

THIS DRAWING IS A CONTROLLED DOCUMENT.		DWN RMF 2/1/95	tyco Tyco Electronics Corporation	
DIMENSIONS: INCHES		CHK -	Harrisburg, PA 17105-3608	
TOLERANCES UNLESS OTHERWISE SPECIFIED:		APVD RMF 2/1/95	NAME	
0 PLC ± -	1 PLC ± -	PRODUCT SPEC	OSM PANEL FEEDTHROUGH JACK RECEPTACLE-SOCKET TERMINAL	
2 PLC ± -	3 PLC ± .005	APPLICATION SPEC	SIZE	RESTRICTED TO
4 PLC ± -	ANGLES ± 1°	WEIGHT -	A2 00779	-
MATERIAL -	FINISH -	CUSTOMER DRAWING	CAGE CODE	DRAWING NO
		SCALE 8:1	00779	1046226
		SHEET 1 of 1	REV B	