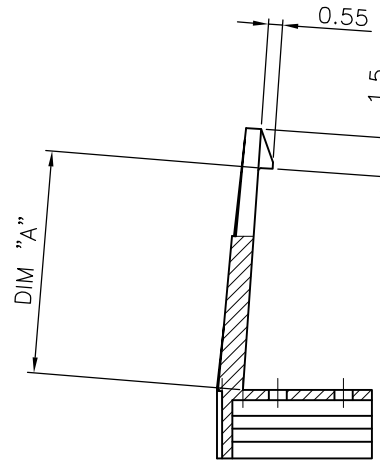


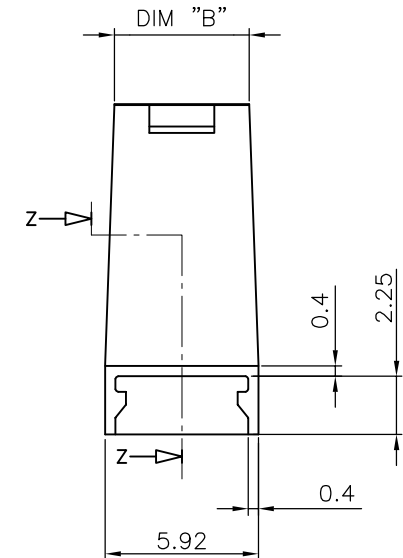
PRODUCT NUMBER
67026-OXXLF

RoHS COMPATIBLE, SEE NOTE 3

STYLE	DIM "A"	DIM "B"
01	8.60	5.24
02	14.07	4.80

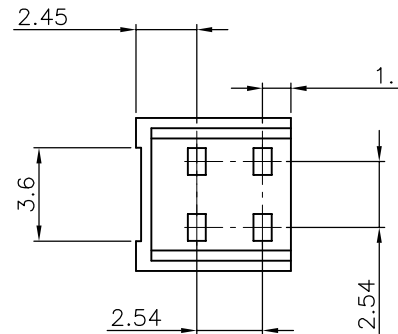


SECTION Z-Z



NOTES :

1. MATERIAL : NYLON 6/6, 25% GLASSFIBER
FLAMMABILITY PER UL-94-V0.
COLOUR : BLACK
2. FOR LATCH APPLIATION SEE TA 339
3. RoHs COMPATIBLE PRODUCT
 - a - LABELLING:
- MEETS PACKAGING SPECS AS PER GS-14-920
 - b - LEGAL STATEMENT : SEE GS-47-0004
 - c - THE PRODUCT IS NOT INTENDED TO BE EXPOSED
TO MANUFACTURING SOLDER PROCESS
 - d - PRODUCT MEETS WITH EU 2002/EG/95



mat'l. code		surface		tolerance		projection		product family	
SEE NOTES		ISO 1302		ISO 406 ISO 1101				BERGSTIK	
ltr	ecn no	dr	date	tolerances unless otherwise specified		mm		title	
C	F05-0256	LMU	05.10.11	angles	linear	.x	±0.30	DR BERGCON BERGSTIK LATCH	
D	F06-0236	LMU	06.07.17			.xx	±0.15		
E	F07-0175	LMU	07.04.12			.xxx	±0.05	dwg no	
F	B-19262	LMU	14.10.31	dr	L.MULIN	05.09.21		sheet 1 of 1 size	
G	B-19924	BVE	15.01.08	engr	J.COMPAGNON	05.09.21		67026 A3	
				chr				type	
				appd	JM.C	05.09.21		CUSTOMER Drawing	
sheet	revision								
index	sheet								