
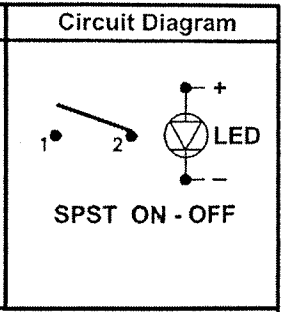
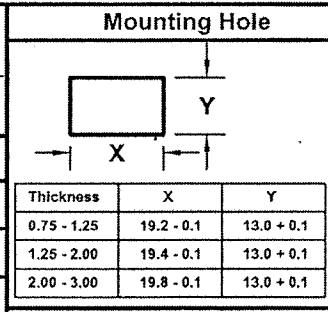
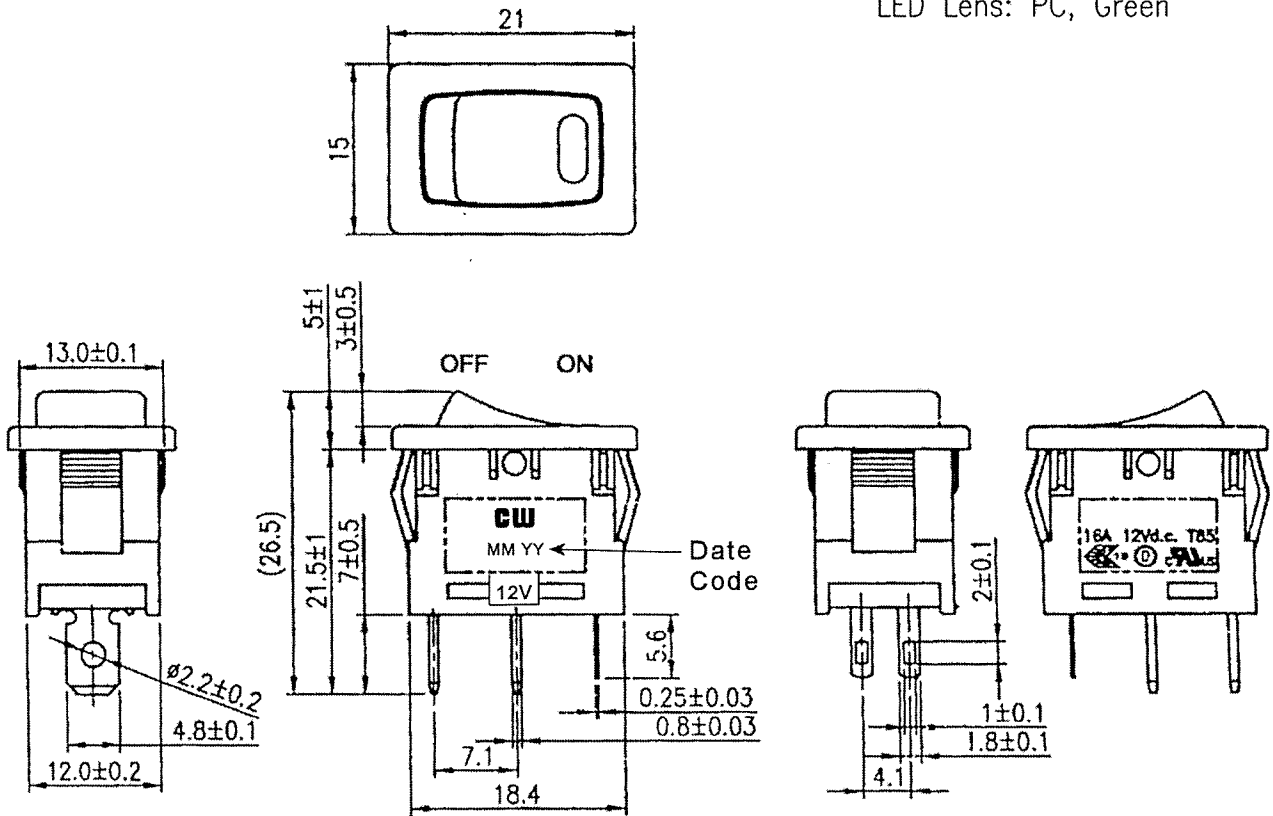


THIS INFORMATION IS CONFIDENTIAL AND PROPRIETARY TO CW INDUSTRIES INCORPORATED AND ITS AFFILIATES. IT MAY NOT BE DISCLOSED TO ANYONE, OTHER THAN CW INDUSTRIES PERSONNEL, WITHOUT WRITTEN AUTHORIZATION FROM CW INDUSTRIES INCORPORATED, SOUTHAMPTON, PENNSYLVANIA USA.

Rating	16A. 12V DC	
	20A 12VDC 14V	
Contact Resistance	50m ohm max.	
Insulation Resistance	DC 500V 100M ohm min.	
Dielectric Strength	AC 1500V 1 minute	
Operating Temperature	-20°C ~ 85°C	
Switch Function	4P SPST ON-OFF LED Independent	
Lamp Type	LED Green @ 20mA, If=2.2VDC No Resistor	



Material:
 Frame: Nylon#66, Black
 Actuator: Nylon#66, Black
 LED Lens: PC, Green



Tolerances Unless Otherwise Specified +/- 0.3mm.

RoHS Compliant

3 Updated ratings & views. 2-21-13.

cw INDUSTRIES
 Southampton, Pa. 18966
 Tel 215.355.7080/www.cwind.com

Date Drawn: 12/17/09

Rev.

Unit: mm

Checked By: *G. Guld*

Title:
ROCKER SWITCH

CW P/N:
GRB066L02BBGGL1