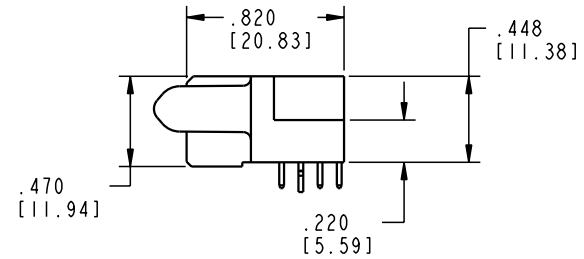
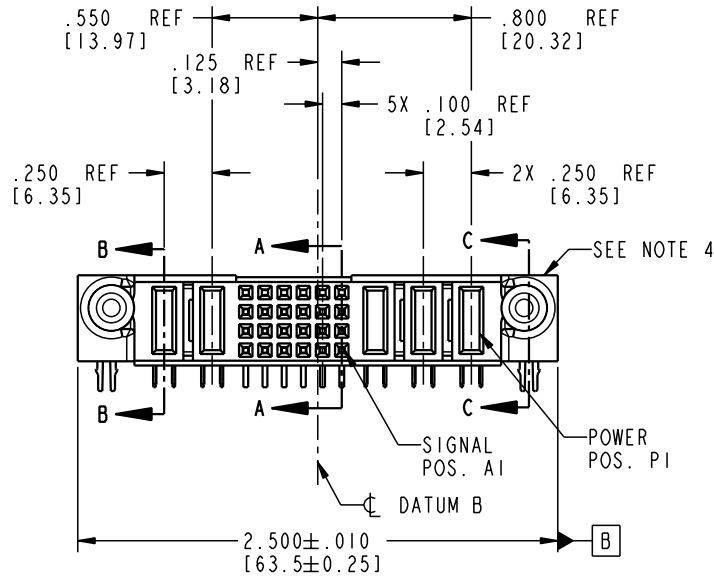
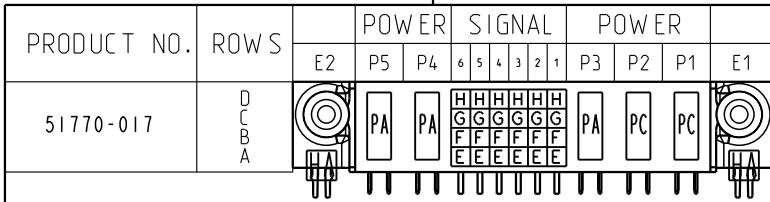


Tous droits strictement réservés. Reproduction ou communication o des liers interdite sous quelque forme que ce soit sans autorisation écrite du propriétaire. Propriete de c FCI. Droits de reproduction FCI.

All rights strictly reserved. Reproduction or issue to third parties in any form whenever is not permitted without written authority from the proprietor. Property of FCI. Copyright FCI.



CODE	DIM "M" MATING LENGTH	CONTACT TYPE
E	N/A [N/A]	SIGNAL
F	N/A [N/A]	SIGNAL
G	N/A [N/A]	SIGNAL
H	N/A [N/A]	SIGNAL
PA	.042 [1.07]	POWER
PC	.092 [2.34]	POWER
HA	N/A [N/A]	HOLD-DOWN

mat'l code SEE NOTE 2				tolerances unless otherwise specified		CUSTOMER		 www.fciconnect.com				
ltr	ecn no.	dr	date	linear	.XX±.01/0.X±0.3	COPY		 INCH/MM	title 3P + 24S + 2P R/A SOLDER RECEPTACLE			
A	V04-0557	TAB	05/27/04		.XXX±.005/0.XXX±0.13	projection				product family	code	
					angles	.XXX±.0020/0.XXX±0.051	 scale 1:1			PwrBlade	213	
					dr	0°±2°				size	sheet	
				engr				dwg no	of 4			
				chr	T. BRUNGARD 05/27/04			A	51770-017			
				appd	M. GRAY 05/27/04							
					M. GRAY 05/27/04							
sheet index	revision sheet	A	A	A	A							
		1	2	3	4							

Pro/E

cage code 22526

PDM: Rev:A

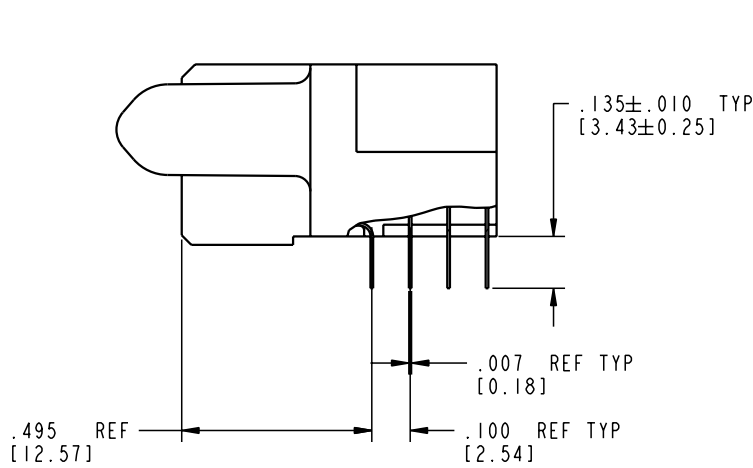
STATUS: Released

Printed: Dec 20, 2010

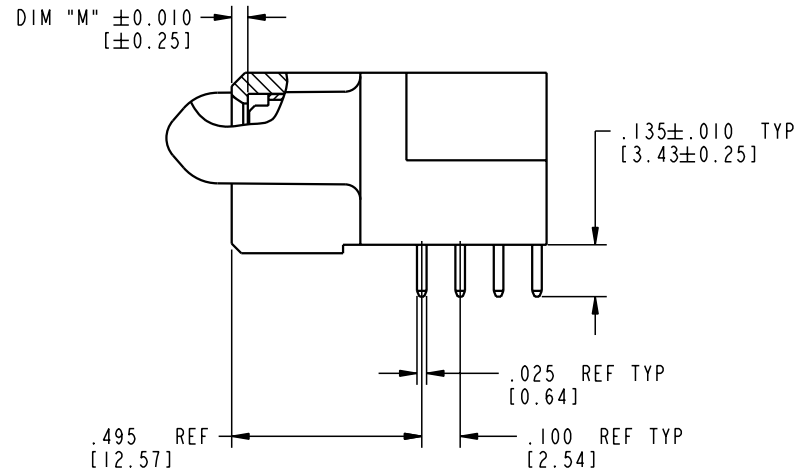
Tous droits strictement réservés. Reproduction ou communication o des liens interdite sous quelque forme que ce soit sans autorisation écrite du propriétaire. Propriété de c FCI. Droits de reproduction FCI.

All rights strictly reserved. Reproduction or issue to third parties in any form, whatever is not permitted without written authority from the proprietor. Property of FCI. Copyright FCI.

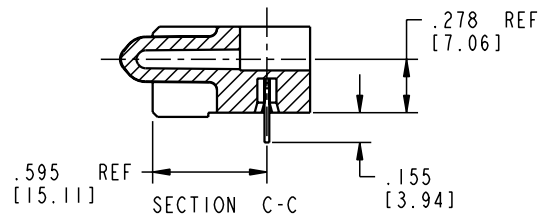
PRODUCT NUMBER
51770-017



BROKEN-OUT SECTION A-A
SCALE 2:1



BROKEN-OUT SECTION B-B
SCALE 2:1



SECTION C-C

mat'l code				SEE NOTE 2		tolerances unless otherwise specified		CUSTOMER		 www.fciconnect.com	
ltr	ecn no.	dr	date	linear	.XX±.01/0.X±0.3		COPY		 title 3P + 24S + 2P R/A SOLDER RECEPTACLE		
A					.XXX±.005/0.XX±0.13		projection				
					angles	.XXX±.0020/0.XXX±0.051		 INCH/MM			
				dr		T. BRUNGARD	05/27/04	product family		PwrBlade	code
				engr	M. GRAY	05/27/04	size		dwg no	sheet	
				chr	M. GRAY	05/27/04	scale		A 51770-017		2 of 4
				appd	M. GRAY	05/27/04	1:1				
sheet index		revision sheet									

Pro/E

cage code 22526

PDM: Rev:A

STATUS: Released

Printed: Dec 20, 2010

Tous droits strictement réservés. Reproduction ou communication o des tiers interdite sous quelque forme que ce soit sans autorisation écrite du propriétaire. Propriété de c FCI. Droits de reproduction FCI.

A
FCI

All rights strictly reserved. Reproduction or issue to third parties in any form whatever is not permitted without written authority from the proprietor. Property of FCI. Copyright FCI.

B

PRODUCT NUMBER
51770-017

NOTES:

1. DIMENSIONS AND TOLERANCES ARE IN ACCORDANCE WITH ASME Y14.5M, 1994 UNLESS OTHERWISE SPECIFIED.

CONNECTOR NOTES:

- 2. HOUSING MATERIAL: UL 94 V-0 GLASS FILLED
HIGH-TEMP THERMOPLASTIC
POWER CONTACT MATERIAL: COPPER ALLOY
SIGNAL PIN MATERIAL: COPPER ALLOY
- 3. PLATING:
SIGNAL PINS: 30u"/0.76um Au OVER 50u"/1.27um Ni
POWER CONTACTS: 50u"/1.27um Ni UNDER ALL
WITH 30u"/0.76um Au ON CONTACT AREA
AND SnPb ON PCB INTERFACE
- 4. MANUFACTURER'S NAME, P/N, AND DATE CODE TO APPEAR ON THIS SURFACE.
- 5. PRODUCT SPECIFICATION GS-12-149.
APPLICATION SPECIFICATION BUS-20-067.

6. PACKAGED IN TRAYS.

PCB NOTES:

- 7. ALL HOLE DIAMETERS ARE FINISHED HOLE SIZE.
- 8. MOUNTING HOLES, WHERE APPLICABLE, ARE UNPLATED.
- 9. $\varnothing .0453 \pm .0010$ [1.151 \pm 0.025] DRILLED HOLES PLATED WITH .0003 [0.008] MIN SnPb OVER .001 [0.03] TO .003 [0.08] Cu PLATING TO ACHIEVE $\varnothing .040 \pm .003$ [1.02 \pm .07] HOLE.
- 10. "DIM XXX" TO BE DETERMINED BY THE CUSTOMER.
- 11. CONNECTOR KEEP-OUT ZONE.

mat'l code		SEE NOTE 2		tolerances unless otherwise specified		CUSTOMER		A FCI www.fciconnect.com	
ltr	ecm no.	dr	date	linear	.XX±.01/0.X±0.3	COPY		title	
A					.XXX±.005/0.XX±0.13	projection		3P + 24S + 2P	
				angles	.XXX±.0020/0.XXX±0.051			R/A SOLDER RECEPTACLE	
				dr	T. BRUNGARD 05/27/04	INCH/MM		product family	
				enr	M. GRAY 05/27/04	scale		PwrBlade	
				chr	M. GRAY 05/27/04	1:1		code	
				appd	M. GRAY 05/27/04			213	
sheet index		revision sheet						size	
								dwg no	
								A 51770-017	
								sheet	
								4 of 4	

A

B

1 | 2

3 |

4

1 | 2

Pro/E

3 |

cage code 22526

4

PDM: Rev:A

STATUS: **Released**

Printed: Dec 20, 2010