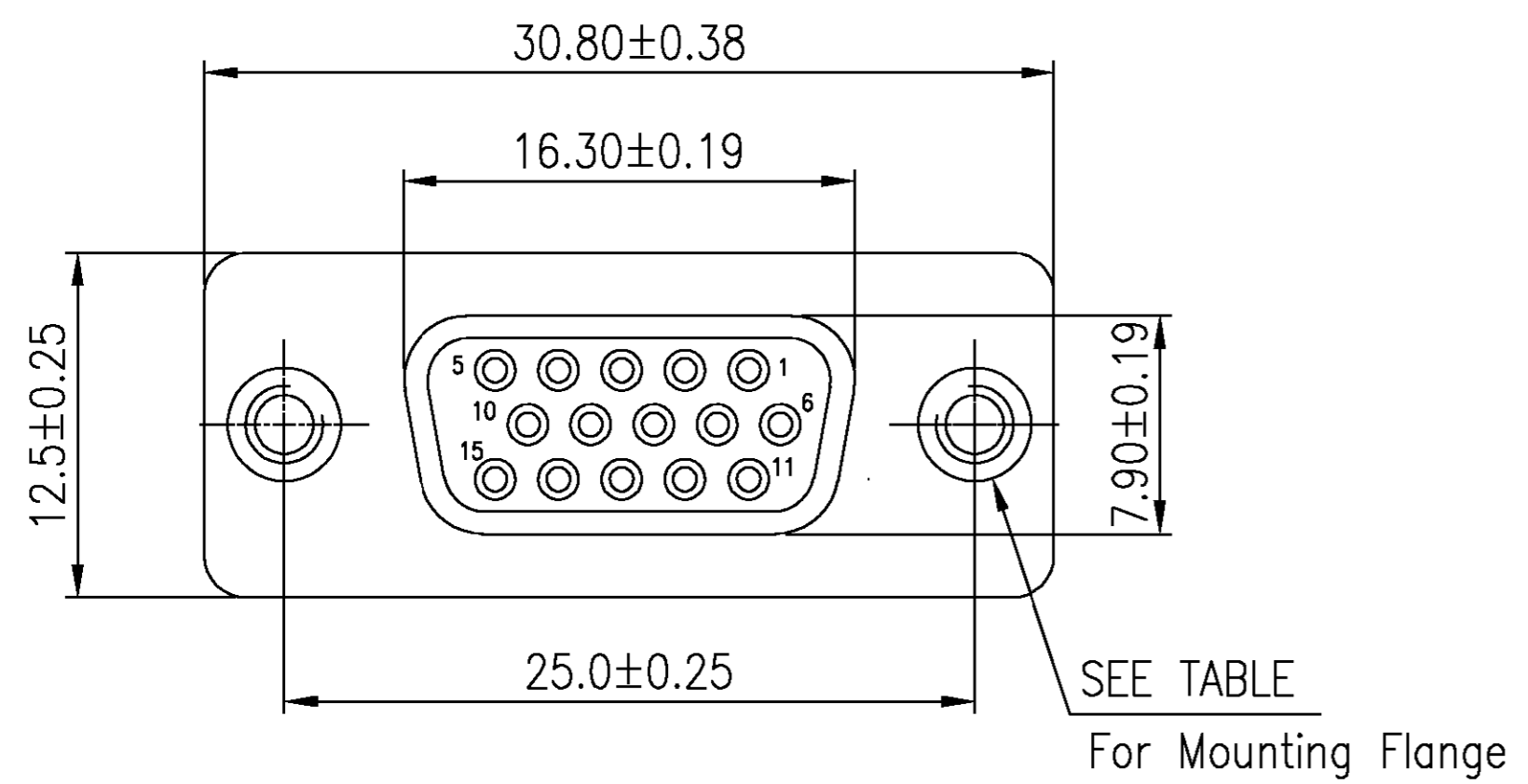
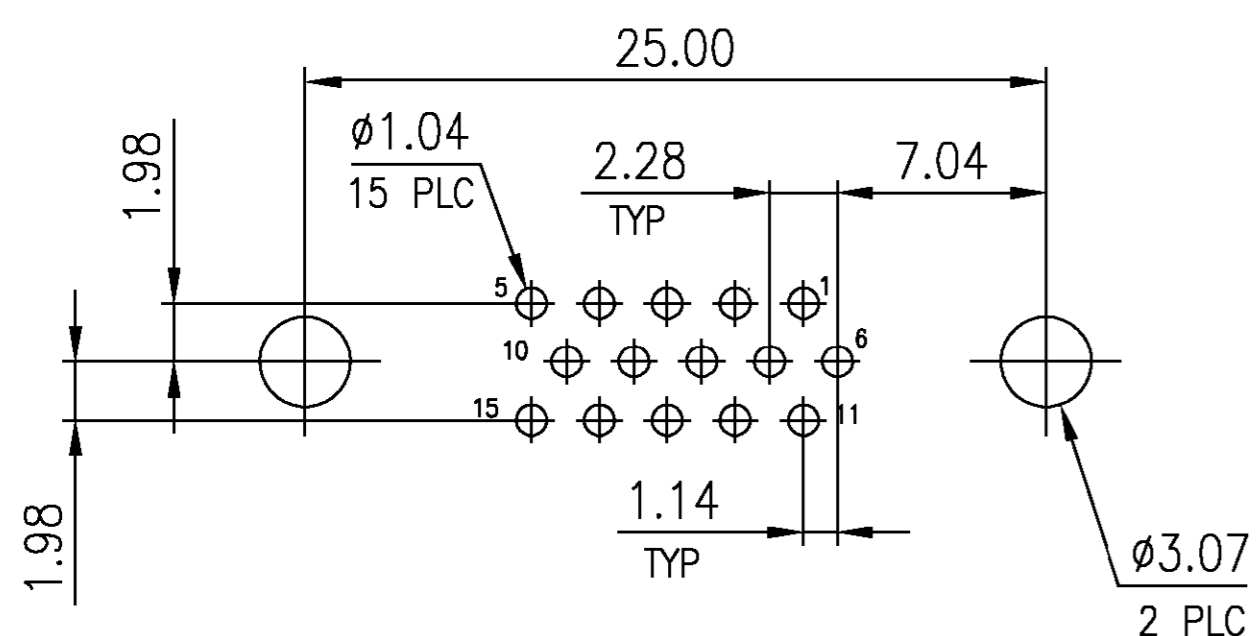
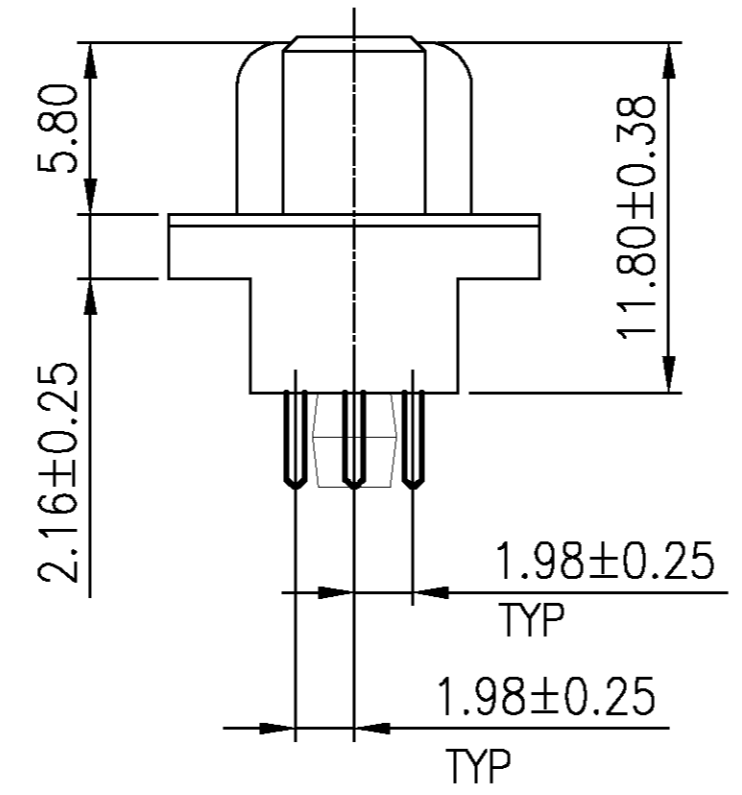
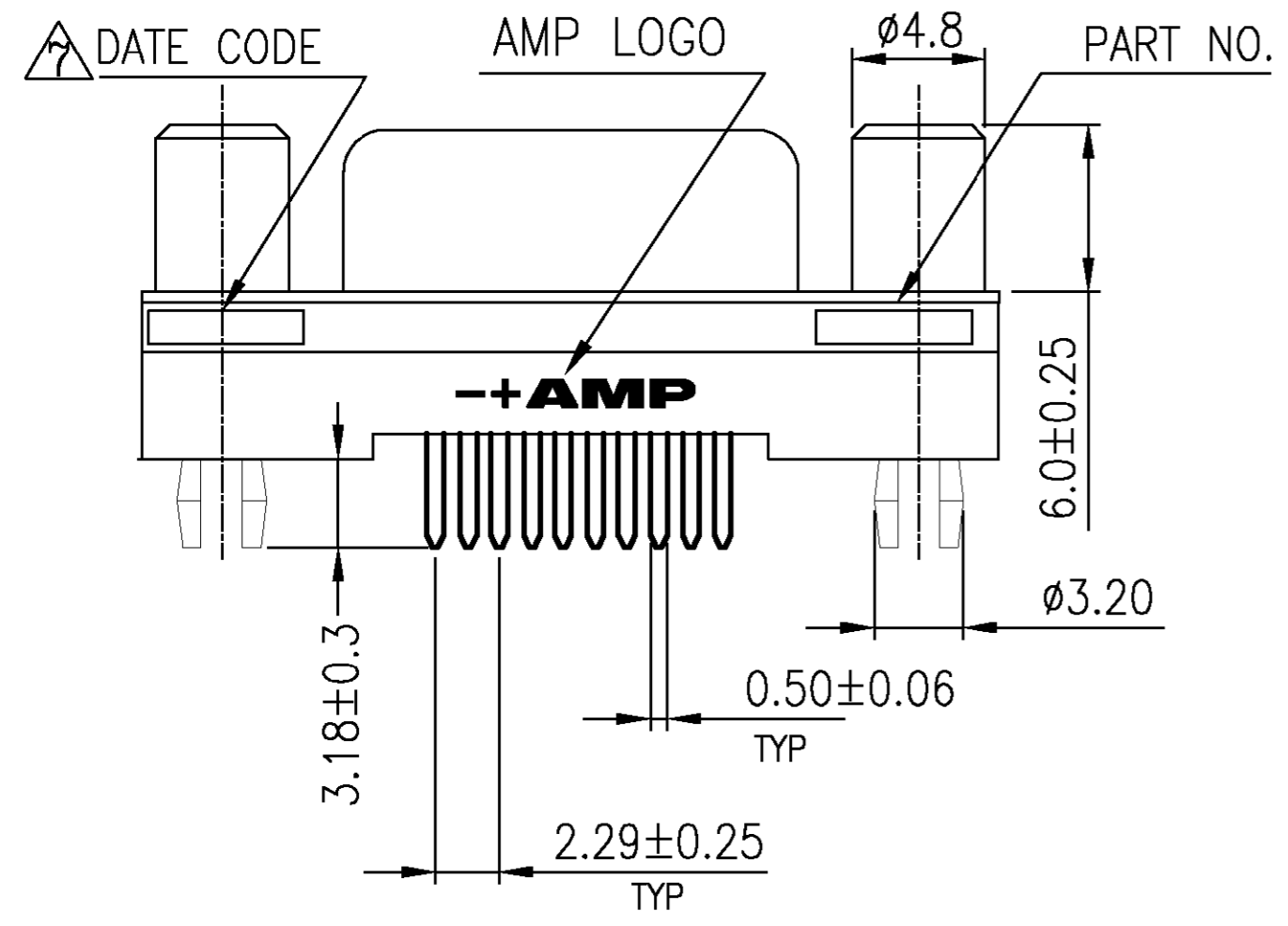
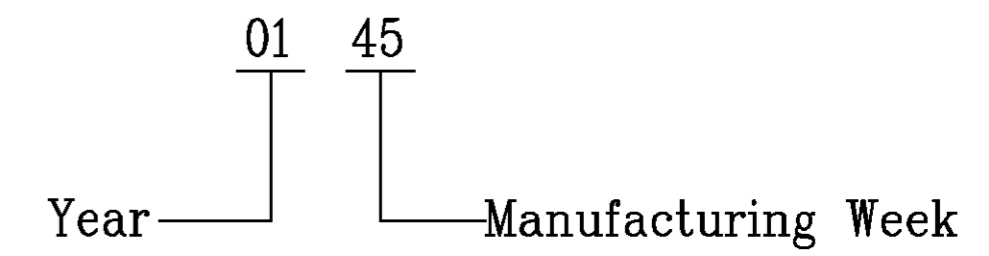


LOC	DIST	REVISIONS			
P	LTR	DESCRIPTION	DATE	DWN	APVD
GP	0	E	REVISED PER OS13-0232-02	12JULY02	JB CC



MATERIAL:

- Housing: PBT , 30 % G.F polyester, Black. (UL 94V-0 Rated)
 - Contact: Phos. Bronze.
 - Contact Plated: 30u"Gold Plated over 50u" Nickel underplated.
 - Solder Tail: Sn/Pb Plated 120u" over 50u" Nickel underplated.
 - Shell: Steel, Nickel Plated.
 - Rivet: Brass, Nickel plated 30u" Min.
- △ Four digit date code in this format.



RECOMMENDED PCB LAYOUT

Tray	Gold Flash	Detail A	786382-4
Tray	15 μ"	Detail A	786382-3
Tray	30 μ"	Detail A	786382-1
Packaging	Contact Finish	Mounting Configuration	AMP Part NO.

THIS DRAWING IS A CONTROLLED DOCUMENT.		DWN J.BURWELL 22APR02	Tyco Electronics Corporation	
DIMENSIONS: MM		CHK C.CASH 22APR02	AMPLITE HD-22, 15 POS RECEPTACLE, VERTICAL	
TOLERANCES UNLESS OTHERWISE SPECIFIED:		APVD	RESTRICTED TO	
0 PLC	± -	PRODUCT SPEC	SIZE	CAGE CODE
1 PLC	± 0.30	APPLICATION SPEC	A2	00779
2 PLC	± 0.20	WEIGHT	DRAWING NO. 786382	
3 PLC	± 0.10	CUSTOMER DRAWING	SCALE 4:1 SHEET 1 OF 1 REV E	
4 PLC	± - ± Z			
ANGLES	± - ± Z			