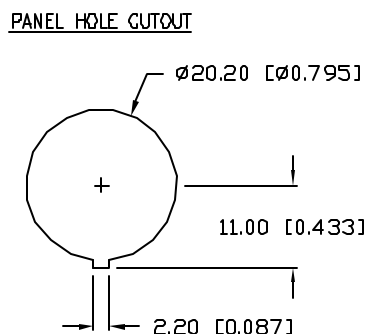
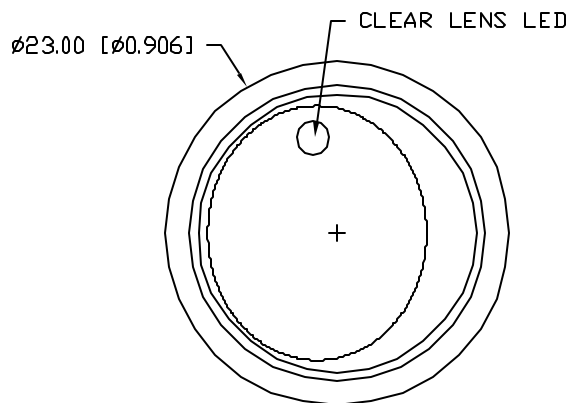
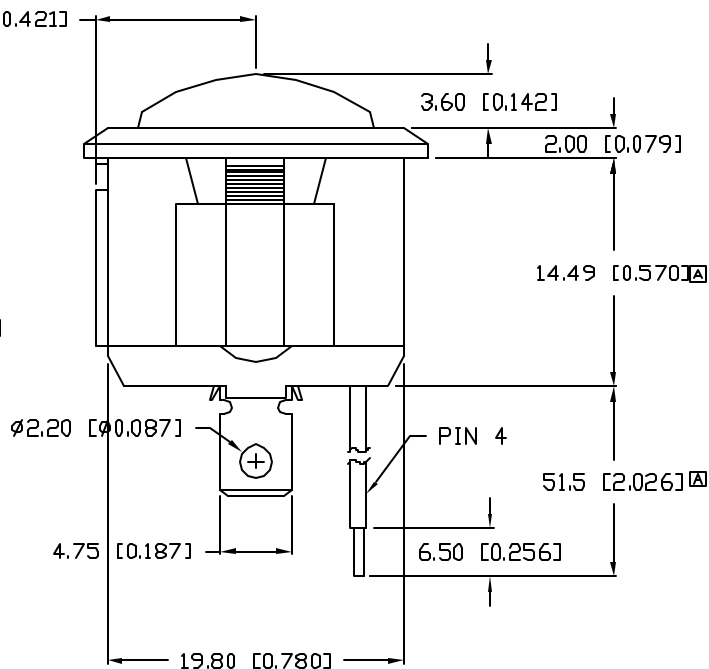
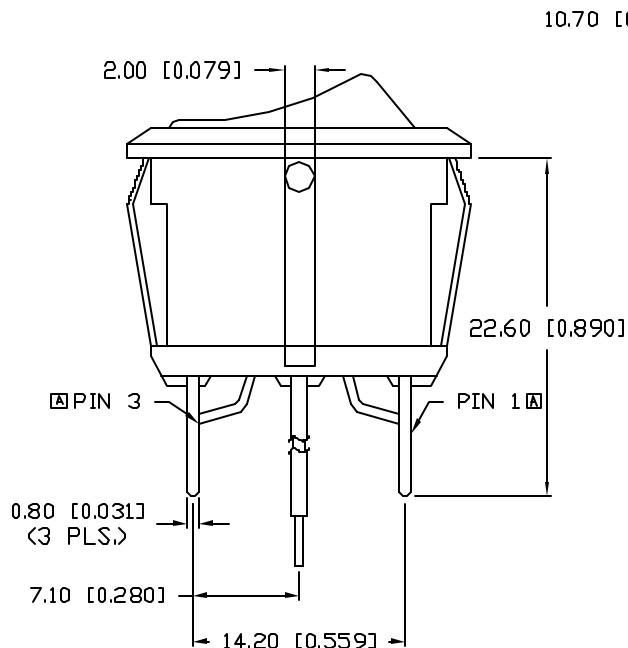


UNCONTROLLED DOCUMENT

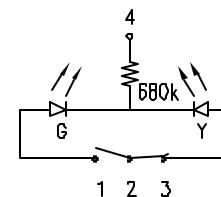
PART NUMBER		REV.
CLS-RC12E12190YG		B
REV.	E.C.N. NUMBER AND REVISION COMMENTS	DATE
A	E.C.N. #11267.	8.18.05
B	E.C.N. #11148.	12.08.06



CHARACTERISTICS	
RATING	20A AT 12VDC
LED COLOR	YELLOW AND GREEN
CIRCUIT OPERATION	SPDT
NO. OF PINS	4
SWITCH OPERATION	ON-ON



INTERNAL CIRCUIT



UNCONTROLLED DOCUMENT

*UNLESS OTHERWISE SPECIFIED TOLERANCES PER DECIMAL PRECISION ARE: X=±1 (±0.039), X.X=±0.5 (±0.020), X.XX=±0.25 (±0.010), X.XXX=±0.127 (±0.005). LEAD SIZE=±0.05 (±0.002), LEAD LENGTH=±0.75 (±0.030). MIN.=^{+0.00}-0.00 DECIMAL PRECISION MAX.=^{+0.00}-0.00 DECIMAL PRECISION

REV.	PART NUMBER	CONFIDENTIAL INFORMATION		290 E. HELEN ROAD	
B	CLS-RC12E12190YG	THE INFORMATION CONTAINED IN THIS DOCUMENT IS THE PROPERTY OF LUMEX INC. EXCEPT AS SPECIFICALLY AUTHORIZED IN WRITING BY LUMEX INC, THE HOLDER OF THIS DOCUMENT SHALL KEEP ALL INFORMATION CONTAINED HEREIN CONFIDENTIAL AND SHALL PROTECT SAME IN WHOLE OR IN PART FROM DISCLOSURE AND DISSEMINATION TO ALL THIRD PARTIES.		PALATINE, IL 60067-6976	
20A, 12VDC TWO POSITION LED SWITCH, PANEL MOUNT, YELLOW AND GREEN LEDS.		RELIABILITY NOTE OUR MANY YEARS OF EXPERIENCE DATA ACCUMULATION INDICATE THAT SOLDER HEAT IS A MAJOR CAUSE OF EARLY AND FUTURE FAILURE. PLEASE PAY ATTENTION TO YOUR SOLDERING PROCESS.		PHONE: +1.847.359.2790	
		DRAWN BY: JC		US WEB: www.lumex.com	
		CHECKED BY:		TW WEB: www.lumex.com.tw	
		APPROVED BY:		DATE: 12.08.06	
				PAGE: 1 OF 1	
				SCALE: N/A	