

DO NOT SCALE DRAWING
DIMENSION IN METRIC

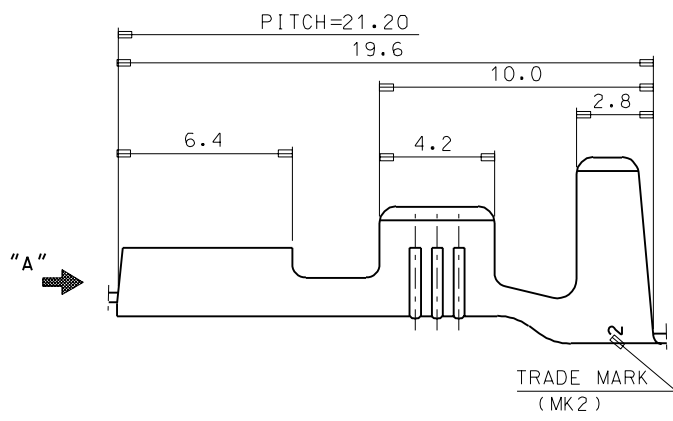
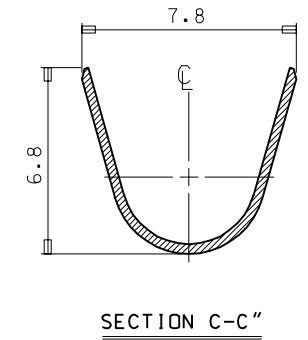
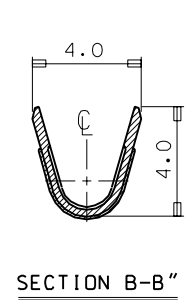
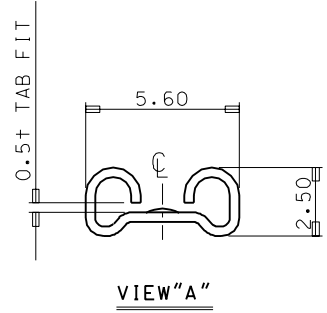
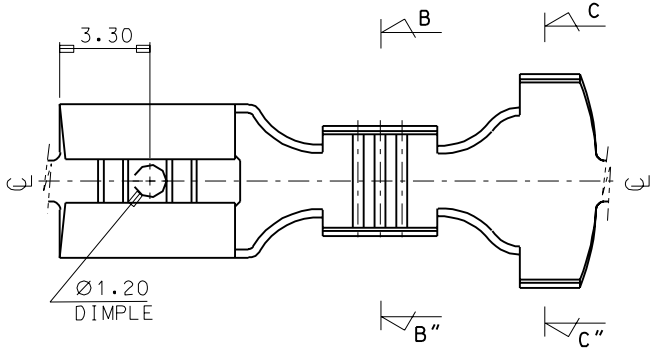
ENG. NO
SD 35718-15*0

EDP NO.

SIMILAR ITEM

PROJECT NO.

8
7
6
5
4
3
2
1



- NOTES
1. MATERIAL: BRASS , 0.35THICKNESS
 2. FINISH: 35718-1500: UNPLATED
35718-1510: POST-TIN PLATED
 3. RECOMMENDED LENGTH OF WIRE STRIP IS 6.2-6.7

ASS'Y PART		QTY/REEL OR PACK	SURFACE AREA	MATERIAL	WIRE RANGE	GENERAL TOLERANCES	molex MOLEX-KOREA CO.,LTD.			
DESCRIPTION	ENG.NO.	4,000 0'ty / reel	MM ²	SEE NOTES	AWG: #14 MM ² : -#10	DIM. : ±0.30 ANGLE : ±0.20				
				DIMENSION CLASSIFICATION	INSULATION RANGE	TITLE: .187 SLIP-ON RECEPTACLE(L)	1 of 1			
				<input checked="" type="checkbox"/> : CRITICAL <input type="checkbox"/> : MINOR <input type="checkbox"/> : REFERENCE	∅ 4.4-5.3	REVISION RECORD	REV A			
A	CAD REDRAWING	93-011	93.5.24	DRAWN BY W.Y. YANG	CHK'D BY B.K. CHOI	ENG. NO. SD 35718-15*0				
LTR	REVISION RECORD	ECN	DR/CHK	DATE	DIE FEED	APPL FEED	WBDW	IBDW	APP'D BY	SCALE 6:1