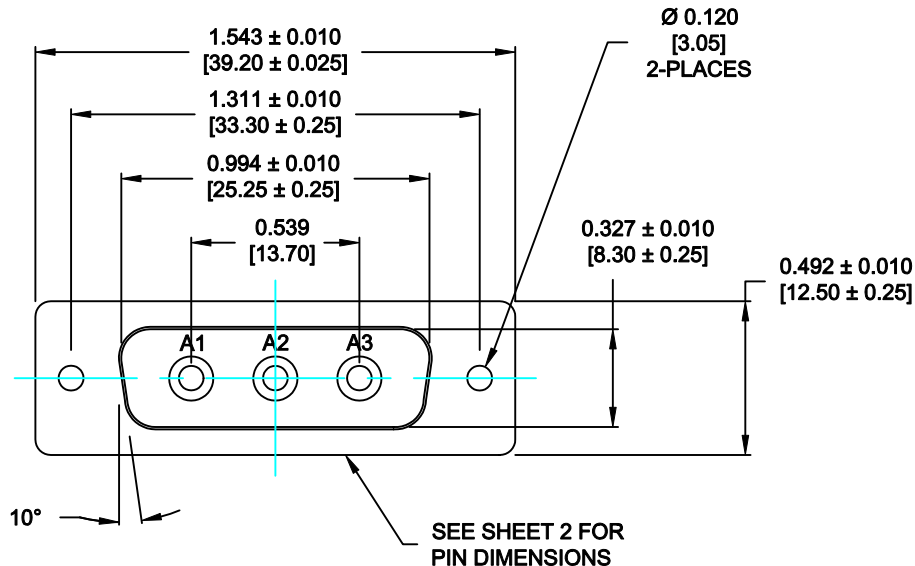
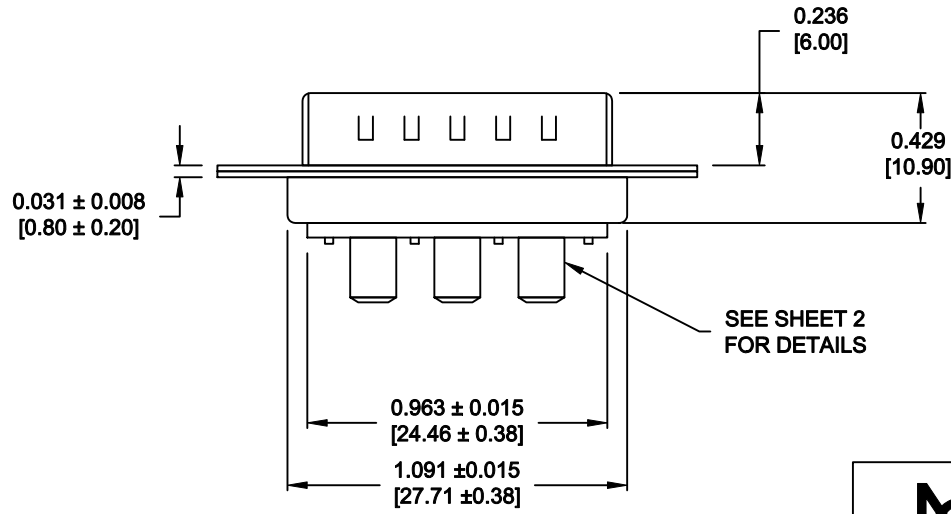


DESCRIPTION: POWER - VERTICAL BOARD - MALE - MACHINED



SPECIFICATIONS:

- ELECTRICAL:**
 INSULATOR RESISTANCE: 5 G OHMS Min.
 DIELECTRIC WITHSTANDING: 1,000VAC r.m.s.
 OPERATING TEMPERATURE: -55° C ~ +155° C
 CONTACT RESISTANCE: 1.0 Milliohms Max.
 POWER PINS: 40 AMPS
- MECHANICAL:**
 CONTACT INSERTION FORCE: 4.5 Kg Max.
 CONTACT SEPARATOR FORCE: 0.3Kg Min.
- MATERIALS:**
 CONTACTS: COPPER ALLOY
 INSULATOR: PBT UL94V-0 RATED, BLK 230°C PROCESS TEMP.
 SHELL: STEEL
 SEAL: F08 FLEXIBLE ADHESIVE
- FINISH:**
 SHELL: NICKEL
 CONTACTS: FULL GOLD FLASH




681S3W3103L001

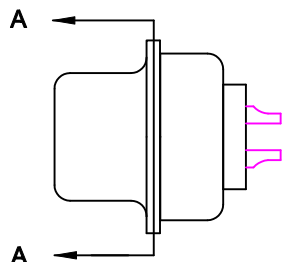
00 = 40 AMPS

MEETS IP67 STANDARDS
 (SEE PAGE 2 FOR SEALING DETAILS)

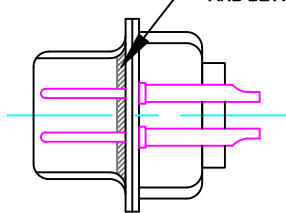
RoHS COMPLIANT

	THESE DRAWINGS AND SPECIFICATIONS ARE THE PROPERTY OF NorComp AND SHALL NOT BE REPRODUCED, COPIED OR USED AS THE BASIS FOR THE MANUFACTURE OF SALE OF APPARATUS WITHOUT WRITTEN PERMISSION.		DRAWN: P. JENKINS	DATE: 09-13-11
			CHECKED: X	DATE: X
NorComp		SCALE: N.T.S.	SHEET 1	OF 2
		DWG NO. 681S3W3103L001		

DESCRIPTION: 681 SERIES CONTACTS

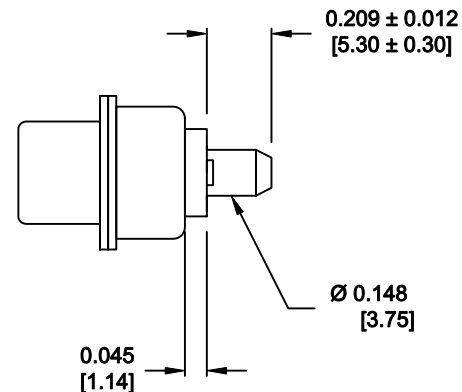


FRONT SEAL APPLIED OVER INSULATOR AND BETWEEN FRONT & REAR SHELLS

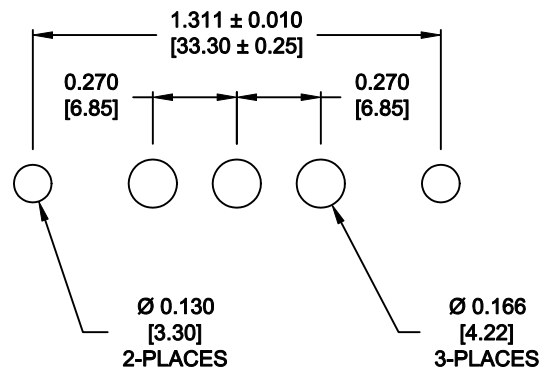


DETAIL A-A
SHOWN FOR REFERENCE ONLY

NOTE: POWER CONTACTS COME PRE-LOADED INTO INSULATORS



40 AMP POWER CONTACTS



RECOMMENDED PCB LAYOUT
(TOLERANCE ± 0.002 [0.05])



THESE DRAWINGS AND SPECIFICATIONS ARE THE PROPERTY OF NorComp AND SHALL NOT BE REPRODUCED, COPIED OR USED AS THE BASIS FOR THE MANUFACTURE OF SALE OF APPARATUS WITHOUT WRITTEN PERMISSION.

DRAWN: P. JENKINS

DATE: 09-13-11

CHECKED: X

DATE: X

SCALE: N.T.S.

SHEET 2 OF 2

REV 0

DWG NO. 681S3W3103L001

RoHS COMPLIANT

NorComp