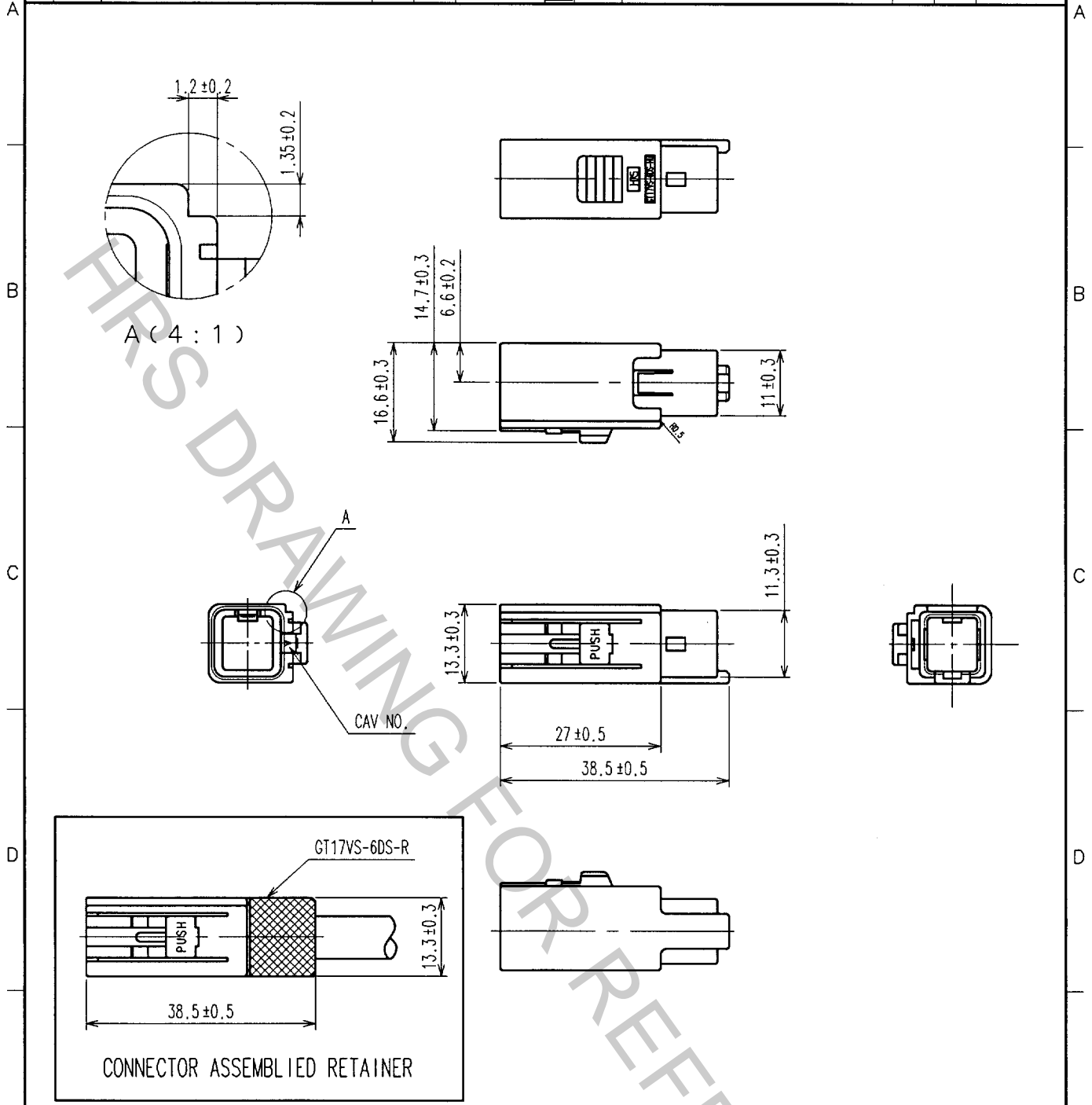


1	2			3			4		
COUNT	DESCRIPTION OF REVISIONS	BY	CHKD	DATE	COUNT	DESCRIPTION OF REVISIONS	BY	CHKD	DATE
△					△				
△					△				
△					△				



NOTE1. THIS CONNECTOR SHALL BE USED THAT RETAINER (CL767-0053-2) WAS ASSEMBLED.  
 2. APPLICABLE CABLE DIA :  $\phi$  4.8 TO  $\phi$  5.2

1	PBT	LIGHT GRAY
NO.	MATERIAL	FINISH, REMARKS

CODE NO. (OLD)	DRAWN	DESIGNED	CHECKED	APPROVED	RELEASED
	N. HARUBAYASHI	N. HARUBAYASHI	K. Aoto	K. Aoto	
	' 04.10.21	' 04.10.21	04.10.22	04.10.22	

TO  
AMC

 SACLE 1 : 1 UNITS mm	DRAWING NO.	PART NO.
	EDC4-165622	GT17VS-6DS-HU
 HIROSE ELECTRIC CO., LTD.	CODE NO.	1 1 
	CL767-0051-7	