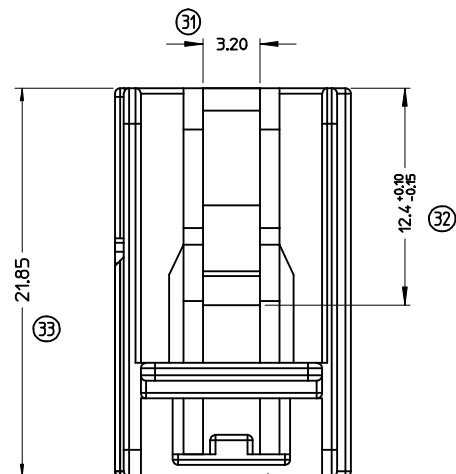
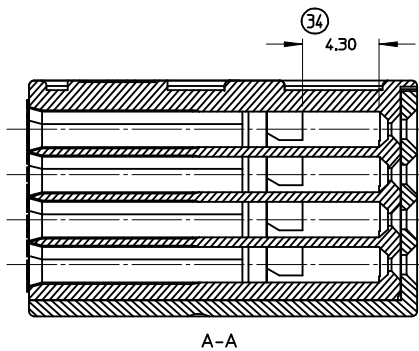
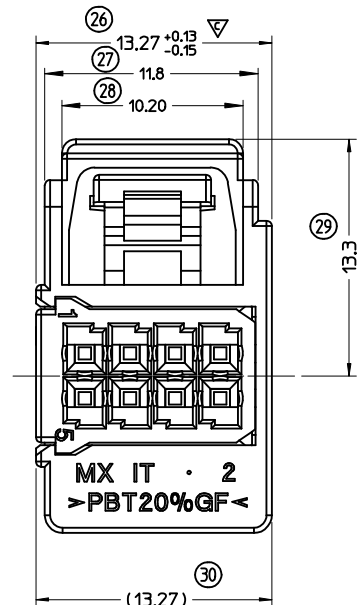
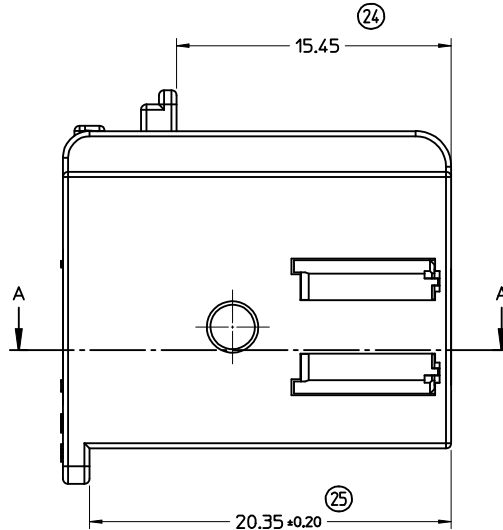
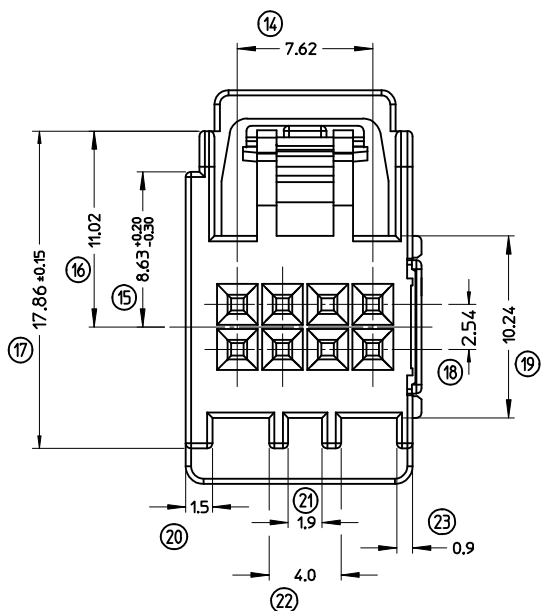


- 1) MATERIAL: GLASS FILLED PBT, BLACK COLOR
- 2) USED WITH 98658 SERIES TERMINALS
- 3) MATES WITH 31341-2641 SERIES USCAR HEADERS
- 4) PACKAGING: IN CARTON BOXES (SEE DRAWING PK-94552-001 FOR DETAILS)
- 5) SPQ: 15840 pcs
- 6) IN THE EVENT OF PARTIAL OR TOTAL SEPARATION, PARTS DO NOT LOOSE THEIR FUNCTIONALITY

STD. DESCR: RECEPTACLE FOR MOX TERM, 8 CKT

EC NO: Z2014-0081 DRWN: SBARBIER 2014/01/09 CHKD: LSANTESSO 2014/01/10 APPR: FBISELLO 2014/01/10	QUALITY SYMBOLS ▽ - 0 ▽ - 0	GENERAL TOLERANCES (UNLESS SPECIFIED)		SCALE 5:1	DESIGN UNITS METRIC	FIRST ANGLE PROJECTION	REVISE ON CAD ONLY
		4 PLACES ± --- ± --- 3 PLACES ± --- ± --- 2 PLACES ± 0.13 ± --- 1 PLACE ± 0.25 ± ---	mm INCH	DIMENSION STYLE MM ONLY		TITLE 8 CKT POL. B USCAR 0.64MM RECEPTACLE FOR 98658 SERIES TERMINAL	
		DRAFT WHERE APPLICABLE MUST REMAIN WITHIN DIMENSIONS		DRAWN BY SBARBIER	DATE 2007/04/11	MOLEX INCORPORATED	
		APPROVED BY FBISELLO		DATE 2007/04/11	MATERIAL NO. 94552-9008	DOCUMENT NO. SD-94552-001	SHEET NO. 1 OF 2

THIS DRAWING CONTAINS INFORMATION THAT IS PROPRIETARY TO MOLEX INCORPORATED AND SHOULD NOT BE USED WITHOUT WRITTEN PERMISSION

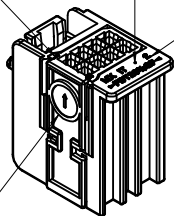


CIRCUIT # MARKING
0.1mm ABOVE SURFACE

THE PRESENCE OF A
DOT DENOTES PARTS
OFF MOLD # 2

MOLEX LOGO,
CAVITY NUMBER,
MATERIAL DESIGNATION
0.1mm ABOVE SURFACE

DATE INDICATOR



EC NO: Z2014-0081 DRWN: SBARBIER 2014/01/09 CHKD: LSANTESSO 2014/01/10 APPR: FBISELLO 2014/01/10	QUALITY SYMBOLS ▽ - 0 ▽ - 1	GENERAL TOLERANCES (UNLESS SPECIFIED)		SCALE 5:1	DESIGN UNITS METRIC	FIRST ANGLE PROJECTION	REVISE ON CAD ONLY		
				DIMENSION STYLE MM ONLY		TITLE 8 CKT POL. B USCAR 0.64MM RECEPTACLE FOR 98658 SERIES TERMINAL			
		4 PLACES ± --- ± --- 3 PLACES ± --- ± --- 2 PLACES ± 0.13 ± --- 1 PLACE ± 0.25 ± ---		ANGULAR ± 3°		DRAWN BY SBARBIER 2007/04/11	DATE 2007/04/11	MOLEX INCORPORATED	
		DRAFT WHERE APPLICABLE MUST REMAIN WITHIN DIMENSIONS		APPROVED BY FBISELLO 2007/04/11	DATE 2007/04/11	MATERIAL NO. SEE SHT 1	DOCUMENT NO. SD-94552-001	SHEET NO. 2 OF 2	THIS DRAWING CONTAINS INFORMATION THAT IS PROPRIETARY TO MOLEX INCORPORATED AND SHOULD NOT BE USED WITHOUT WRITTEN PERMISSION