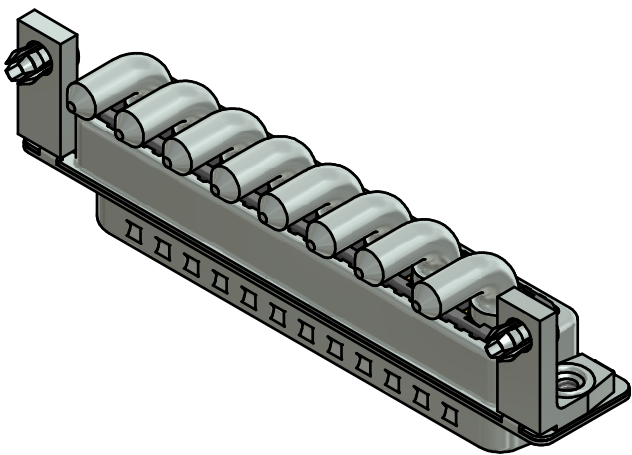


**NOTES:**

1. FOR WAVESOLDERING (SOLDER BATH TEMPERATURE 260°C FOR 5 SEC. AND SOLDER PREHEAT 120°C FOR 120 SEC.)
2. METAL SHELLS: STEEL; min. 315µm TIN over 40-80µm NICKEL
3. INSULATOR: PBT GF UL 94 V-0; BLACK
4. HIGH POWER CONTACTS 40A: COPPER ALLOY  
PLATING MATING AREA: GOLD FLASH over NICKEL  
PLATING TERMINATION SIDE: 160-240µm TIN over 80µm NICKEL
5. METAL BRACKETS: ZINC DIE CAST; 300µm COPPER/40-120µm NICKEL/120-200µm TIN
6. THREADED INSERTS: COPPER ALLOY; min. 200µm TIN over 80µm NICKEL
7. PCB SNAPS: COPPER ALLOY; min. 200µm TIN over 80µm NICKEL  
PCB-HOLE:  $\varnothing 3.1 \pm 0.1$ mm; PCB-THICKNESS: 1.6mm
8. P.C.B. HOLE DRILLINGS ON SHEET 2
9. CAPACITANCE: 100 nF  $\pm 20\%$
10. DIELECTRIC WITHSTANDING VOLTAGE: 707 VDC
11. MAXIMUM TORQUE VALUE FOR THREAD: 6 in.LB
12. CONNECTOR IS PART MARKED: 8F8SPA28S58K40X CONEC ABC

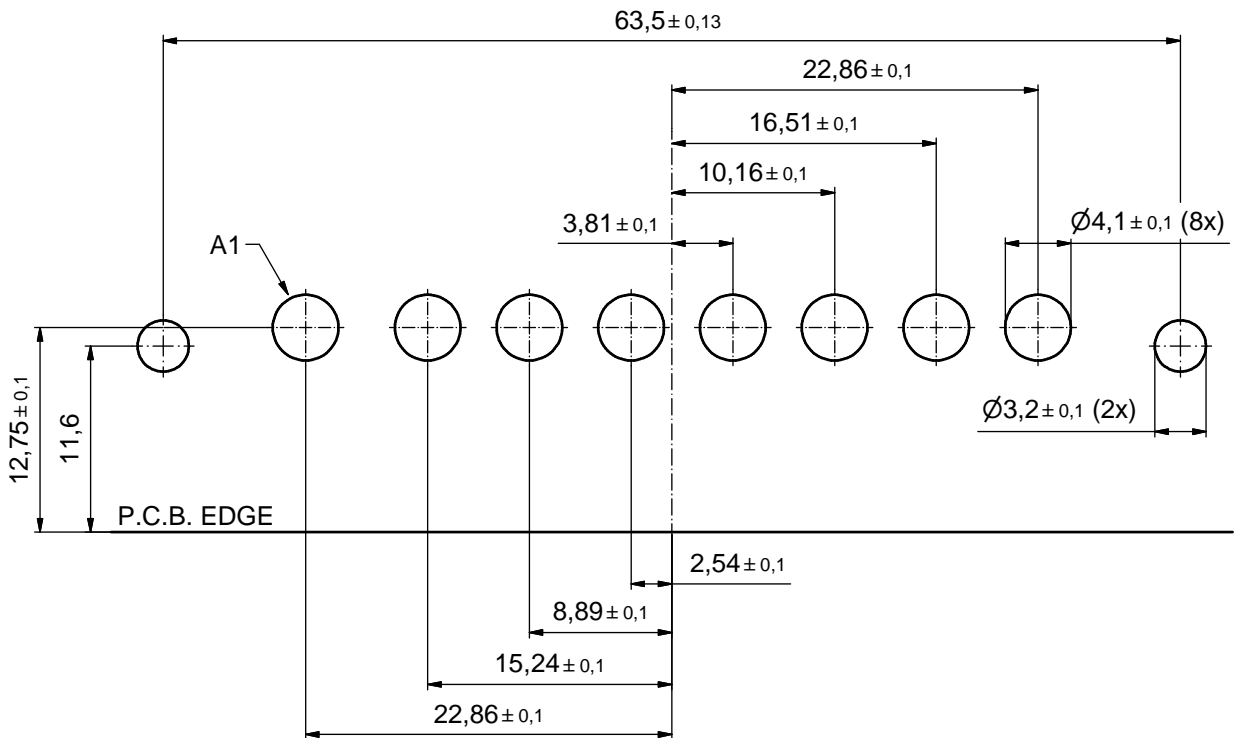


Directive 2002/95/EC RoHS compliant

THIS DRAWING MAY NOT BE COPIED OR REPRODUCED IN ANY WAY, AND MAY NOT BE PASSED ON TO A THIRD PARTY WITHOUT WRITTEN PERMISSION. OWNERSHIP AND COPYRIGHT OF CONEC GmbH DO NOT ALTER CAD DRAWING BY HAND	tolerance		dim. in mm	scale: 2:1 (5:1)		
				material: SEE NOTES		
	drawn	19.05.11	name	title: D-SUB FILTER COMBINATION MALE 90°		
	appd.	19.05.11	name	8F8SP		
		norm	with threaded insert, metal bracket and snap			
		d-old	dwg no: Inventor 10		DIN-A3	
a	Original			24K1A1323		
rev.	description			date	name	part no: 8F8SPA28S58K40X

# P.C.B. HOLE DRILLINGS

( P.C.B. TOP SIDE )



THIS DRAWING MAY NOT BE COPIED OR REPRODUCED IN ANY WAY, AND MAY NOT BE PASSED ON TO A THIRD PARTY WITHOUT WRITTEN PERMISSION. OWNERSHIP AND COPYRIGHT OF CONEC GmbH DO NOT ALTER CAD DRAWING BY HAND				tolerance		scale: 3:1	
				dim. in mm		material: SEE SHEET 1	
				date	name	title: P.C.B. HOLE DRILLINGS D-SUB FILTER COMBINATION MALE 90°8F8SP with threaded insert, metal bracket and snap	
				drawn 19.05.11	Lehmenkühler		
				appd. 19.05.11	Fischer		
				norm		dwg no: Inventor 10	DIN-A3
				d-old		24K1A1323	sh: 2
a	Original		<b>CONEC</b> <sup>®</sup>			part no: SEE SHEET 1	
rev.	description	date					name