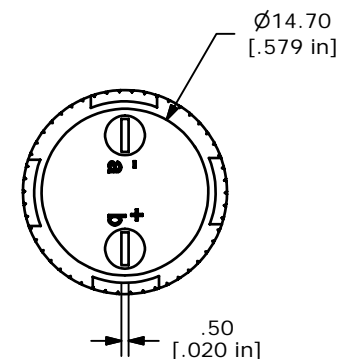
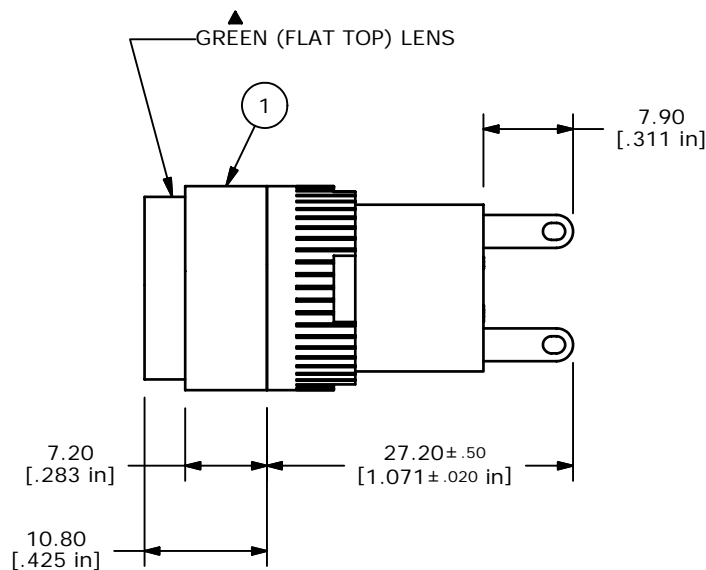
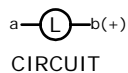
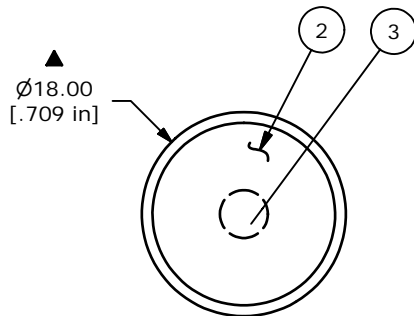
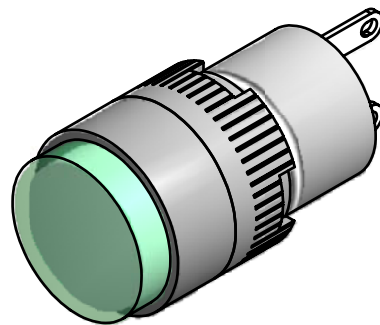


RECOMMENDED PANEL MOUNTING



PARTS LIST				
ITEM	QTY	PART NUMBER	DESCRIPTION	
1	1	F040003	L16PL10 BODY	
2	1	F050112	50-001-12 GREEN FLAT TRANSPARENT LENS (ROUND)	
3	1	F050413	50-004-13 GREEN NEON 220 VAC	

- NOTE:
1. ALL DIMENSIONS IN MM [INCH]
  2. GENERAL TOLERANCE: X.X=±0.4  
X.XX=±0.25
  3. TERMINAL NUMBERS FOR REF ONLY
  4. OPERATING TEMP: -25°C to +55°C
  5. STORAGE TEMP: -40°C TO +85°C
  - ▲6. LAMP VOLTAGE: 220VAC NEON GREEN
  7. SEAL: PROTECTED TO IP40.
  8. PANEL THICKNESS: 0.5 - 5.0 mm
  9. PACKAGE: 20 PER BOX
  10. ▲ DENOTES CRITICAL PARAMETER.
  11. 2002/95/EC (ROHS) COMPLIANT.



TITLE L16PLR10GGRNGRN

A	18505	RELEASED FOR PRODUCTION	5/6/09	BLR
REV	PCR NO	DESCRIPTION	DATE	BY

SCALE	DATE	DR	DWG	REV
1.5:1	5/6/2009	BLR	XF0796P	A

THE INFORMATION CONTAINED IN THIS DOCUMENT IS PROPRIETARY TO E-SWITCH AND IS NOT TO BE COPIED OR TRANSFERRED