

MODEL NUMBER
PWD-5533-02-TNC-79

NOTES:

1.0 ELECTRICAL SPECIFICATIONS:

1.1 FREQUENCY RANGE: 2.0 to 18.0 GHz

1.2 INSERTION LOSS:

2.0 to 4.0 GHz: 0.5dB
4.0 to 8.0 GHz: 0.9dB
8.0 to 12.4 GHz: 1.2dB
12.4 to 18.0 GHz: 1.5dB

1.3 ISOLATION: 15dB MIN.

1.4 VSWR (MAX):

2.0 to 12.4 GHz: 1.80:1
12.4 to 18.0 GHz: 2.00:1

1.5 OUTPUT UNBALANCE:

AMPLITUDE: 0.50dB MAX.
PHASE: 12° MAX.

1.6 MAX. INPUT POWER:

10 WATTS CW THROUGHOUT THE
FREQ. RANGE WITH A LOAD
VSWR OF 2:1 MAX.

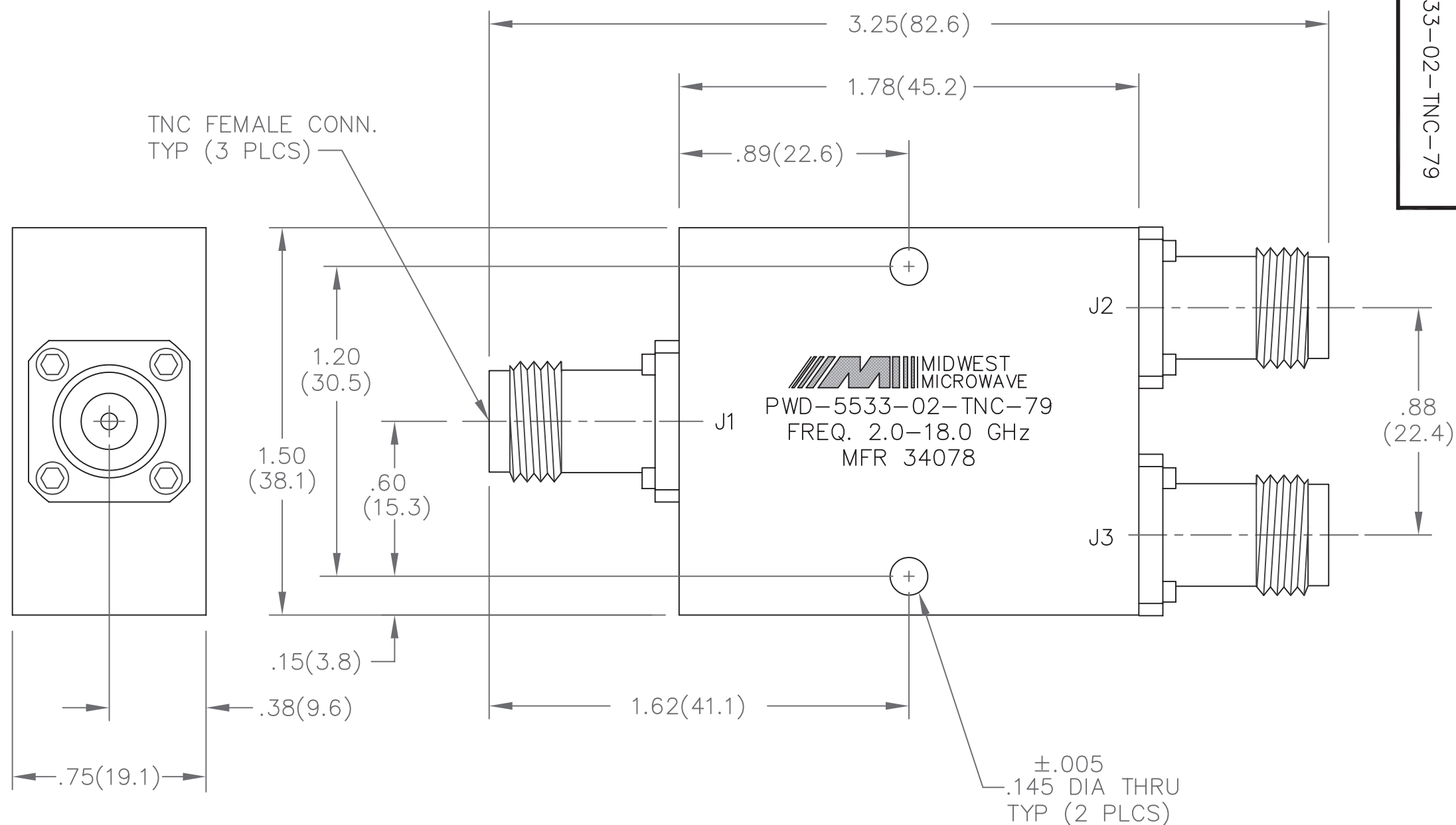
1.7 IMPEDANCE: 50 OHMS


2.0 FINISHING:

2.1 GREY PER MIL-E-15090 TYPE II, CLASS 2
OVER MIL-C-5541 CLASS 3A
MEETS MIL-F-14072
MEETS MIL-E-5400

2.2 MARKING: MARK UNIT AS SHOWN
(REF.: SLK-08921-82-02)

3.0 DIMENSIONS IN PARENTHESIS ARE
IN MILLIMETERS.



NOTICE: The information contained in this drawing is proprietary and must not be used without the permission of Cinch Connectivity Solutions. UNLESS OTHERWISE NOTED DIMENSIONS ARE IN INCHES AND TOLERANCES ARE: 3 PLACE DECIMALS ±.005 2 PLACE DECIMALS ±.02 FRACTIONS ±1/64 PARALLELITY: T.I.R. _____ FLATNESS: T.I.R. _____ CONCENTRICITY: T.I.R. _____ ANGLES AND PERPENDICULARITY: ±1°	CAGE CODE 34078	MIDWEST MICROWAVE	
			TITLE POWER DIVIDER OUTLINE DRAWING
DRAWN/DATE A.BEATTY 7/5/95	ENG./DATE J.O'NEIL 7/7/95	DRAWING NUMBER PWD-5533-02-TNC-79-01	REV. B
CHECKED/DATE P.GOODMAN 7/7/95	APPROVED/DATE	SCALE: 2=1	SHEET 1 of 1

DATE	7/7/95
DESCRIPTION	RELEASED
ADDED TITLEBLOCK	7/20/05
ECO	22747
DATE	10/27/10
REV.	B