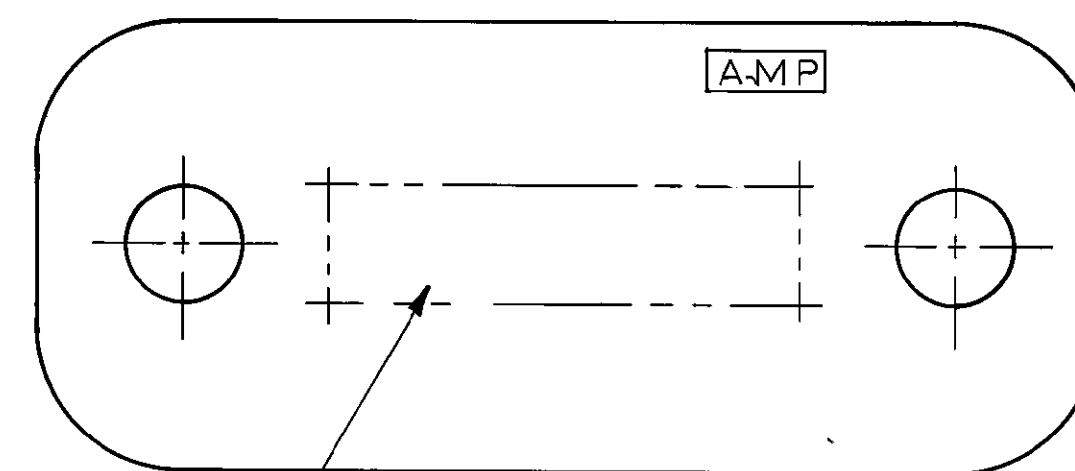
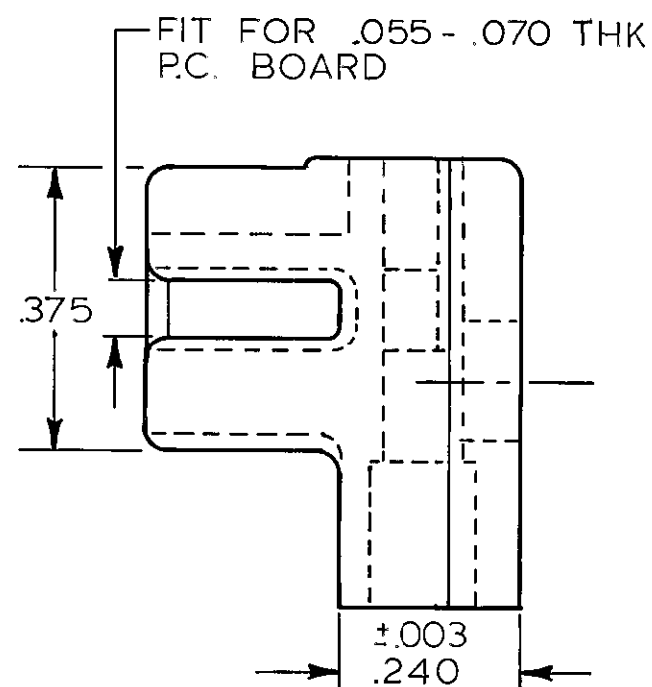
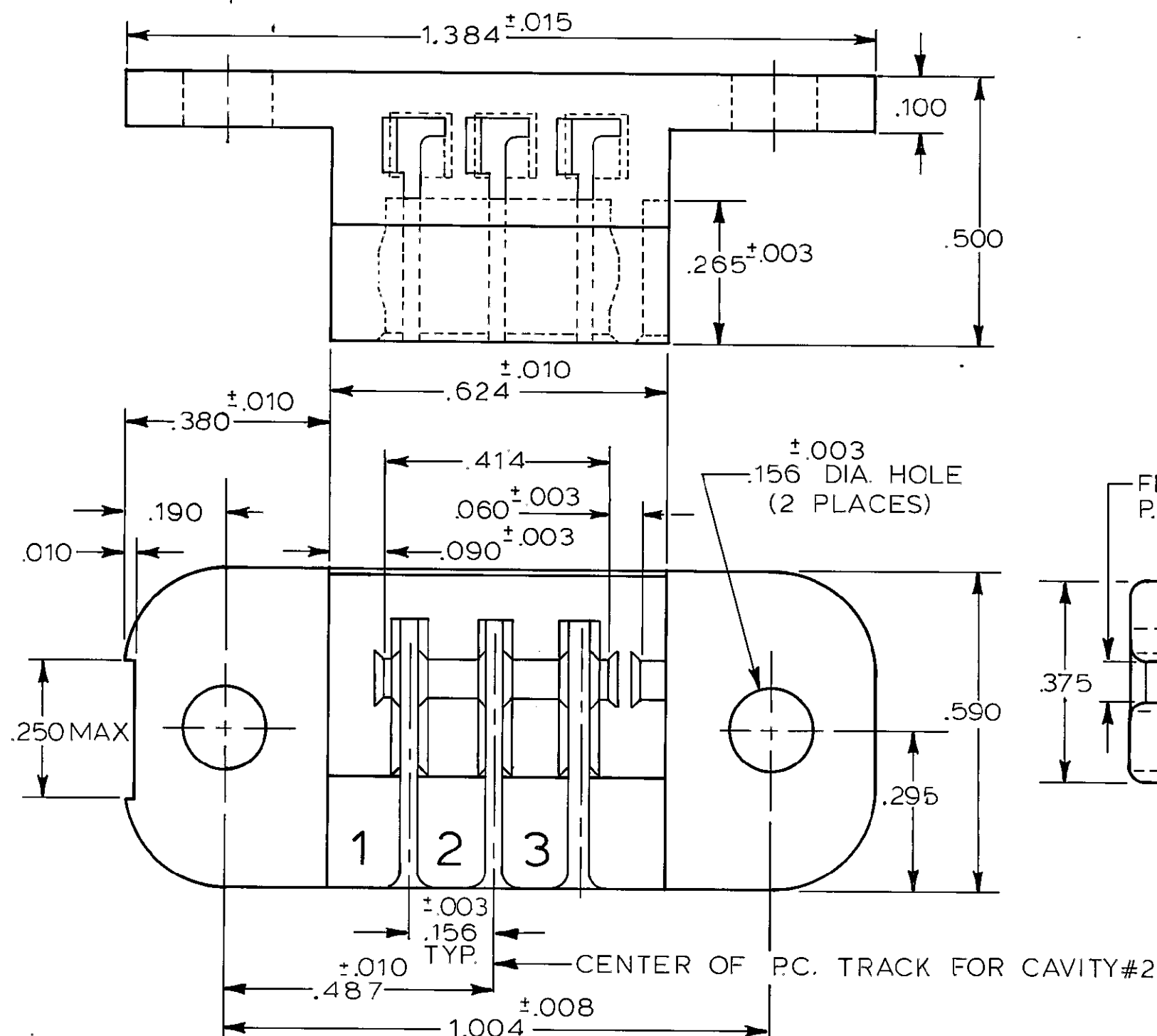


THIS DRAWING IS UNPUBLISHED. RELEASED FOR PUBLICATION FEBRUARY 22, 1972.
 © COPYRIGHT 1962 BY AMP INCORPORATED, HARRISBURG, PA. ALL INTERNATIONAL RIGHTS RESERVED. AMP PRODUCTS MAY BE COVERED BY U.S. AND FOREIGN PATENTS AND/OR PATENTS PENDING.

REVISIONS					
P	F	ZONE	LTR	DESCRIPTION	DATE APPROVED
✓			K	REV/REDRAWN PER ADO273 SR	7-2-84 <i>H.W.C.</i>
✓			L	REV PER AD 1746	8-24-87 <i>cau/H.W.C.</i>
✓			M	REV PER 0010-1143-95	11-95 P.B.
			N	REV PER EC 0G3C-233-01	03OCT01 MM

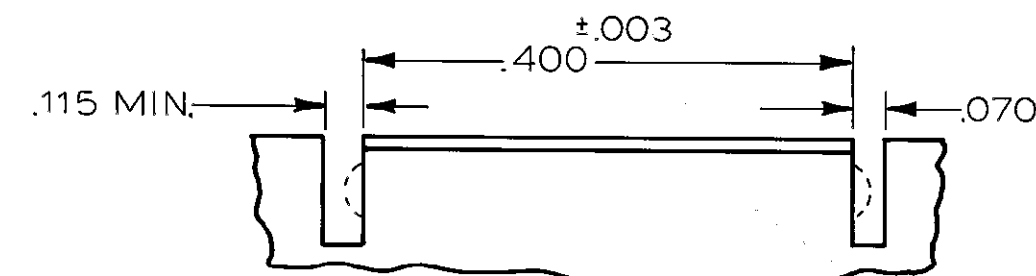
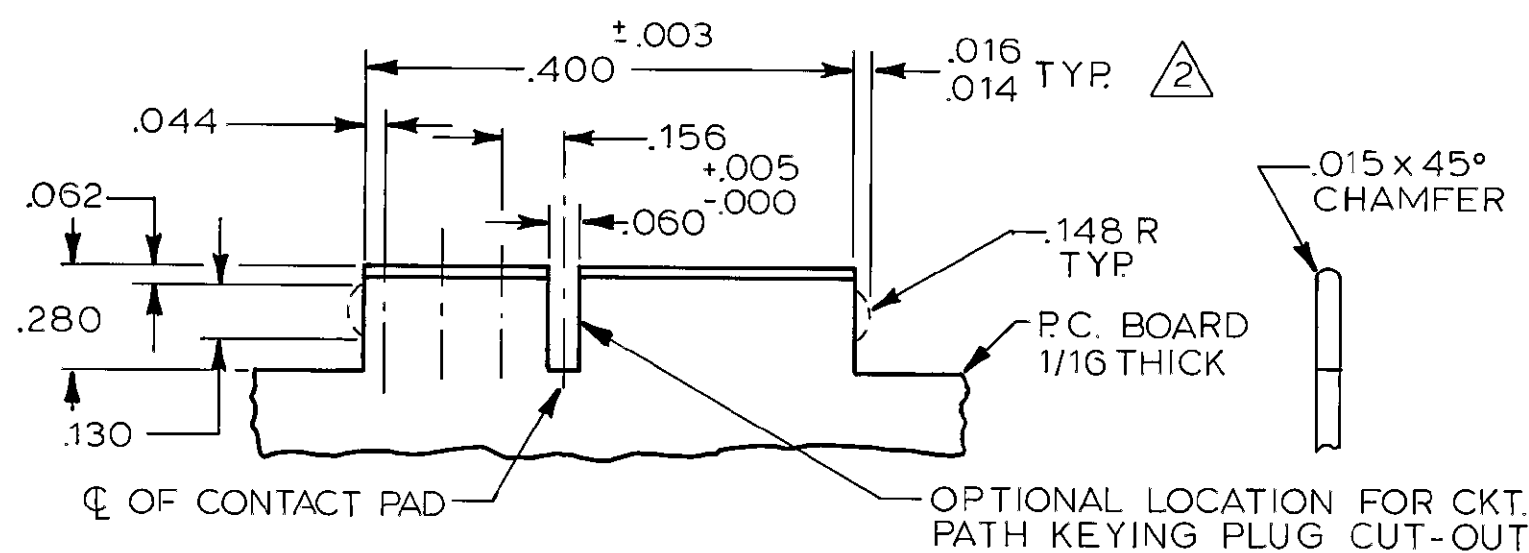
PART No.	COLOR
582380-1	BROWN
582380-2	RED
582380-3	ORANGE
582380-4	YELLOW
582380-5	GREEN
582380-6	BLUE
582380-7	VIOLET
582380-8	GRAY
582380-9	NATURAL
1-582380-0	BLACK

OBsolete



PART No. & DATE CODE MARKED OR MOLDED IN THIS AREA. DATE CODE (OPTIONAL)

- 1. REFER TO 60215 & 583284 FOR TERMINAL.
- 2. THE RETAINING DIMPLES ARE OPTIONAL IN BOTH CUT-OUTS
- 3. CARD SLOT AND MOUNTING HOLE DIMENSIONS TO BE CHECKED WITH HOUSING RESTRAINED. (AS MOUNTED)



OPTIONAL CUT-OUTS

UNLESS OTHERWISE SPECIFIED DIMENSIONS ARE IN INCHES. TOLERANCES ON: DECIMALS ±.005 ANGLES ±		CONTRACT NO		PART NO	
MATERIAL NYLON		DR <i>S. Roycroft</i> 7/2/84		AMP AMP INCORPORATED Harrisburg, Pa. 17105	
FINISH		CHK <i>Howard W. Rose</i> 7/2/84		NAME HOUSING, DUO-TYNE FLAG WITH MOUNTING HOLES 3 POSITION	
OTHER APPD		APPD <i>Howard W. Rose</i> 7/2/84		SIZE C	
		APPD <i>Emm. C. ...</i> 7/2/84		FSCM NO 00779	
		DSGN APPD		DRAWING NO 582380	
		OTHER APPD		SCALE 4:1	
				SHEET 1 OF 1	

582380