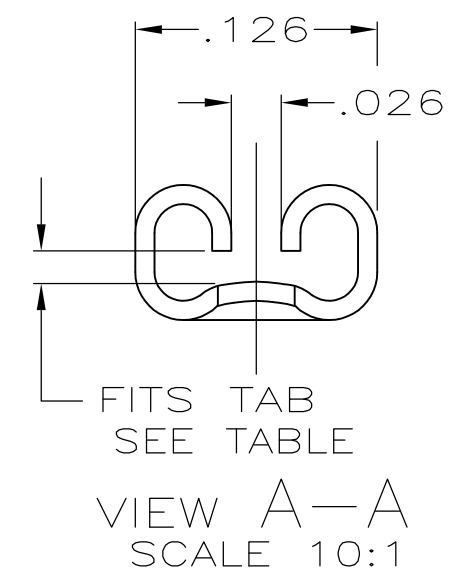
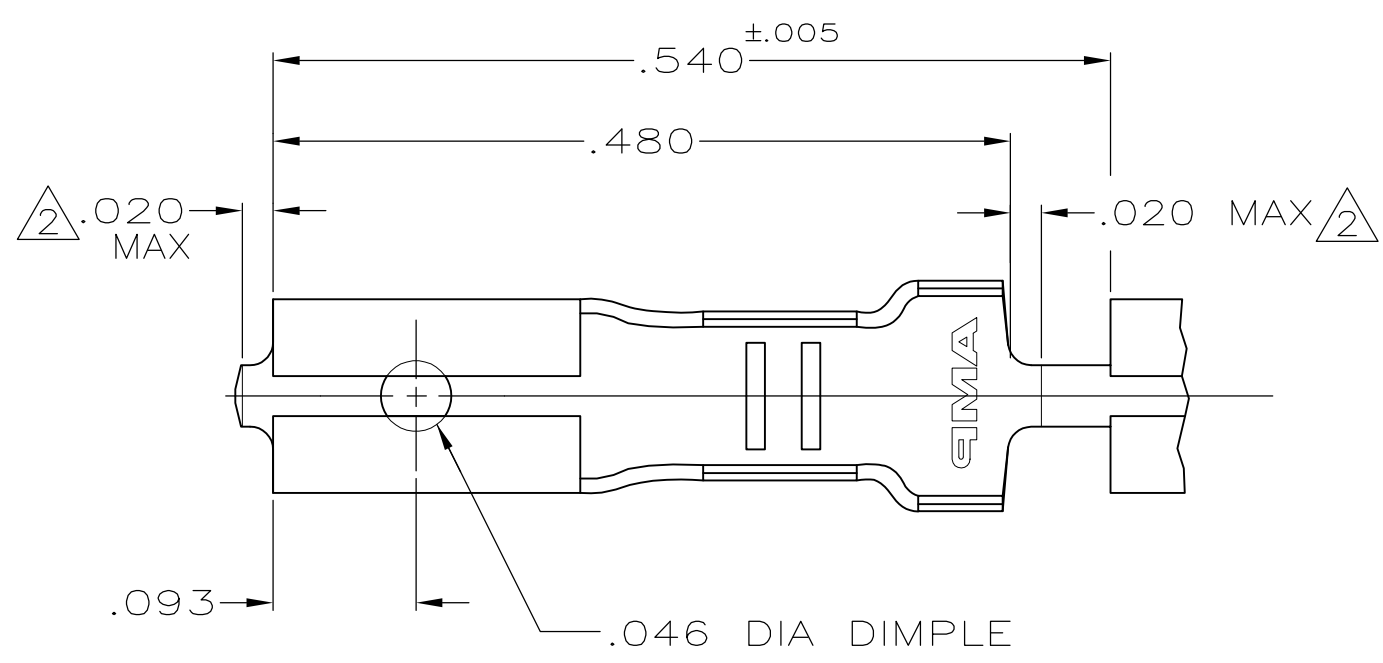
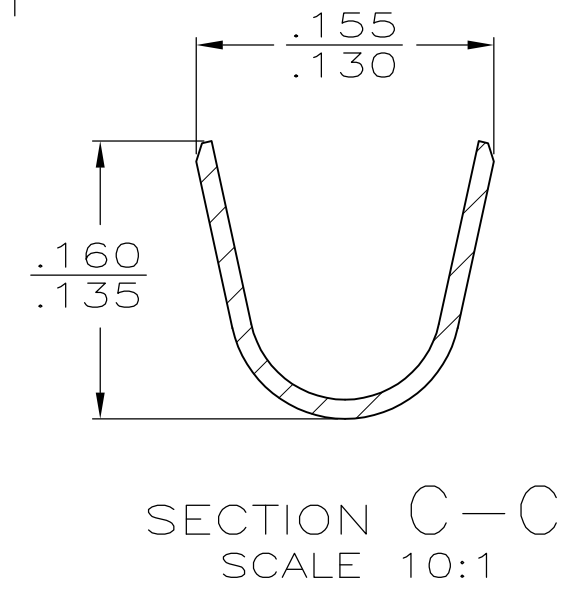
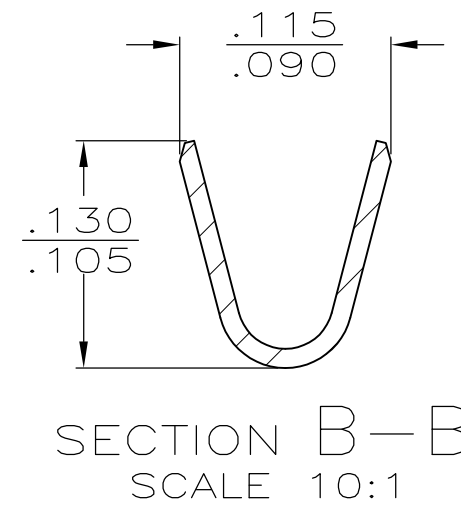
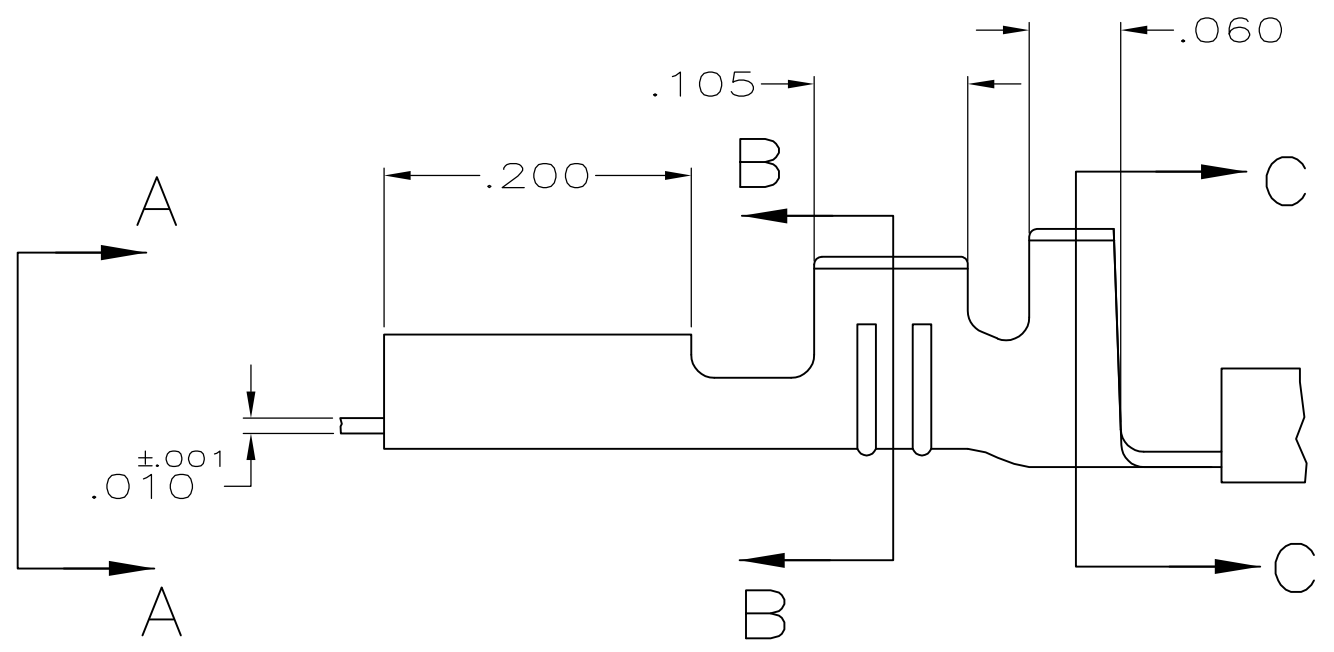


THIS DRAWING IS UNPUBLISHED. RELEASED FOR PUBLICATION  
 © COPYRIGHT - By - ALL RIGHTS RESERVED.


LOC	DIST	REVISIONS					
		P	LTR	DESCRIPTION	DATE	DWN	APVD
AF	50		J	REVISED PER ECR-12-013445	18OCT12	KH	PD



- 1 CONTINUOUS STRIP ON REELS.
- 2 DIMENSIONS FOR LOOSE PIECE PART NO. 60537-1.



.080-.120	22-18	.020 X .103 MAX	60432-1
INSUL RANGE	WIRE SIZE	MATING TAB	PART NO

THIS DRAWING IS A CONTROLLED DOCUMENT.		DWN JR RUTH 12/10/92	 TE Connectivity RECEPTACLE, FASTON, SPECIAL											
DIMENSIONS: INCHES		CHK MS FEHER 12/10/92												
TOLERANCES UNLESS OTHERWISE SPECIFIED:		APVD J GILLESPIE 12/10/92												
<table border="1"> <tr><td>0 PLC</td><td>± -</td></tr> <tr><td>1 PLC</td><td>± -</td></tr> <tr><td>2 PLC</td><td>± -</td></tr> <tr><td>3 PLC</td><td>± 0.38 [.015]</td></tr> <tr><td>4 PLC</td><td>± -</td></tr> <tr><td>ANGLES</td><td>± -</td></tr> </table>		0 PLC			± -	1 PLC	± -	2 PLC	± -	3 PLC	± 0.38 [.015]	4 PLC	± -	ANGLES
0 PLC	± -													
1 PLC	± -													
2 PLC	± -													
3 PLC	± 0.38 [.015]													
4 PLC	± -													
ANGLES	± -													
MATERIAL BRASS	FINISH PRE-TIN	APPLICATION SPEC	NAME	SIZE A3	CAGE CODE 00779	DRAWING NO C-60432	RESTRICTED TO							
CUSTOMER DRAWING			SCALE 5:1	SHEET 1 OF 1	REV J									