

THIS DRAWING IS UNPUBLISHED.

RELEASED FOR PUBLICATION

ALL RIGHTS RESERVED.

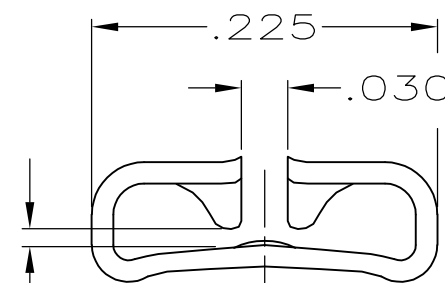
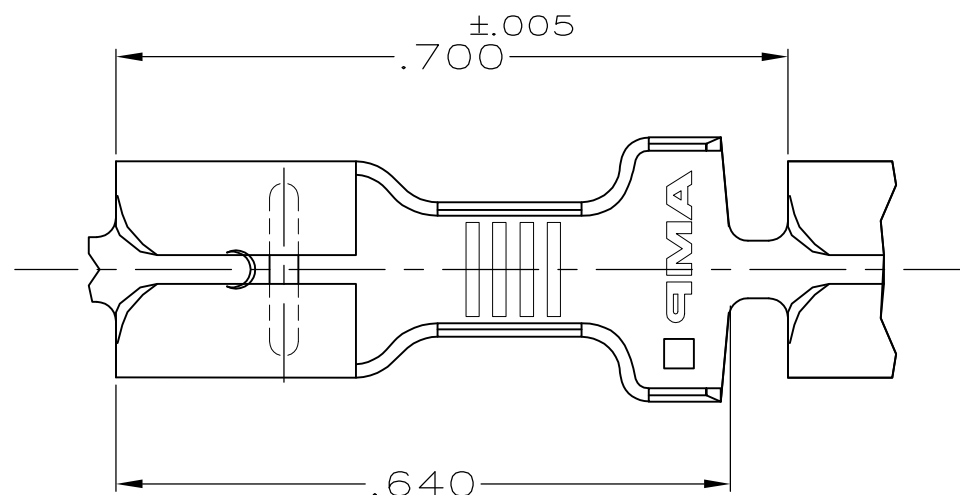
© COPYRIGHT - By -

LOC AF DIST 50

REVISIONS

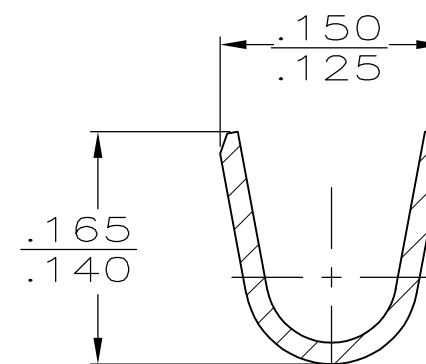
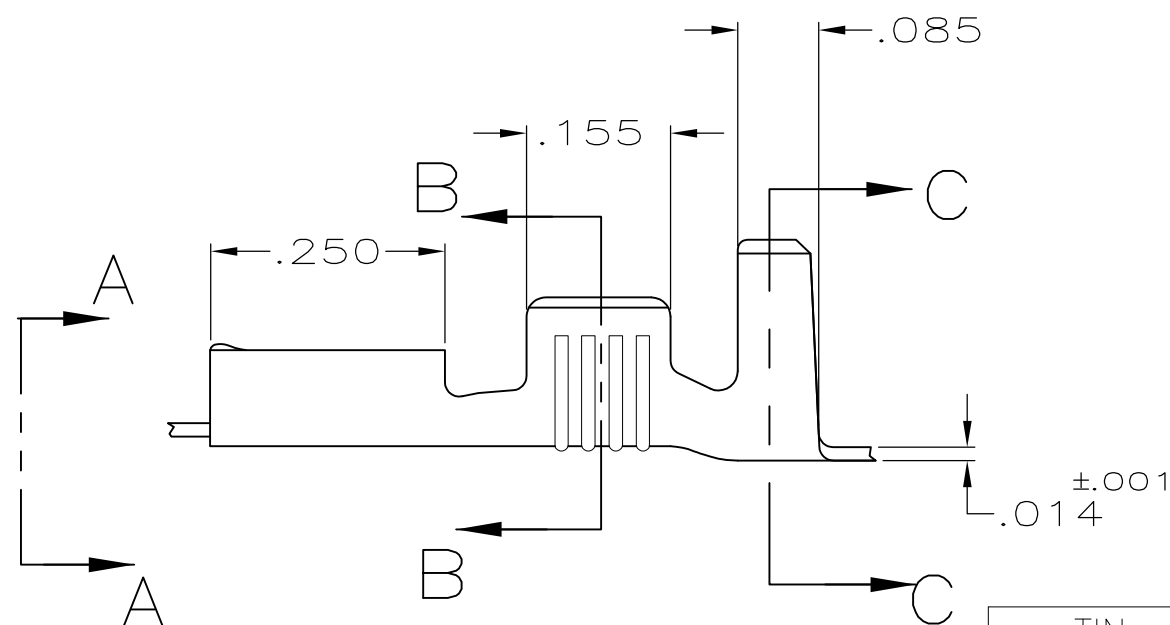
P	LTR	DESCRIPTION	DATE	DWN	APVD
	J	REVISED PER ECR-12-013445	27OCT12	KH	PD

1 CONTINUOUS STRIP ON REELS.

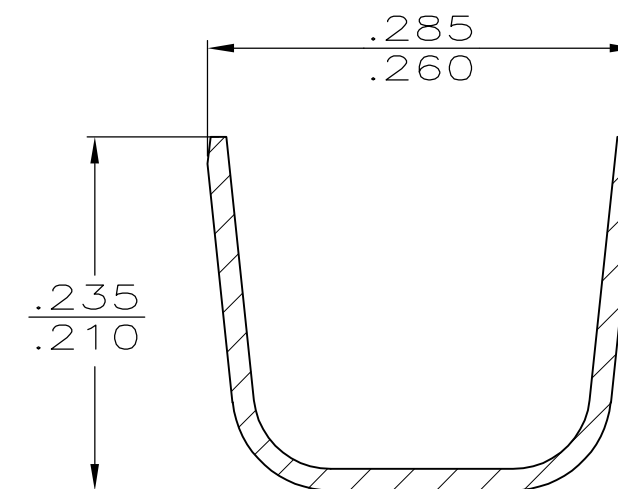


FITS .187 SERIES FASTON TAB


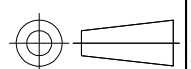
VIEW A-A
SCALE 8:1



SECTION B-B
SCALE 8:1



SECTION C-C
SCALE 8:1

TIN	.180 - .230	18-14 OR	.020	60742-2
-	OR (2) .110 MAX	(2) #16'S		60742-1
FINISH	INSUL RANGE	WIRE SIZE	MATING TAB THK ± .001	PART NO
THIS DRAWING IS A CONTROLLED DOCUMENT.		DWN JR RUTH 3/14/90	 TE Connectivity RECEPTACLE, FASTON™ .187 SERIES	
DIMENSIONS: INCHES		CHK MS FEHER 3/14/90		
		APVD C MEYERS 3/14/90		
TOLERANCES UNLESS OTHERWISE SPECIFIED:		PRODUCT SPEC	NAME	
0 PLC ± -		APPLICATION SPEC	SIZE CAGE CODE DRAWING NO RESTRICTED TO	
1 PLC ± -			A3 00779 C-60742	
2 PLC ± -			SCALE 5:1 SHEET 1 OF 1 REV J	
3 PLC ± .010				
4 PLC ± -				
ANGLES ± -				
FINISH SEE TABLE		WEIGHT -		
MATERIAL BRASS		CUSTOMER DRAWING		