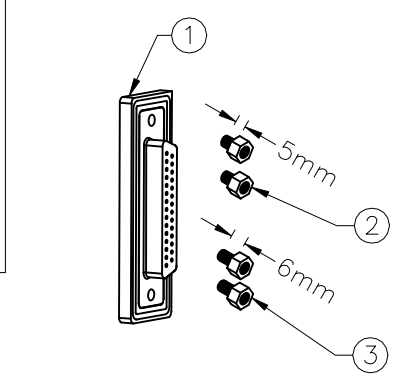
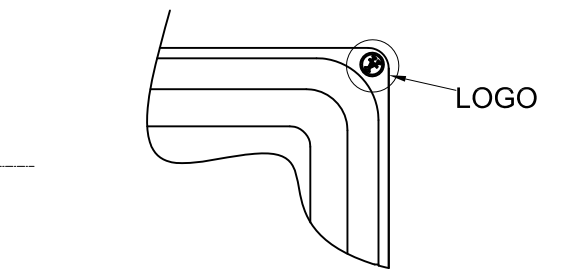


NOTES:

MATERIAL

1. Insulator Material: Black, NYLON+G/F
2. Contact Material : Copper Alloy
3. Plating : Gold Plating
4. Waterproof Rate: IP67
5. Do Mating Test After Glued
6. Applicable Wire Range: 22AWG-26AWG
7. LOGO



F

G

RoHS compliant

H

Scale	1:1						Date	Name	Customer-No.
TOLERANCE						Drawn	24.12.2008	JACK	
X.X	±0.25					Approved	24.12.2008	Hellwig	ASSMANN WSW-No.
X.XX	±0.10								A-DF 25 LL-WP
X.XXX	±0.05								Drawing-No.
DIM	TOL							ASS 3260 CO rev01	
ANGLE	±1°								
X.X°	±X°	①	Drawn	24.12.2008	JACK				Replace
Angle	TOL	Id.	Modification	Date	Name				Sheet