


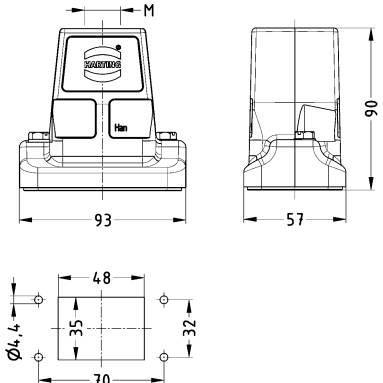

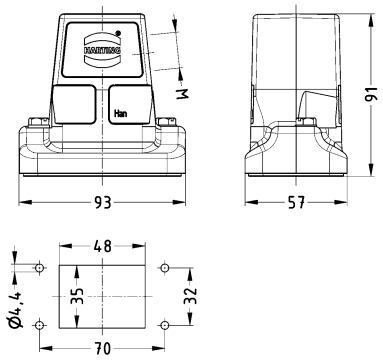

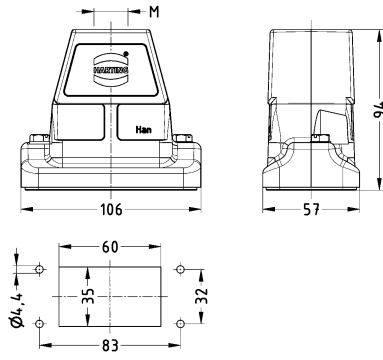

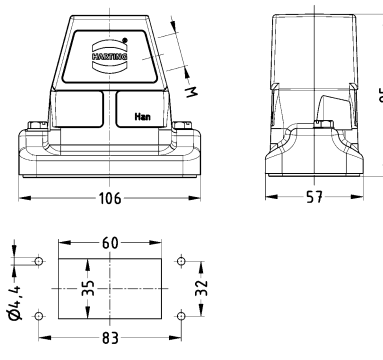



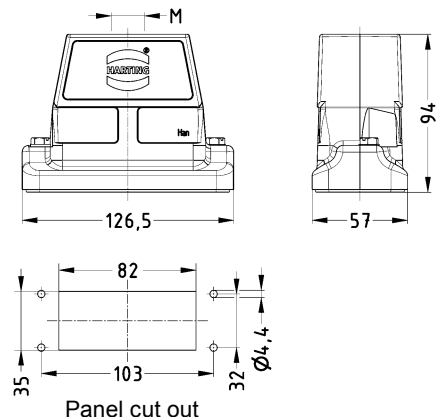

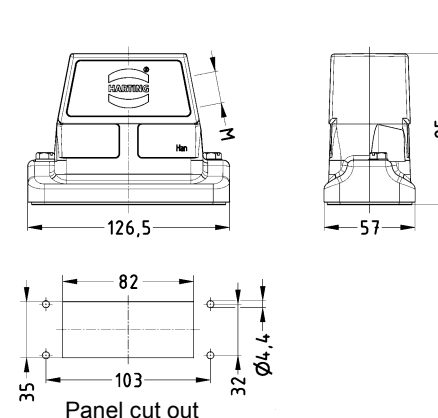

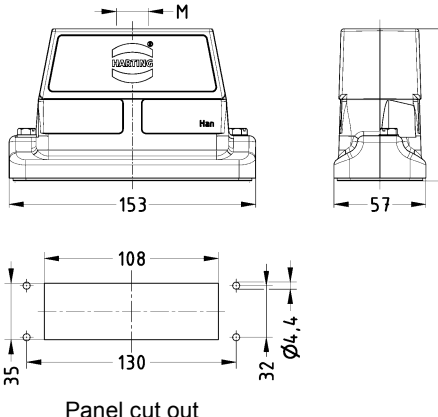

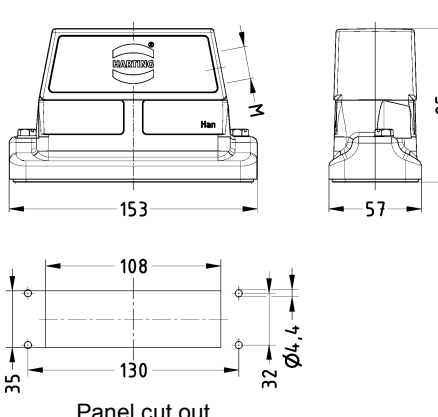
**Features**


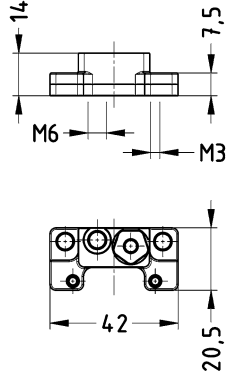

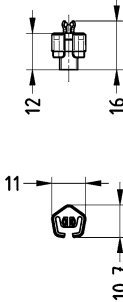
- System of hoods without using a bulkhead mounted housing on the device side
- Hoods in sizes 6 B, 10 B, 16 B and 24 B
- Suitable for all inserts Han® B
- Top and side entry ranging from M20 to M40 for all sizes
- Optional coding by means of two coding elements
- Panel cut-outs compatible with standard Han® B panel cut-outs
- High EMC resistance

**Technical characteristics**

|   |                                |
|---|--------------------------------|
| <b>Specifications</b>                                     | DIN EN 61984<br>DIN EN 60664-1 |
| <b>Hoods</b>  |                                |
| Material  | aluminium die-cast             |
| Colour  | unpainted                      |
| Surface   |                                |
| - top coat  | electrically conductive        |
| <b>Locking element</b>                                    |                                |
| Screw locking   | M6                             |
| Material  | stainless steel                |
| Tightening torque   | 4 Nm                           |
| Hoods seal  | NBR (conductive)               |
| <b>Mounting flange</b>                                    |                                |
| Material  | zinc die-cast                  |
| Colour  | unpainted                      |
| Surface   | electrically conductive        |
| <b>Coding element</b>                                     |                                |
| Material  | polycarbonate                  |
| Color   | red                            |
| Limiting temperatures                                     | -40 °C ... +125 °C             |
| Protection degree acc. to DIN EN 60529 in locked position | IP66 / IP68 / IP69K            |

| Identification   | Part number  | Cable entry                        | Drawing  | Dimensions in mm |
|--|--|------------------------------------|--|------------------|
| <p>Han® 6 HP Direct EMC</p> <p>Hoods<br/>top entry</p>      | <p>19 39 806 0445<br/>19 39 806 0446<br/>19 39 806 0447<br/>19 39 806 0448</p> | <p>M20<br/>M25<br/>M32<br/>M40</p> |  <p>Panel cut out</p>   |                  |
| <p>Han® 6 HP Direct EMC</p> <p>Hoods<br/>side entry</p>    | <p>19 39 806 0545<br/>19 39 806 0546<br/>19 39 806 0547<br/>19 39 806 0548</p> | <p>M20<br/>M25<br/>M32<br/>M40</p> |  <p>Panel cut out</p>  |                  |
| <p>Han® 10 HP Direct EMC</p> <p>Hoods<br/>top entry</p>   | <p>19 39 810 0445<br/>19 39 810 0446<br/>19 39 810 0447<br/>19 39 810 0448</p> | <p>M20<br/>M25<br/>M32<br/>M40</p> |  <p>Panel cut out</p> |                  |
| <p>Han® 10 HP Direct EMC</p> <p>Hoods<br/>side entry</p>  | <p>19 39 810 0545<br/>19 39 810 0546<br/>19 39 810 0547<br/>19 39 810 0548</p> | <p>M20<br/>M25<br/>M32<br/>M40</p> |  <p>Panel cut out</p> |                  |

| Identification   | Part number  | Cable entry                        | Drawing   | Dimensions in mm |
|--|--|------------------------------------|---|------------------|
| <p>Han® 16 HP Direct M EMC</p> <p>Hoods<br/>top entry</p>   | <p>19 39 816 0445<br/>19 39 816 0446<br/>19 39 816 0447<br/>19 39 816 0448</p> | <p>M20<br/>M25<br/>M32<br/>M40</p> |  <p>Panel cut out</p>   |                  |
| <p>Han® 16 HP Direct MEMC</p> <p>Hoods<br/>side entry</p>  | <p>19 39 816 0545<br/>19 39 816 0546<br/>19 39 816 0547<br/>19 39 816 0548</p> | <p>M20<br/>M25<br/>M32<br/>M40</p> |  <p>Panel cut out</p>  |                  |
| <p>Han® 24 HP Direct EMC</p> <p>Hoods<br/>top entry</p>   | <p>19 39 824 0445<br/>19 39 824 0446<br/>19 39 824 0447<br/>19 39 824 0448</p> | <p>M20<br/>M25<br/>M32<br/>M40</p> |  <p>Panel cut out</p> |                  |
| <p>Han® 24 HP Direct EMC</p> <p>Hoods<br/>side entry</p>  | <p>19 39 824 0545<br/>19 39 824 0546<br/>19 39 824 0547<br/>19 39 824 0548</p> | <p>M20<br/>M25<br/>M32<br/>M40</p> |  <p>Panel cut out</p> |                  |

| Identification   | Part number           | Drawing   | Dimensions in mm |
|--|-----------------------|---|------------------|
| <p><b>Mounting flanges</b><br/>Set of 2 pieces</p>  | <p>09 39 000 9902</p> |   |                  |
| <p><b>Coding elements</b><br/>Set of 4 pieces</p>  | <p>09 39 000 9903</p> |  |                  |
|  |                       |   |                  |