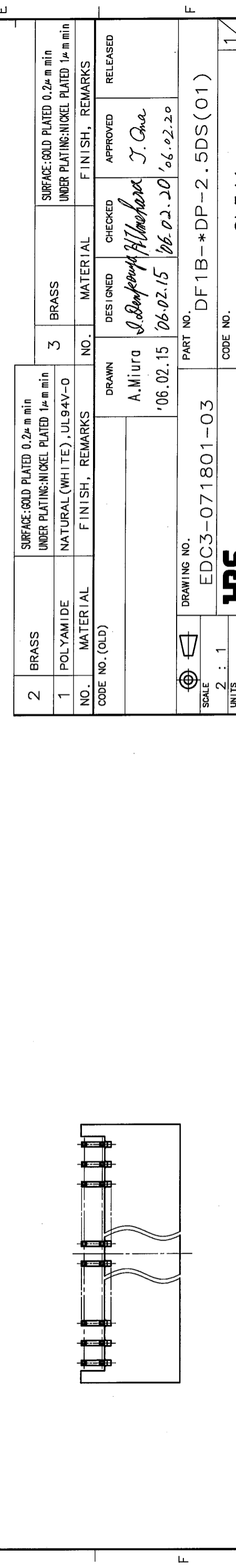
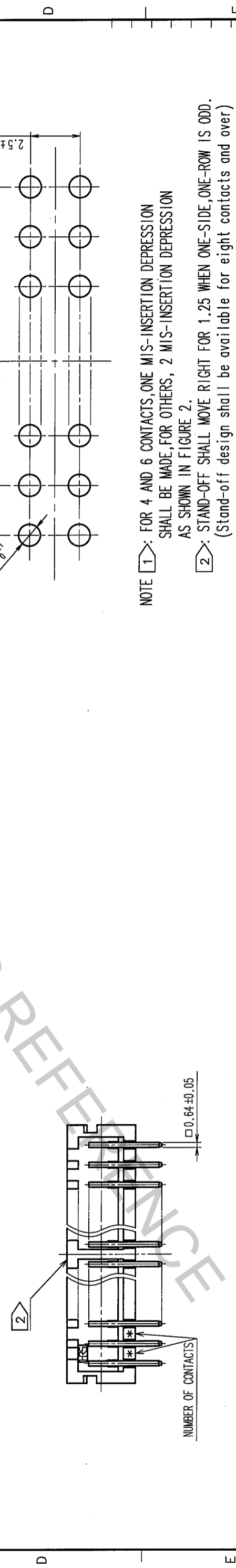
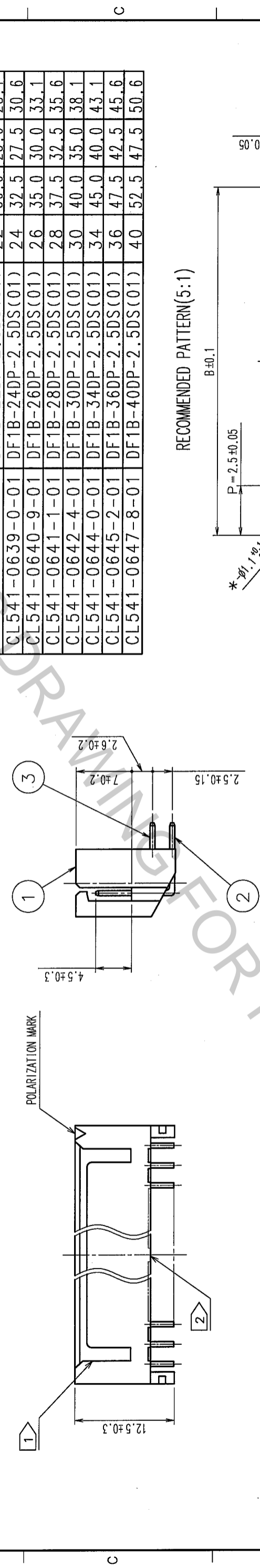
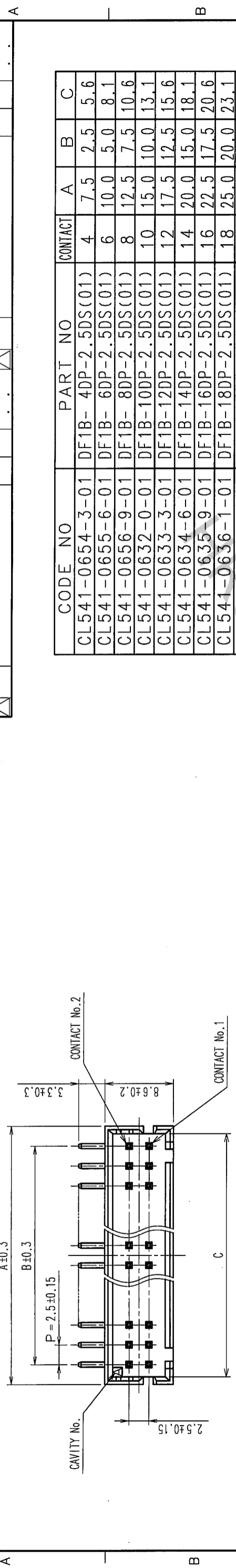


| COUNT | DESCRIPTION OF REVISIONS | BY | CHKD | DATE | COUNT | DESCRIPTION OF REVISIONS | BY | CHKD | DATE |
|-------|--------------------------|----|------|------|-------|--------------------------|----|------|------|
| △     |                          |    |      |      | △     |                          |    |      |      |
| △     |                          |    |      |      | △     |                          |    |      |      |
| △     |                          |    |      |      | △     |                          |    |      |      |



| CODE NO         | PART NO             | CONTACT | A    | B    | C    |
|-----------------|---------------------|---------|------|------|------|
| CL541-0654-3-01 | DF1B-4DP-2.5DS(01)  | 4       | 7.5  | 2.5  | 5.6  |
| CL541-0655-6-01 | DF1B-6DP-2.5DS(01)  | 6       | 10.0 | 5.0  | 8.1  |
| CL541-0656-9-01 | DF1B-8DP-2.5DS(01)  | 8       | 12.5 | 7.5  | 10.6 |
| CL541-0632-0-01 | DF1B-10DP-2.5DS(01) | 10      | 15.0 | 10.0 | 13.1 |
| CL541-0633-3-01 | DF1B-12DP-2.5DS(01) | 12      | 17.5 | 12.5 | 15.6 |
| CL541-0634-6-01 | DF1B-14DP-2.5DS(01) | 14      | 20.0 | 15.0 | 18.1 |
| CL541-0635-9-01 | DF1B-16DP-2.5DS(01) | 16      | 22.5 | 17.5 | 20.6 |
| CL541-0636-1-01 | DF1B-18DP-2.5DS(01) | 18      | 25.0 | 20.0 | 23.1 |
| CL541-0637-4-01 | DF1B-20DP-2.5DS(01) | 20      | 27.5 | 22.5 | 25.6 |
| CL541-0638-7-01 | DF1B-22DP-2.5DS(01) | 22      | 30.0 | 25.0 | 28.1 |
| CL541-0639-0-01 | DF1B-24DP-2.5DS(01) | 24      | 32.5 | 27.5 | 30.6 |
| CL541-0640-9-01 | DF1B-26DP-2.5DS(01) | 26      | 35.0 | 30.0 | 33.1 |
| CL541-0641-1-01 | DF1B-28DP-2.5DS(01) | 28      | 37.5 | 32.5 | 35.6 |
| CL541-0642-4-01 | DF1B-30DP-2.5DS(01) | 30      | 40.0 | 35.0 | 38.1 |
| CL541-0644-0-01 | DF1B-34DP-2.5DS(01) | 34      | 45.0 | 40.0 | 43.1 |
| CL541-0645-2-01 | DF1B-36DP-2.5DS(01) | 36      | 47.5 | 42.5 | 45.6 |
| CL541-0647-8-01 | DF1B-40DP-2.5DS(01) | 40      | 52.5 | 47.5 | 50.6 |

NOTE 1: FOR 4 AND 6 CONTACTS, ONE MIS-INSERTION DEPRESSION SHALL BE MADE, FOR OTHERS, 2 MIS-INSERTION DEPRESSION AS SHOWN IN FIGURE 2.  
 2: STAND-OFF SHALL MOVE RIGHT FOR 1.25 WHEN ONE-SIDE, ONE-ROW IS ODD. (Stand-off design shall be available for eight contacts and over)

| NO. | MATERIAL  | FINISH, REMARKS                                                        | NO. | MATERIAL | FINISH, REMARKS                                                        |
|-----|-----------|------------------------------------------------------------------------|-----|----------|------------------------------------------------------------------------|
| 2   | BRASS     | SURFACE: GOLD PLATED 0.2μm min<br>UNDER PLATING: NICKEL PLATED 1μm min | 3   | BRASS    | SURFACE: GOLD PLATED 0.2μm min<br>UNDER PLATING: NICKEL PLATED 1μm min |
| 1   | POLYAMIDE | NATURAL (WHITE), UL94V-0                                               |     |          |                                                                        |

| CODE NO. (OLD) | FINISH, REMARKS | NO. | MATERIAL | FINISH, REMARKS |
|----------------|-----------------|-----|----------|-----------------|
|                |                 |     |          |                 |

| DESIGNED  | CHECKED                | APPROVED  | RELEASED  |
|-----------|------------------------|-----------|-----------|
| A. Miura  | S. Banerjee/H. Maehara | J. Owa    |           |
| '06.02.15 | '06.02.15              | '06.02.20 | '06.02.20 |

| DRAWING NO.    | PART NO.           |
|----------------|--------------------|
| EDC3-071801-03 | DF1B-*DP-2.5DS(01) |

| SCALE | UNITS | ITM |
|-------|-------|-----|
| 2 : 1 | mm    |     |

| CODE NO. |
|----------|
| CL541    |

TO