

MICRO SWITCH

A DIVISION OF MINNEAPOLIS-HONEYWELL REGULATOR COMPANY
MINNEAPOLIS, MINNESOTA

FED. MFR. CODE 91929

SWITCH - BASIC

CATALOG LISTING

YZ-2RW84-A2

AYE0500

YZ-2RW84-A2

PAGE 1 OF 1

DRAWING NUMBER

ISSUE

11

REPLACES

RELEASE NO.

CHECK

09JAN06

RJ

CHECK

25 AUG 62

DAW

25 AUG 62

CHECK

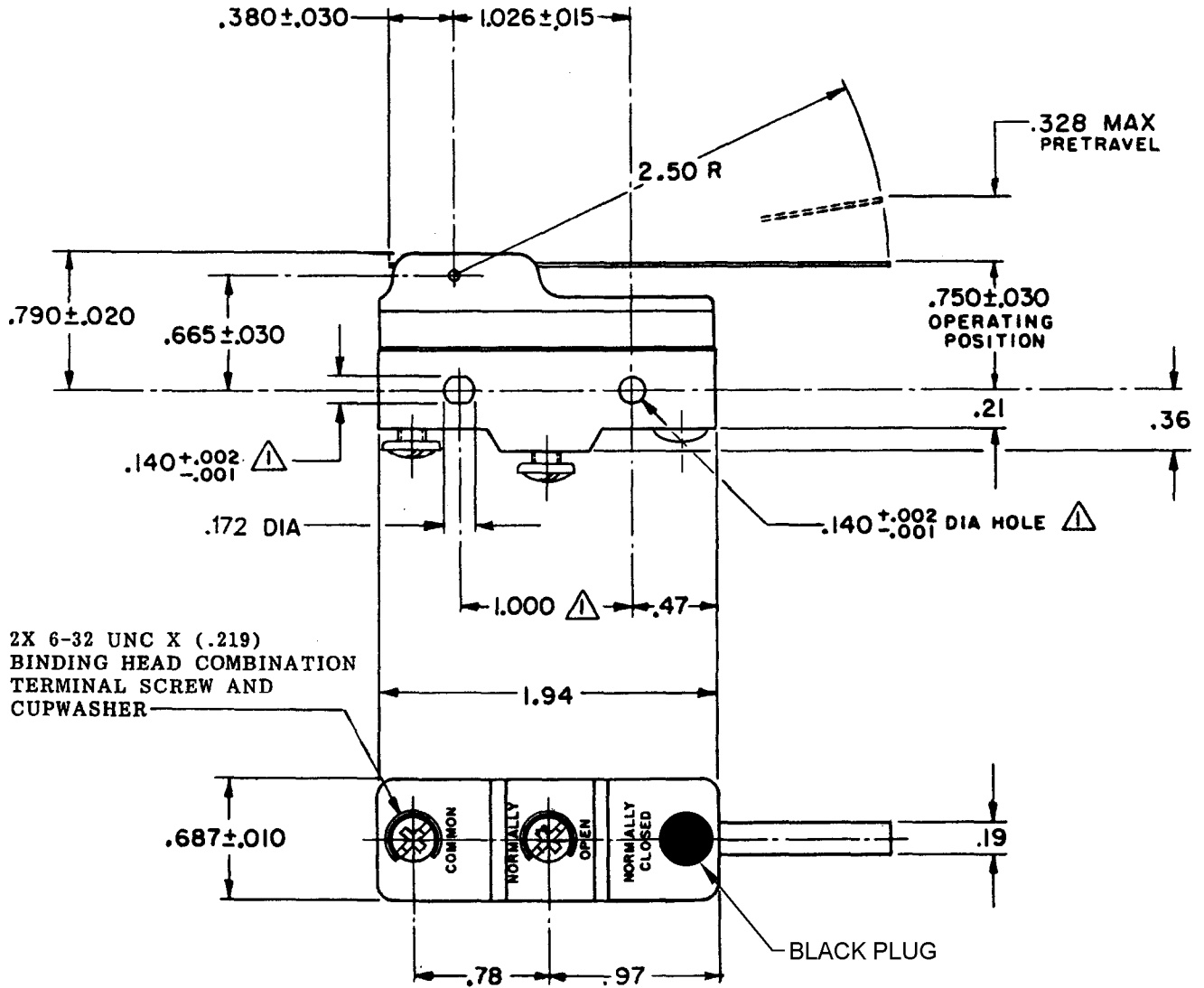
21 APRIL 62

DAW

21 APRIL 62

DAW

21 APRIL 62



REVISIONS

A	CO 16736	GCH	21 APRIL 62
B	CO- 73287-J	JAL	22 NOV 93
C	CO- 77588	KDR	29 MAR 94
D	OBS DWG CO78095	DLT	8 JUL 94
E	REINST PR 21498	DLT	8 FEB 95
F	CO93346	DLT	22 SEP 98
G	0000713	JAH	30 JUN 03
H	0017586	TSG	09JAN06

THIS DRAWING COVERS A PROPRIETARY ITEM AND IS THE PROPERTY OF MICRO SWITCH, A DIVISION OF MINNEAPOLIS-HONEYWELL REGULATOR CO. THIS DRAWING IS NOT TO BE COPIED OR USED WITHOUT THE APPROVAL OF MICRO SWITCH.

CHARACTERISTICS	
OPERATING FORCE	----- 1 OZ MAX
RELEASE FORCE	----- 1/8 OZ MIN
DIFFERENTIAL TRAVEL	----- .007 - .050
OVERTRAVEL	----- .219 MIN

ELECTRICAL DATA	
CONTACT ARRANGEMENT	S P N O
BREAK DISTANCE	.020 MIN
-L96-	15A - 125, 250, OR 480 VAC 1/2 A - 125 VDC; 1/4 A - 250 VDC 1/8 HP - 125 VAC; 1/4 HP - 250 VAC
-L288-	
-L306-	
-L315-	
16A 250V ~ T85 5E4	

SCALE FULL	
DO NOT SCALE PRINT	
UNLESS OTHERWISE SPECIFIED DIMENSIONS ARE IN INCHES	
TOLERANCES ARE:	
ONE PLACE (.0)	± .030
TWO PLACE (.00)	± .015
THREE PLACE (.000)	± .005
ANGLES	±
WEIGHT	.073 LB

RASTER

DRAWN

21 APRIL 62

DAW