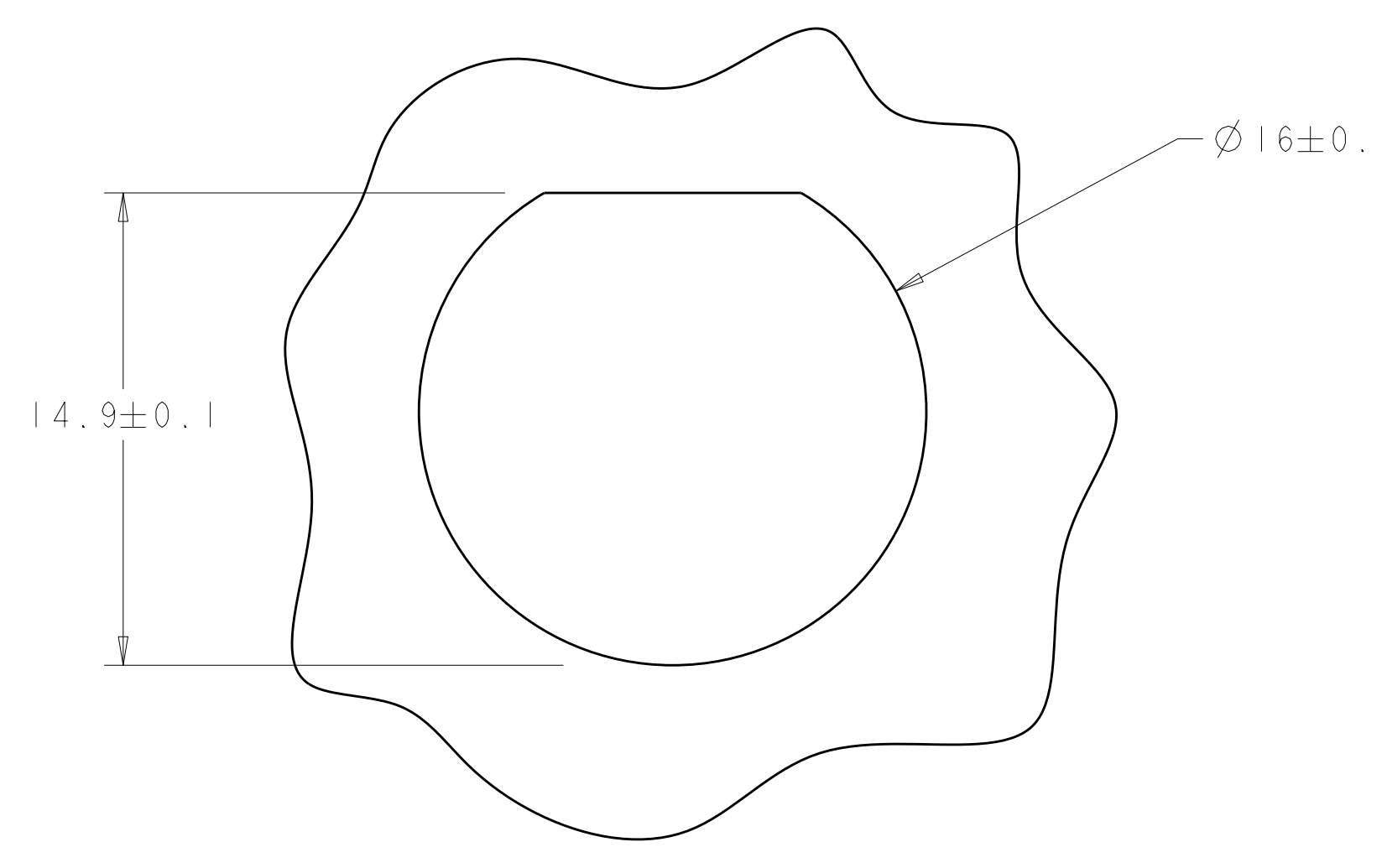
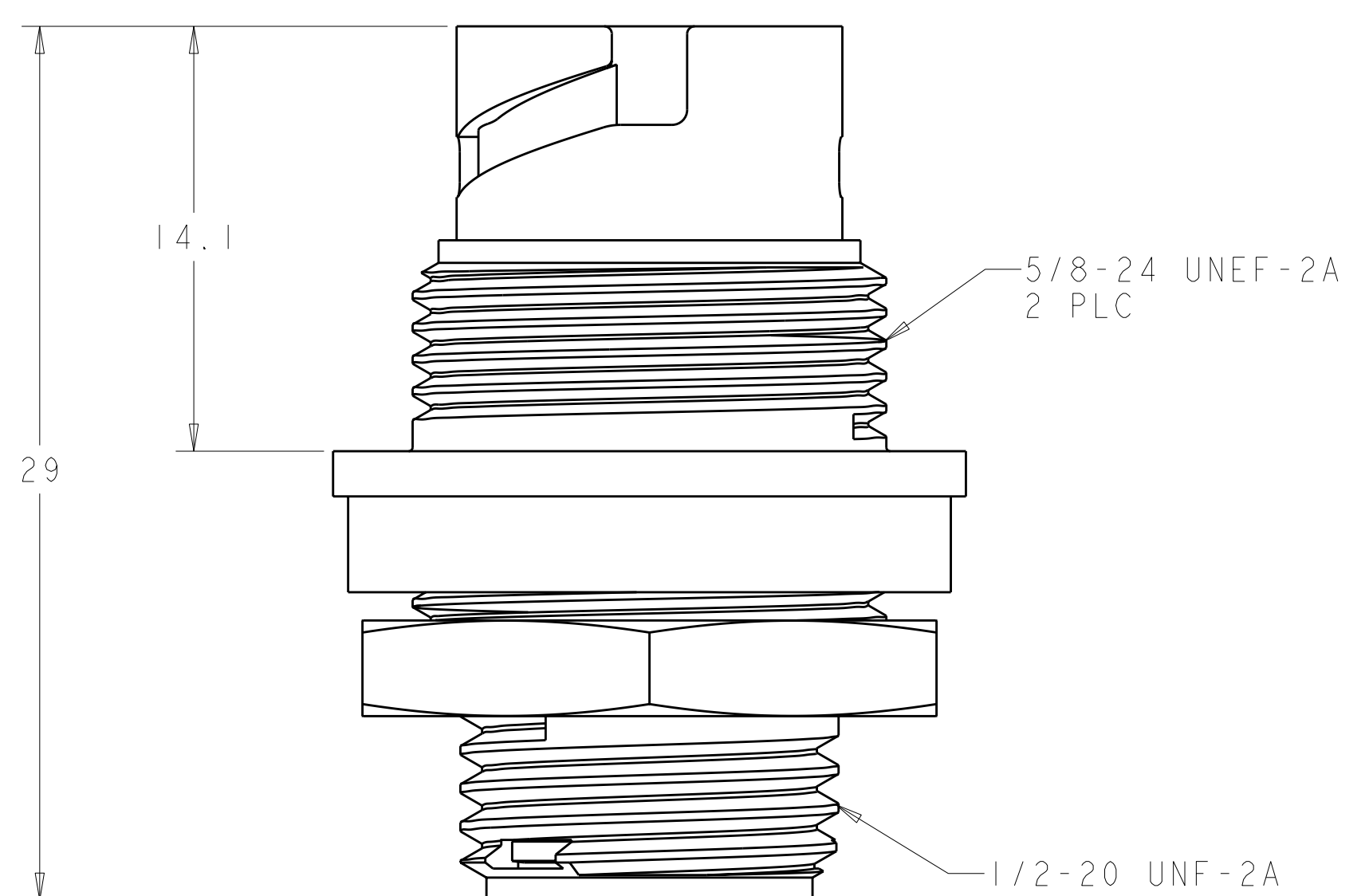
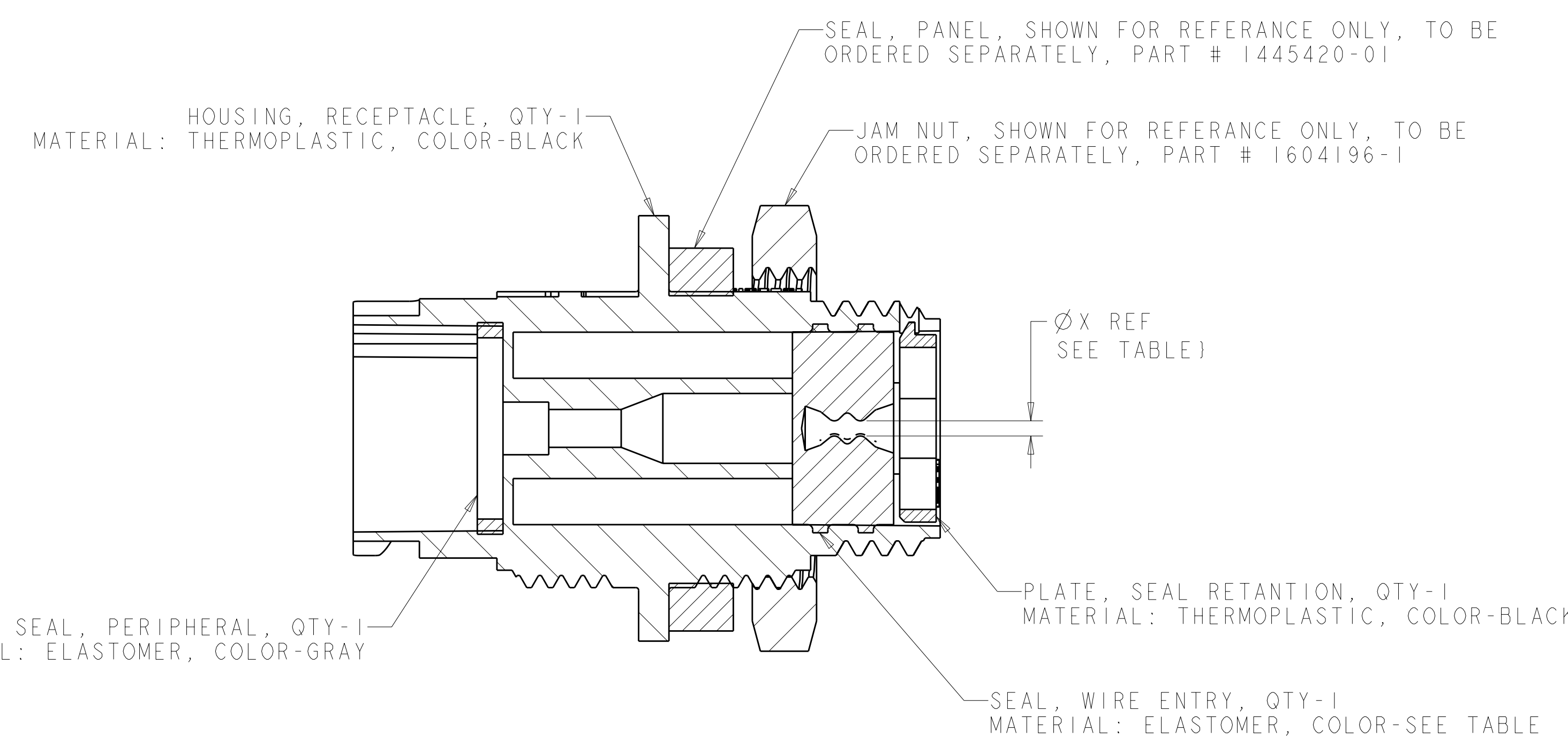
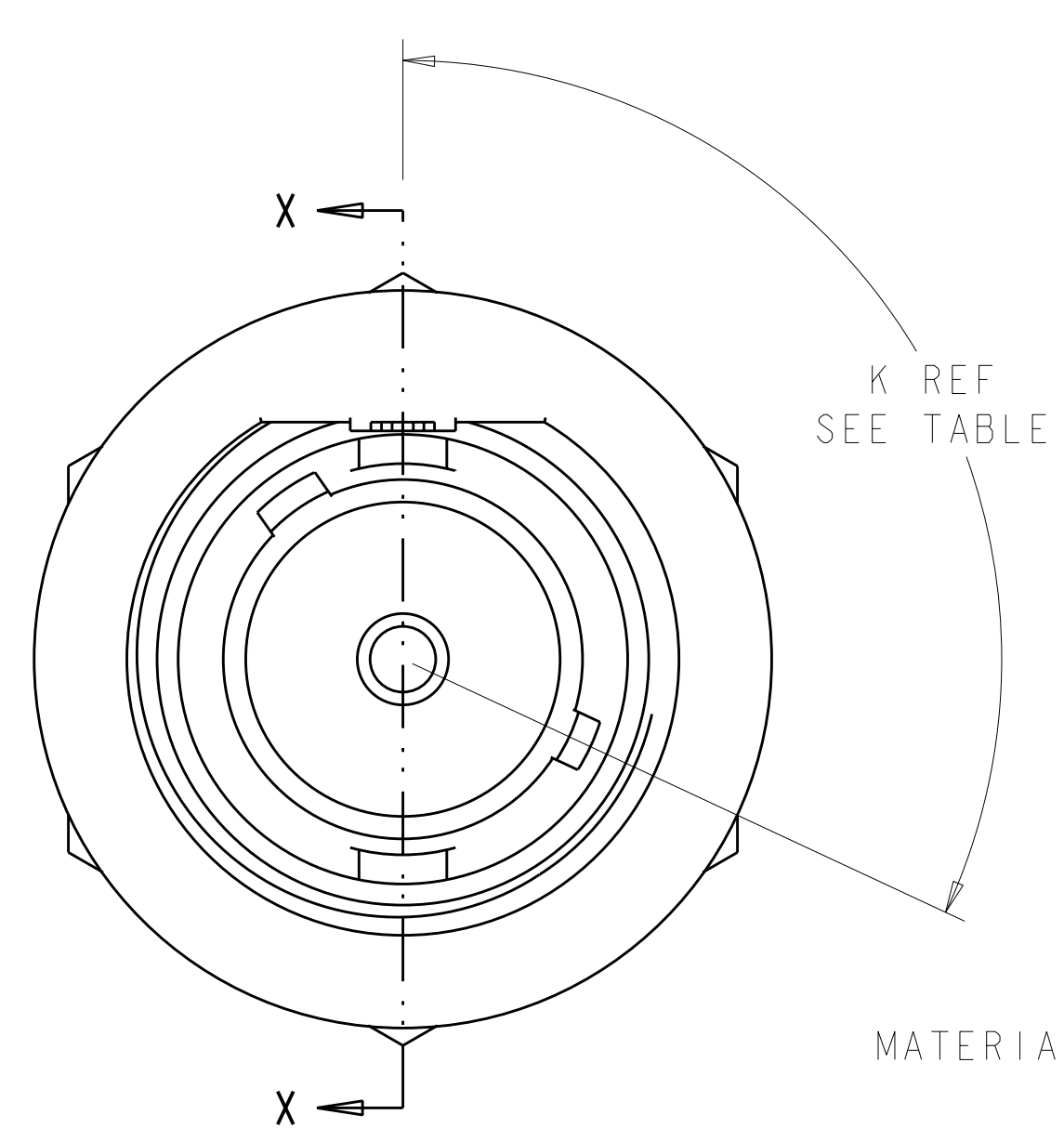
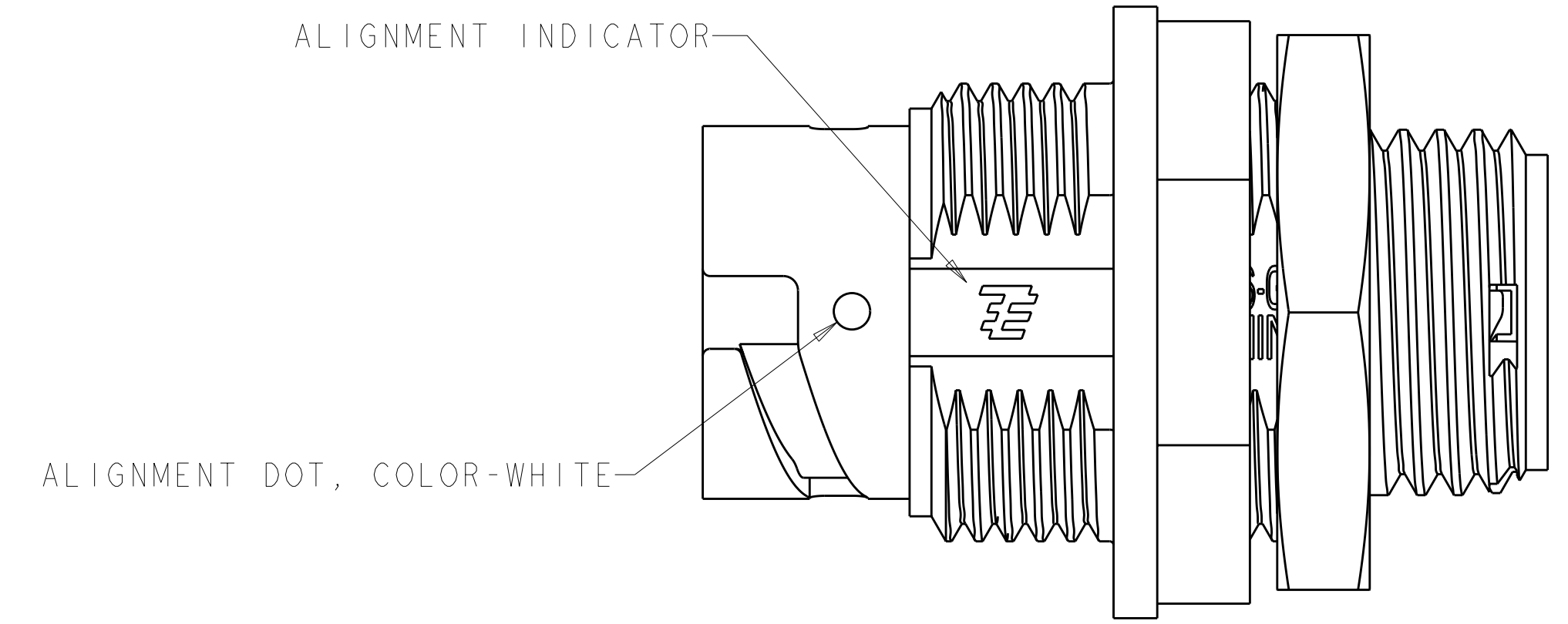


| LOC | | DIST | | REVISIONS | | | |
|-----|---|------|-----|---------------------------|-----------|-----|------|
| FT | 0 | P | LTB | DESCRIPTION | DATE | DWN | APVD |
| | | B1 | | REVISED PER ECO-10-014504 | 19OCT2010 | HMR | MG |



1. CONNECTOR CAN BE FRONT OR REAR PANEL MOUNTED.
 △ MAX PANEL THICKNESS - 3.18

QUALIFICATION TEST PENDING

| | | | |
|------------------------|--------|-------|-------------|
| YELLOW | Ø0.75 | 130° | 1445539-04 |
| NATURAL | Ø1.5 | 115° | 1445539-03 |
| NATURAL | Ø1.5 | 130° | 1445539-02 |
| YELLOW | Ø0.75 | 115° | 1445539-01 |
| SEAL, WIRE ENTRY COLOR | ØX REF | K REF | PART NUMBER |

| DIMENSIONS: | | TOLERANCES UNLESS OTHERWISE SPECIFIED: | | DWN | | Tyco Electronics | |
|-------------|---------------|--|--------------|------------------|-----------|--|---|
| mm | 9 PLC ±.5 | 9 PLC ±.5 | 1 PLC ±0.13 | CS WLEST | 08MAY2001 | Tyco Electronics Harrisburg, PA 17105-3608 | |
| | 2 PLC ±0.13 | 5 PLC ±0.013 | 4 PLC ±0.001 | CHK | G DOUTY | NAME ASSEMBLY, RECEPTACLE, SIZE 8, 1 POSITION, PANEL MOUNT, MINI CPC | |
| | ANGLES ±.0001 | FINISH | | APVD | H WAKEEM | 13JUN2003 | SIZE CAGE CODE DRAWING NO RESTRICTED TO |
| MATERIAL | SEE CALLOUT | | | PRODUCT SPEC | | | A 00779 C=1445539 |
| | | | | APPLICATION SPEC | | | SCALE 5:1 SHEET 1 OF 1 REV B1 |
| | | | | WEIGHT | | | CUSTOMER DRAWING |