

4

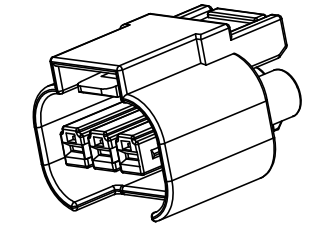
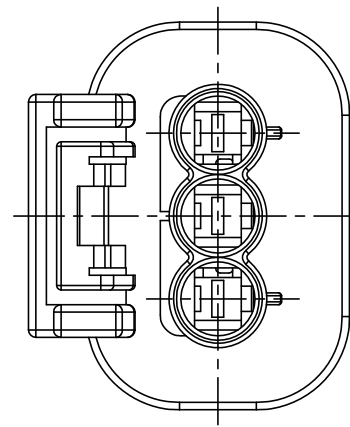
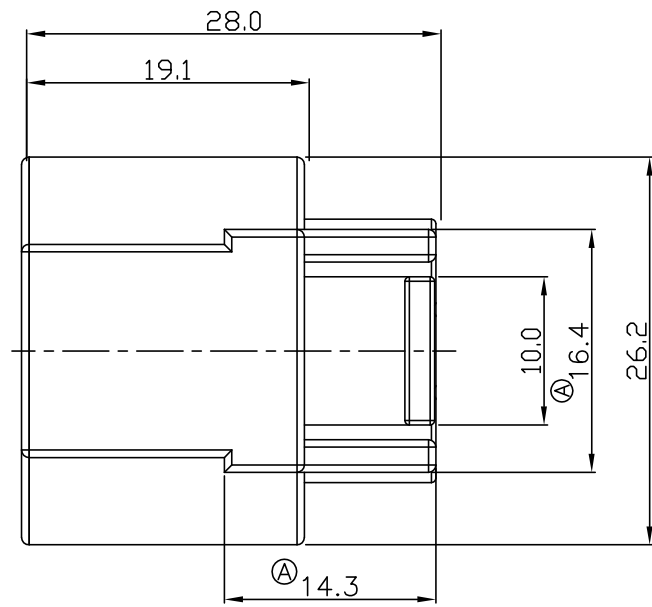
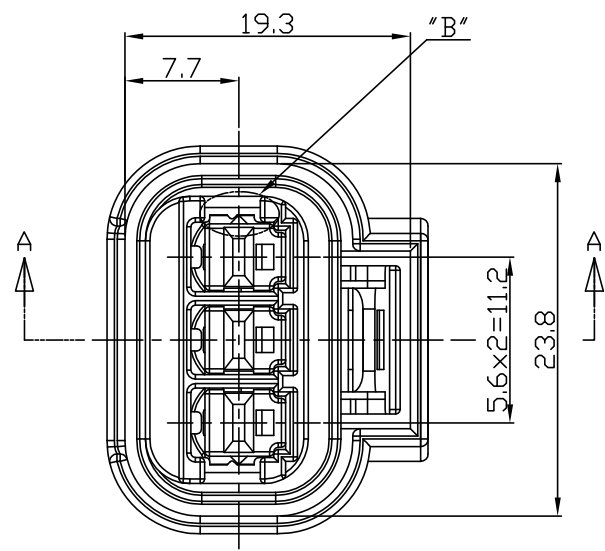
3

2

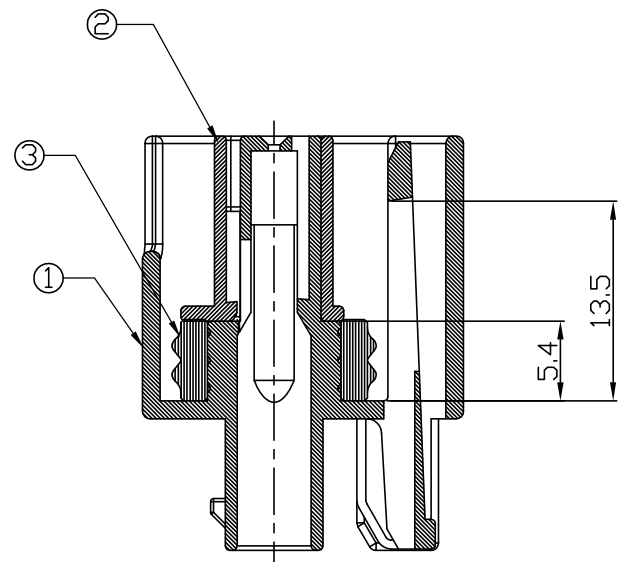
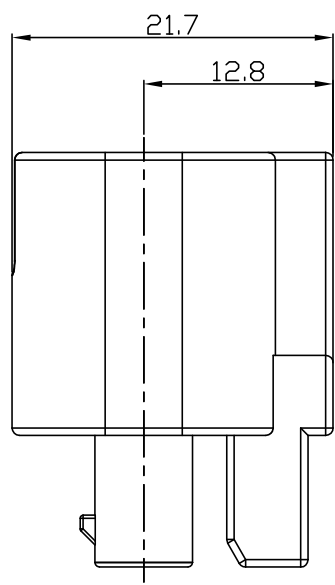
1

THIS DRAWING IS UNPUBLISHED. RELEASED FOR PUBLICATION
© COPYRIGHT BY TYCO ELECTRONICS CORPORATION, ALL RIGHTS RESERVED.

LOC	DIST	REVISIONS					
		P	LTR	DESCRIPTION	DATE	DWN	APVD
DS	-		01	REVISED (ECR-09-008548)	16.APR.'09	KT	HG
			A	REVISED (ECR-10-014219)	26.JUL.'10	SJ	HG



3D VIEW
(SCALE: 1/1)

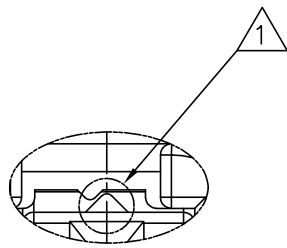


NOTES

- 1. CONDITION OF DELIVERY : DBL PLATE IN OPEN POSITION.
- 2. APPLIED RECEPTACLE CONTACT P/N:

CONTACT	JPT TERMINAL		
Part NO.	927772-3	927770-3	927766-3
WIRE SIZE(mm ²)	0.3	0.5-1.0	1.5-2.5

- 3. APPLIED MALE CONNECTOR P/N : 936292-2
- 4. APPLIED WIRE COVER HSG P/N : 936312-1
(CORRUGATOR DIA : ø5)



DETAIL "B"
SCALE 5:1

A-A

THIS DRAWING IS A CONTROLLED DOCUMENT FOR TYCO ELECTRONICS CORPORATION
IT IS SUBJECT TO CHANGE AND THE CONTROLLING ENGINEERING ORGANIZATION
SHOULD BE CONTACTED FOR THE LATEST REVISION.

DIMENSIONS: MM	TOLERANCES UNLESS OTHERWISE SPECIFIED: 0 <XX<10 ± 0.2 10<XX<30 ± 0.25 30<XX ± 0.3 ANGLES ± 3°
MATERIAL SEE TABLE	FINISH

DWN SJ CHOI	NAME Tyco Electronics Tyco Electronics kyungsan, korea	
CHK JW JUNG		
APVD HG CHO		
PRODUCT SPEC -		
APPLICATION SPEC -	SIZE A3	
WEIGHT -	CAGE CODE 00779	
CUSTOMER DRAWING		DRAWING NO 936251
SCALE 2/1		RESTRICTED TO -

NO.	DESCRIPTION	P/N	MATERIAL	COLOR	QTY
3	INNER SEAL	936822-1	SILICON	RED ORANGE	1
2	DBL PLATE	936253-1	PBT GF10	WHITE	1
1	PLUG HSG	936252-1	PBT	BLACK	1

ASSY P/N
936251-2

SCALE 2/1	SHEET 1 OF 1	REV A
-----------	--------------	-------