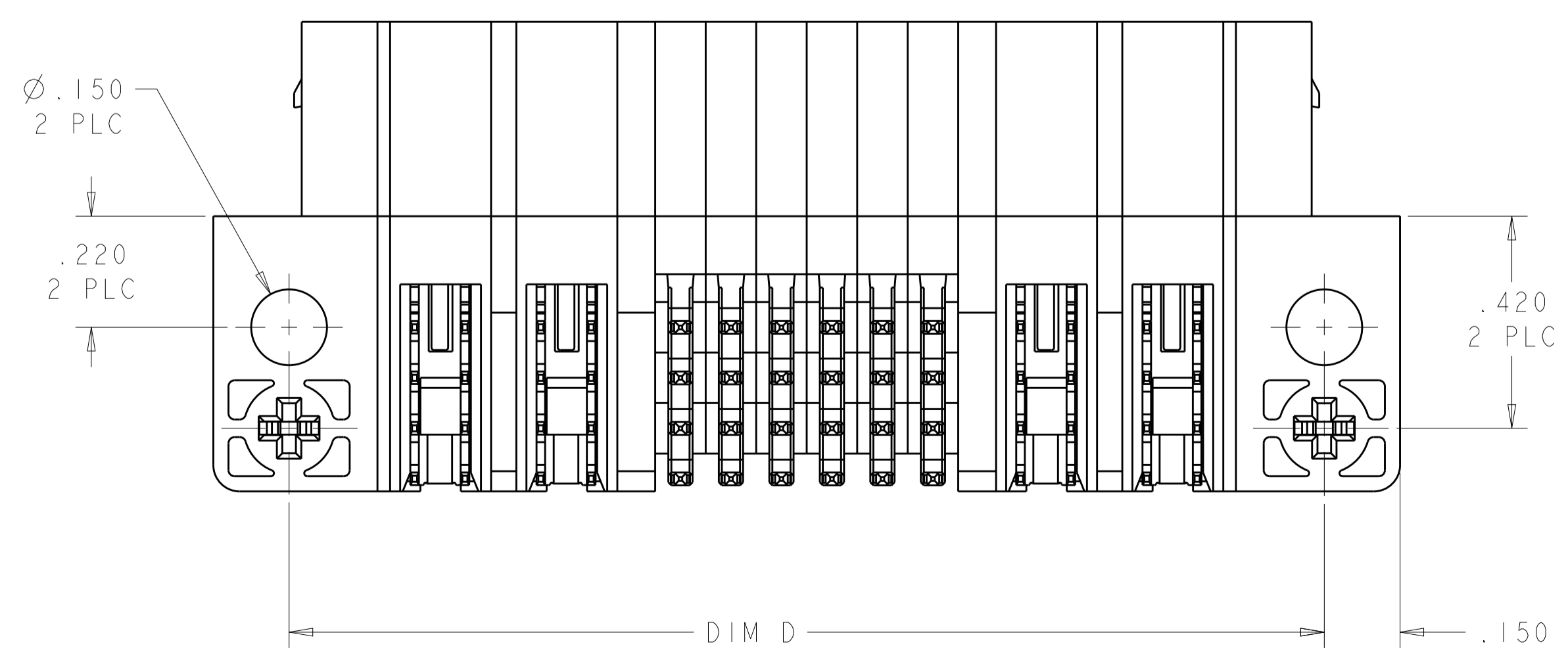
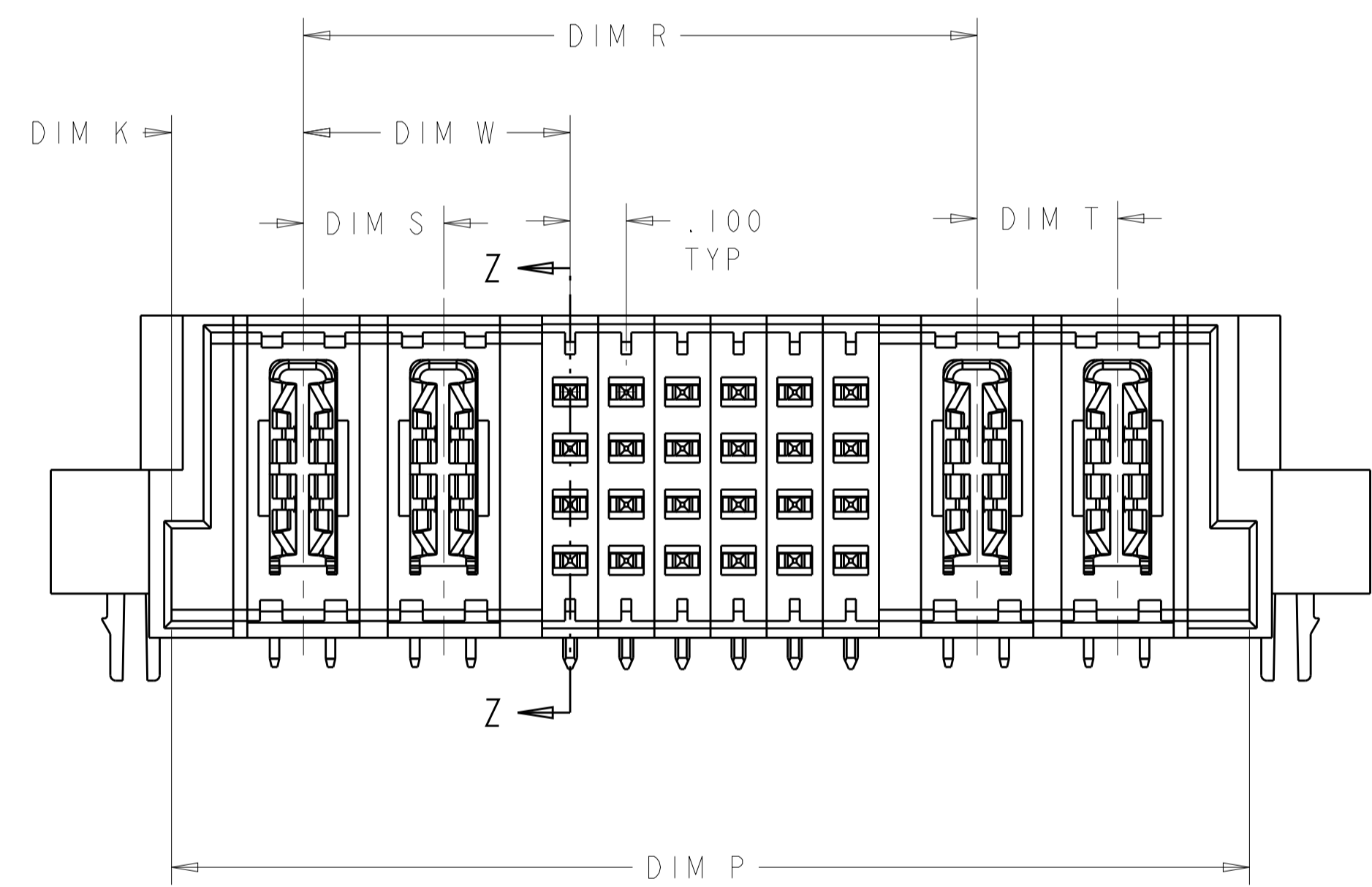
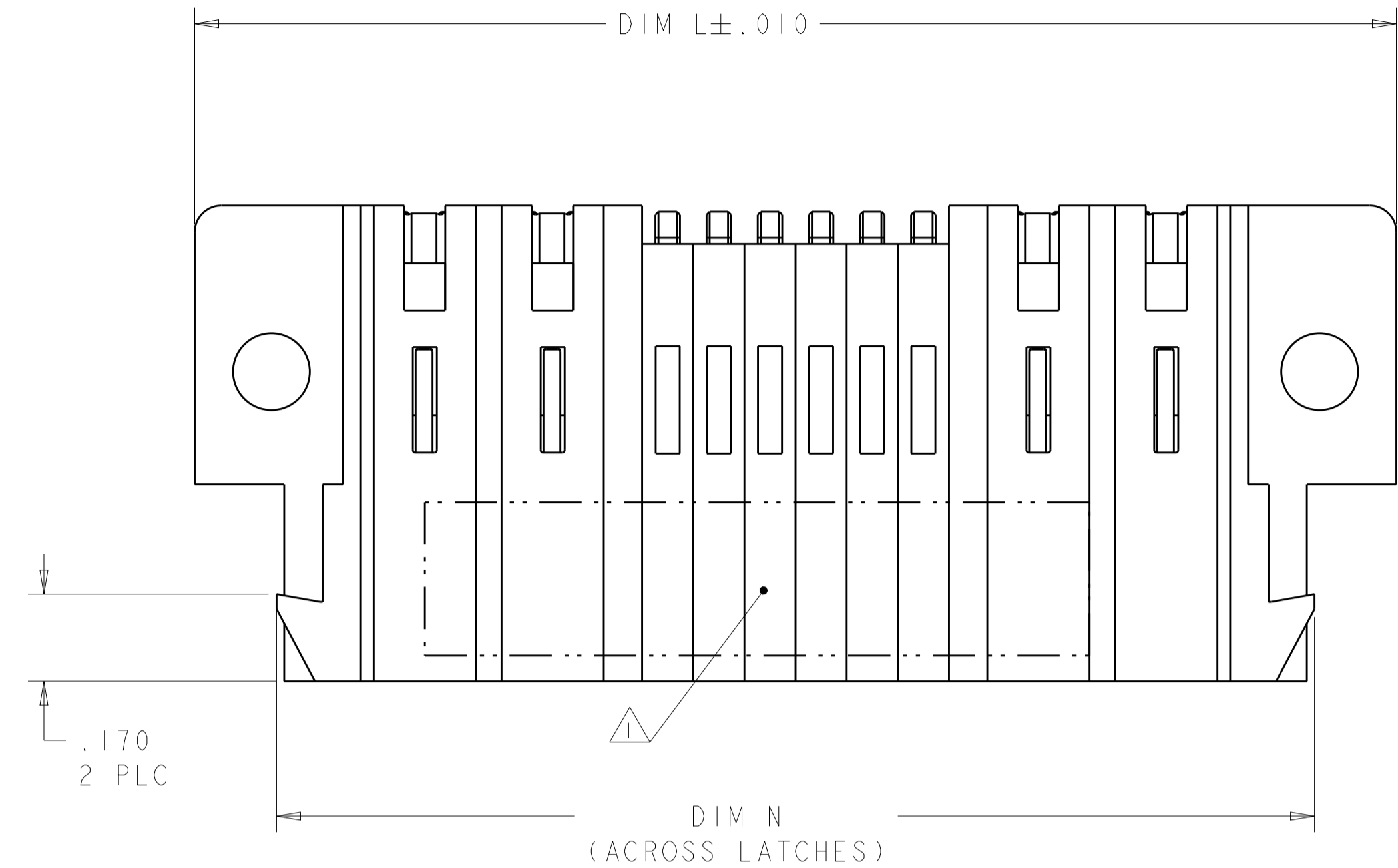
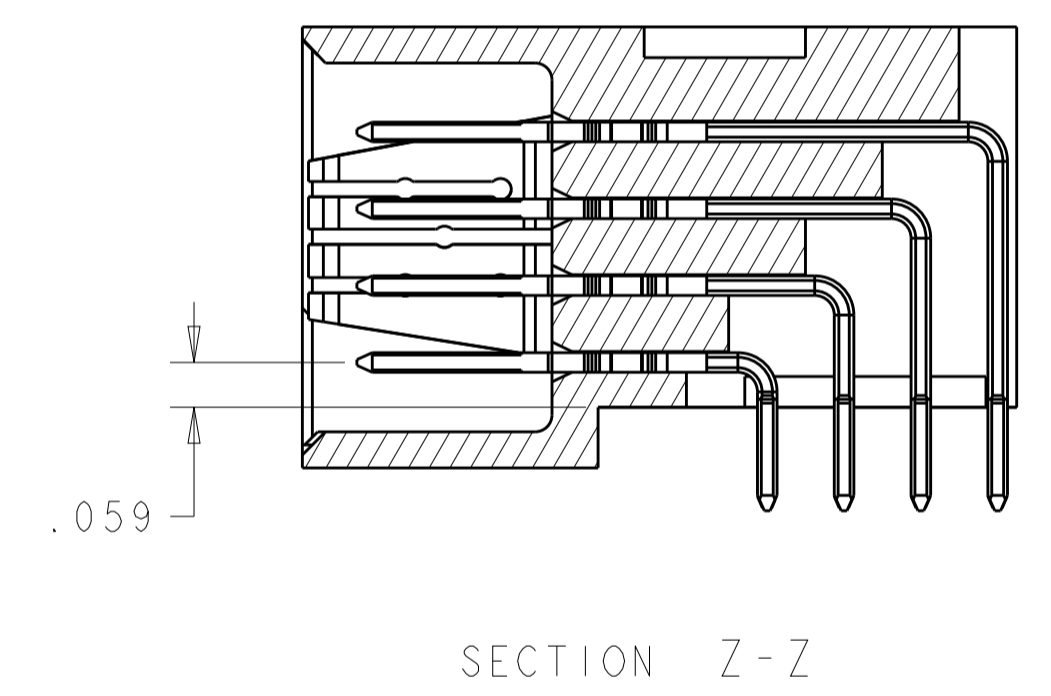
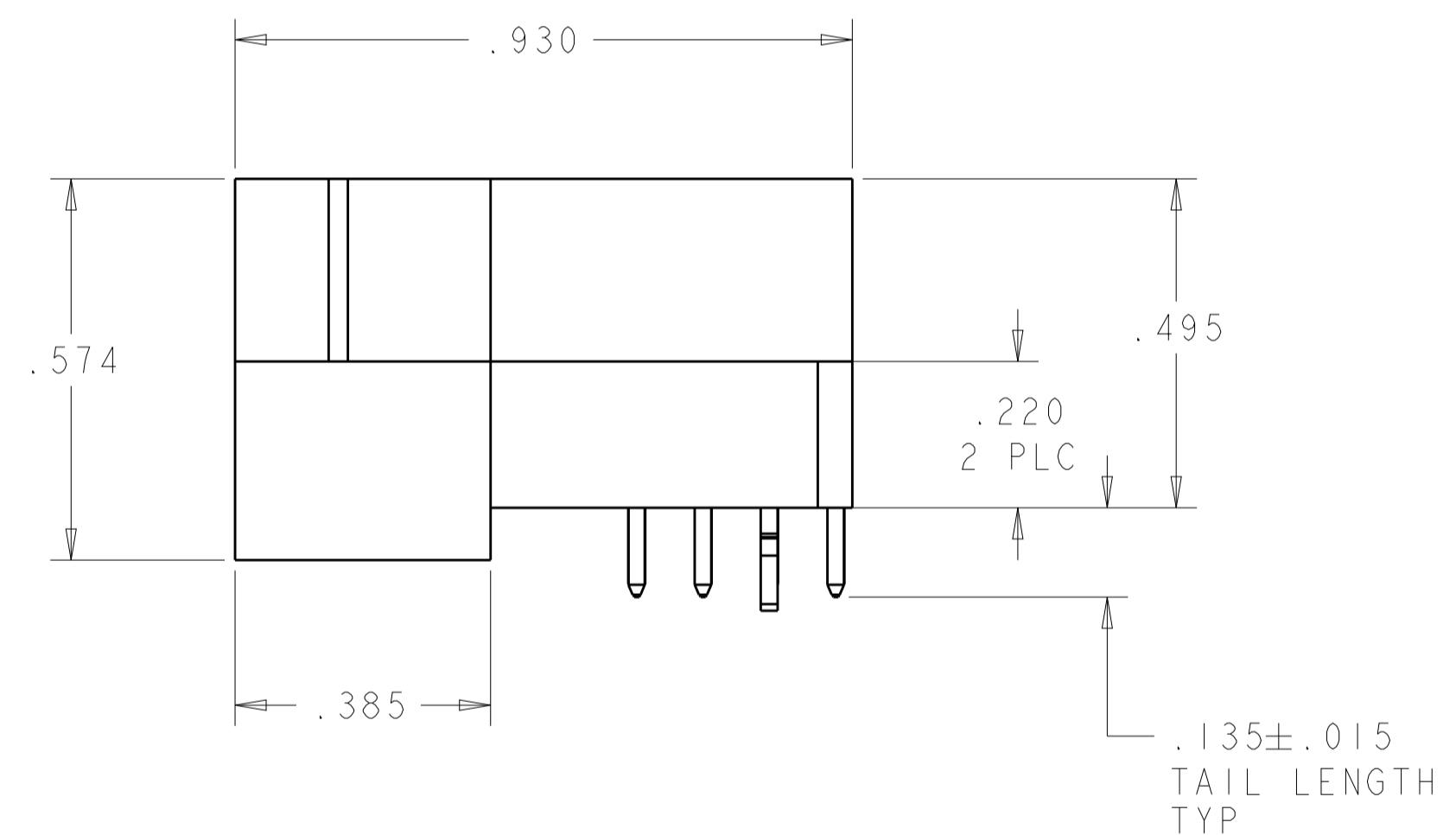


LOC		DIST		REVISIONS			
GP	00	P	LTM	DESCRIPTION	DATE	DMN	APVD
		D1		ADD NEW PART -12	160CT2012	AY	SZ



- 1 "AMP" PART NUMBER AND DATE CODE TO BE MARKED IN AREA SHOWN. PARTS UNDER 2.500 LONG MAY BE MARKED ON BOTH SIDES.
- 2 MATERIAL: HOUSING - GLASS FILLED HIGH TEMP THERMO PLASTIC, UL 94 V-0  
 SIGNAL CONTACT - COPPER ALLOY  
 POWER CONTACT - HIGH CONDUCTIVITY COPPER ALLOY.
- 3 CONTACT PLATING: NOBLE METAL PLATING AT CONTACT FUNCTIONAL AREA OF SIGNAL CONTACT AND POWER CONTACT.
- 4 MECHANICAL CONNECTOR KEEP OUT ZONE. WHEN PLACING CONNECTORS END-TO-END, ALLOW ADDITIONAL 0.1 CLEARANCE BETWEEN CONNECTORS FOR LATCH ACTIVATION.
- 5 DATUM AND BASIC DIMENSIONS ESTABLISHED BY CUSTOMER.
- 6 PCB - ALL HOLE DIAMETERS ARE FINISHED HOLE SIZES.
- 7 PCB - .0453±.0010 DRILLED HOLES PLATED WITH .0003 MIN Sn OVER .001 TO .003 Cu PLATING TO ACHIEVE A .040 DIA HOLE.
- 8 NOT RELEASED FOR PRODUCTION.



DIM P	DIM N	DIM D	DIM R	DIM W	DIM T	DIM S	DIM L	DIM K	DESCRIPTION	PART NUMBER
1.120	1.230	1.250	.700	.200	-	-	1.550	.210	1P + 16S + 1P	1-6450128-2
2.970	3.080	3.100	1.800	.850	.300	.300	3.400	.285	3ACP + 32S + 3ACP	1-6450128-1
2.770	2.880	2.900	1.600	.850	.300	.300	3.200	.285	3ACP + 24S + 3ACP	1-6450128-0
1.520	1.630	1.650	-	.925	-	.250	1.950	.235	4P + 12S + 0P	6450128-9
3.920	4.030	4.050	2.200	1.475	.250	.250	4.350	.235	6P + 24S + 6P	6450128-8
2.920	3.030	3.050	1.700	.975	.250	.250	3.350	.235	4P + 24S + 4P	6450128-5
1.920	2.030	2.050	1.200	.475	.250	.250	2.350	.235	2P + 24S + 2P	6450128-2
1.420	1.530	1.550	.950	.225	-	-	1.850	.235	1P + 24S + 1P	6450128-1

THIS DRAWING IS A CONTROLLED DOCUMENT.

DMN: R. GRZYBOWSKI TOFEB05  
 CHK: M. PERCHERKE TOFEB05  
 APVD: M. PERCHERKE

NAME: RIGHT ANGLE HEADER ASSEMBLY W/END LATCHES MULTI-BEAM XL

PRODUCT SPEC: 108-1973  
 APPLICATION SPEC: 114-13038

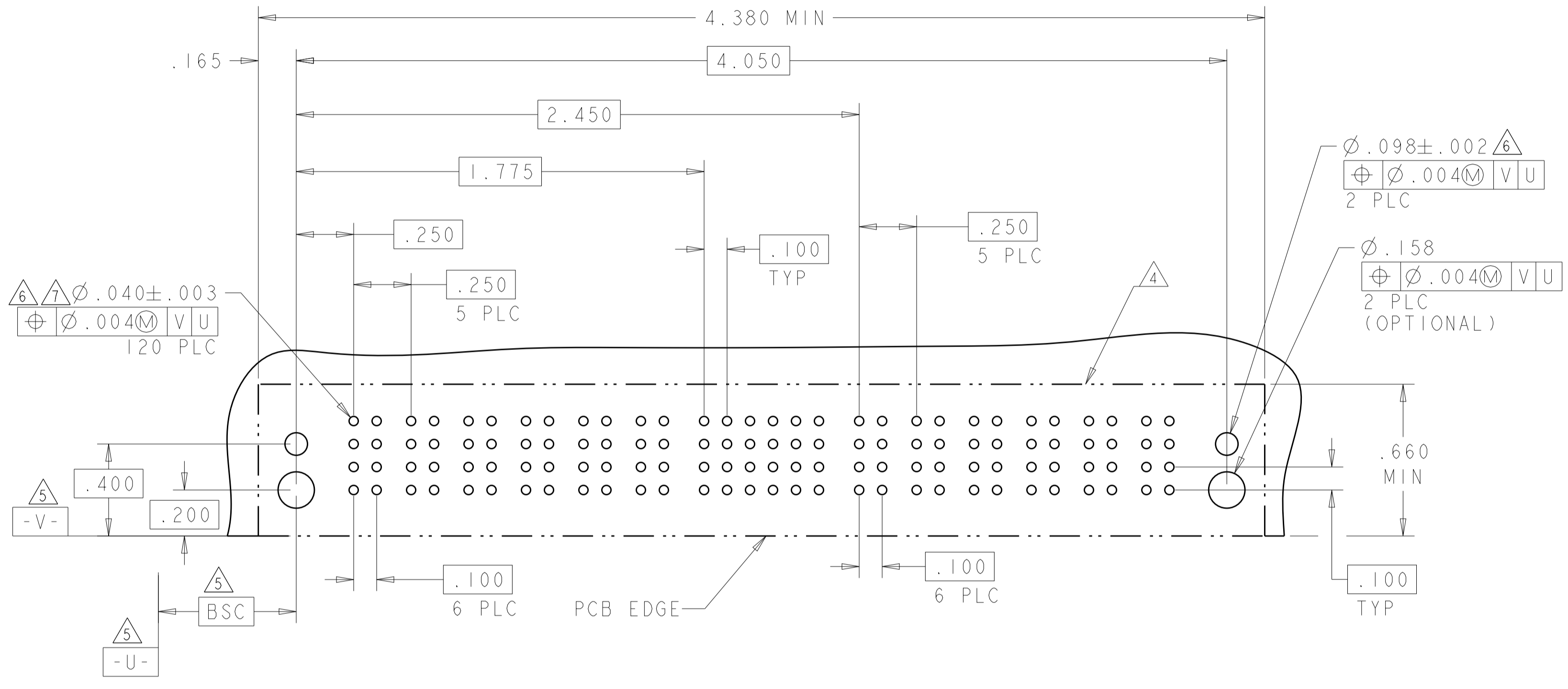
SIZE: 114-13038  
 WEIGHT: -  
 CUSTOMER DRAWING

SCALE: 4:1 SHEET 1 OF 5 REV: D1

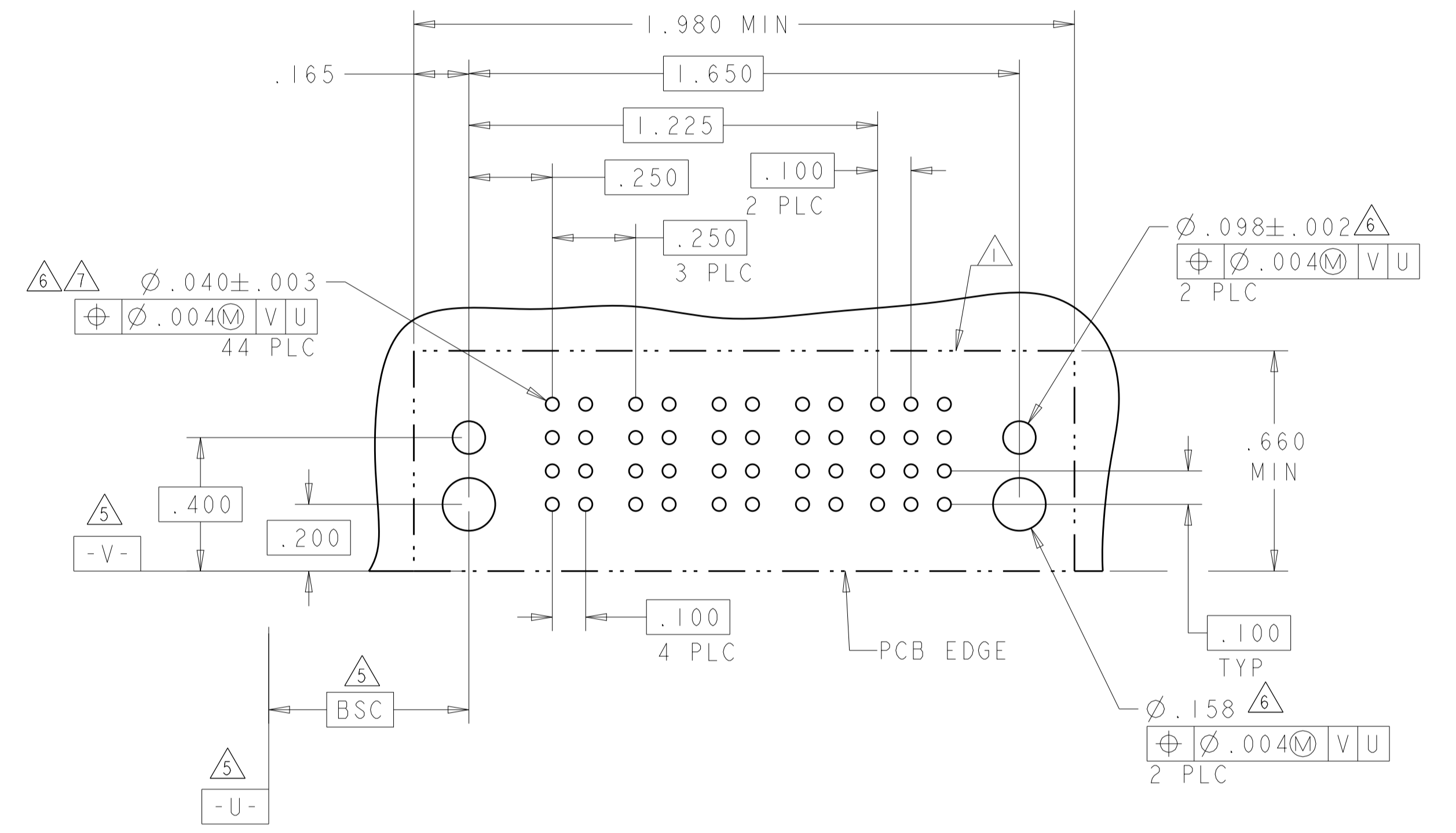


LOC	DIST	REV	DATE	OWN	APVD
GP	00				
P LTH		DESCRIPTION		DATE	OWN
		SEE SHEET 1			

PART NUMBER	ROWS	POWER						SIGNAL						POWER					
		P1	P2	P3	P4	P5	P6	1	2	3	4	5	6	P7	P8	P9	P10	P11	P12
6450128-8	D C B A	PM	PM	PM	PM	PM	E	E	E	E	E	J	PM	PM	PM	PM	PM	PM	
							F	F	F	F	F	F							
							G	G	G	G	G	G							
							S	H	H	H	H	H							
6P + 24S + 6P		HD						HD											



PART NUMBER	ROWS	POWER				SIGNAL		
		P1	P2	P3	P4	1	2	3
6450128-9	D C B A	PM	PM	PM	PM	J	J	J
						K	K	K
						N	N	N
						S	S	S
4P + 12S + 0P		HD				HD		

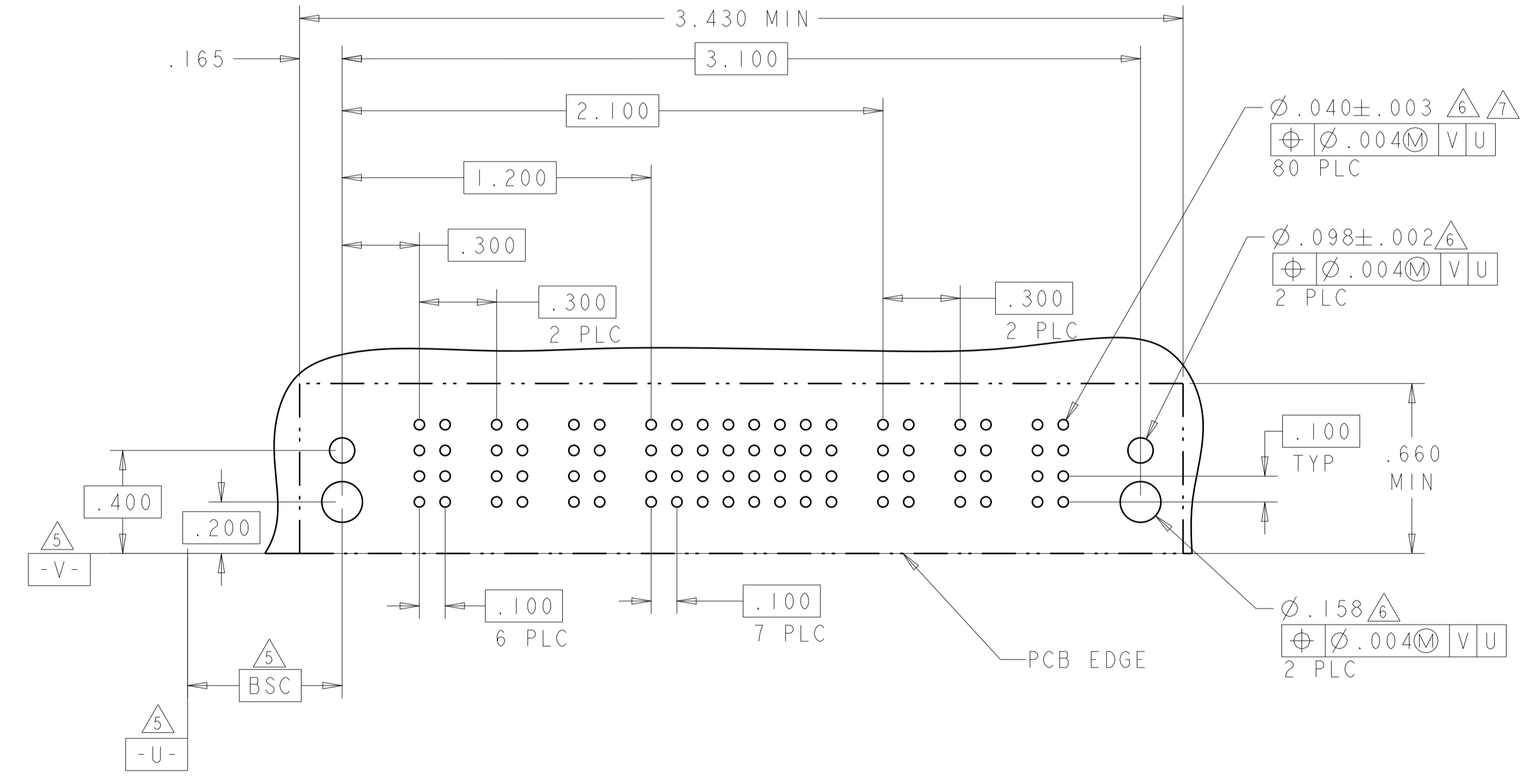
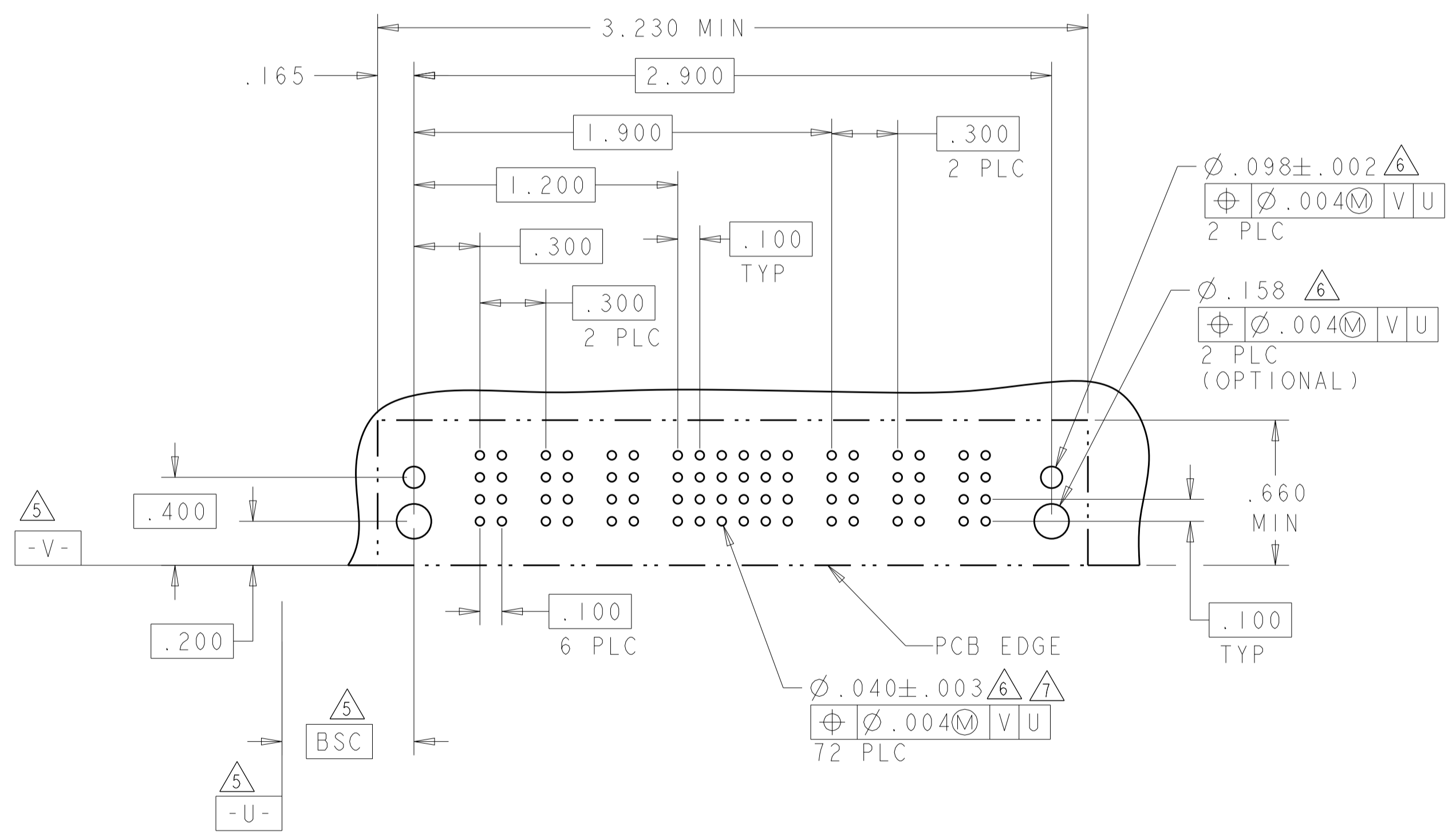


THIS DRAWING IS A CONTROLLED DOCUMENT.		OWN: R. GRZYBOWSKI	TOFEBOS		TE Connectivity
DIMENSIONS: INCHES		CHK: M. PERCHERKE	TOFEBOS		NAME: RIGHT ANGLE HEADER ASSEMBLY W/END LATCHES MULTI-BEAM XL
TOLERANCES UNLESS OTHERWISE SPECIFIED:		APVD: M. PERCHERKE		PRODUCT SPEC: 108-1973	
0 PLC ± .01				APPLICATION SPEC: 114-13038	
1 PLC ± .01				SIZE: A1	
2 PLC ± .01				CAGE CODE: 00779	
3 PLC ± .005				DRAWING NO: 6450128	
4 PLC ± .002				RESTRICTED TO: -	
ANGLES ± .020				SCALE: 4:1	
FINISH: -				SHEET: 3 OF 5	
MATERIAL: -				REV: D1	
				CUSTOMER DRAWING	

LOC	DIST	REVISIONS			
P	LTN	DESCRIPTION	DATE	DMN	APVD
-	-	SEE SHEET 1	-	-	-

PART NUMBER	ROWS	POWER			SIGNAL						POWER		
		P1	P2	P3	1	2	3	4	5	6	P4	P5	P6
I-6450128-0	D	PM	PM	PM	J	J	J	J	J	J	PM	PM	PM
	C				K	K	K	K	K	K			
	B				N	N	N	N	N	N			
	A				S	S	S	S	S	S			
		3ACP + 24S + 3ACP		HD		HD							

PART NUMBER	ROWS	POWER			SIGNAL								POWER		
		P1	P2	P3	1	2	3	4	5	6	7	8	P4	P5	P6
I-6450128-1	D	PM	PM	PM	J	J	J	J	J	J	J	J	PM	PM	PM
	C				K	K	K	K	K	K	K				
	B				N	N	N	N	N	N	N				
	A				S	S	S	S	S	S	S				
		3ACP + 32S + 3ACP		HD		HD									



THIS DRAWING IS A CONTROLLED DOCUMENT.

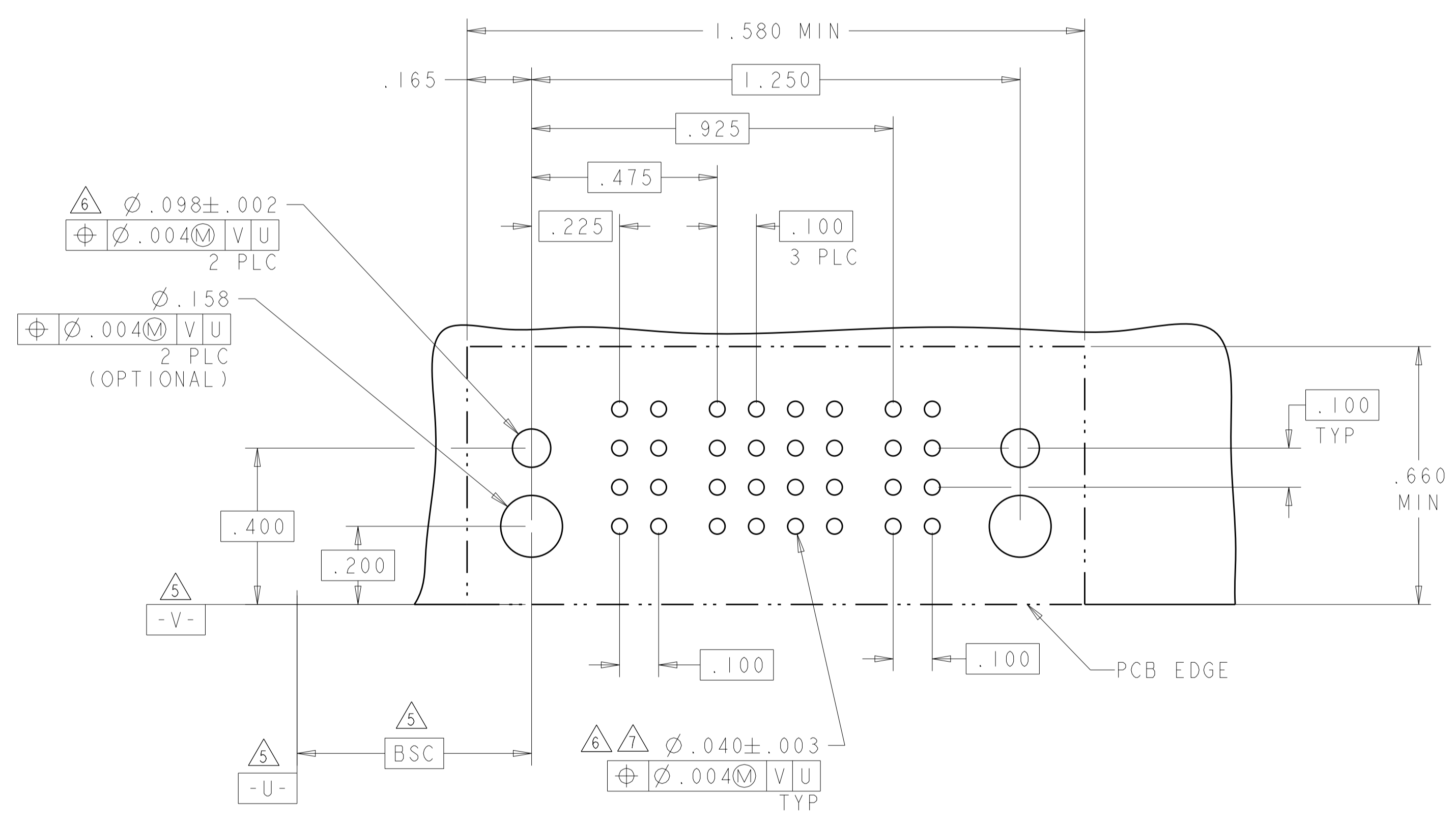
DIMENSIONS: INCHES	TOLERANCES UNLESS OTHERWISE SPECIFIED: 0 PLC ±. 1 PLC ±.01 2 PLC ±.01 3 PLC ±.005 4 PLC ±.0020 ANGLES ±.2°	DMN: R. GRZYBOWSKI CHK: M. PERCHERKE APVD: M. PERCHERKE	TOFEB05 TOFEB05		TE Connectivity
MATERIAL: -	FINISH: -	NAME: - PRODUCT SPEC: 108-1973 APPLICATION SPEC: 114-13038 WEIGHT: -	SIZE: A1 CAGE CODE: 100779 DRAWING NO: 6450128		RESTRICTED TO: -

CUSTOMER DRAWING

LOC	DIST	REVISIONS					
GP	00	P	LTN	DESCRIPTION	DATE	DWN	APVD
		-		SEE SHEET 1		-	-

PART NUMBER	ROWS		POWER		SIGNAL				POWER	
			PI		1	2	3	4	P2	
I-6450128-2	D	HD	PM		J	J	J	J	PM	HD
	C				K	K	K	K		
	B				N	N	N	N		
	A				S	S	S	S		
IP + 16S + IP										

(D1)



THIS DRAWING IS A CONTROLLED DOCUMENT.		DWN: R. GRZYBOWSKI CHK: M. PERCHERKE	10FEB05	TE Connectivity
DIMENSIONS: INCHES		APVD: M. PERCHERKE	10FEB05	
TOLERANCES UNLESS OTHERWISE SPECIFIED: 0 PLC ±. 1 PLC ±. 2 PLC ±.01 3 PLC ±.005 4 PLC ±.0020 ANGLES ±2°		NAME: RIGHT ANGLE HEADER ASSEMBLY W/END LATCHES MULTI-BEAM XL	PRODUCT SPEC: 108-1973	RESTRICTED TO:
MATERIAL: -		APPLICATION SPEC: 114-13038	SIZE: A1	CAGE CODE: 00779
FINISH: -		WEIGHT: -	DRAWING NO: 6450128	REV: D1
CUSTOMER DRAWING		SCALE: 4:1	SHEET: 5 OF 5	