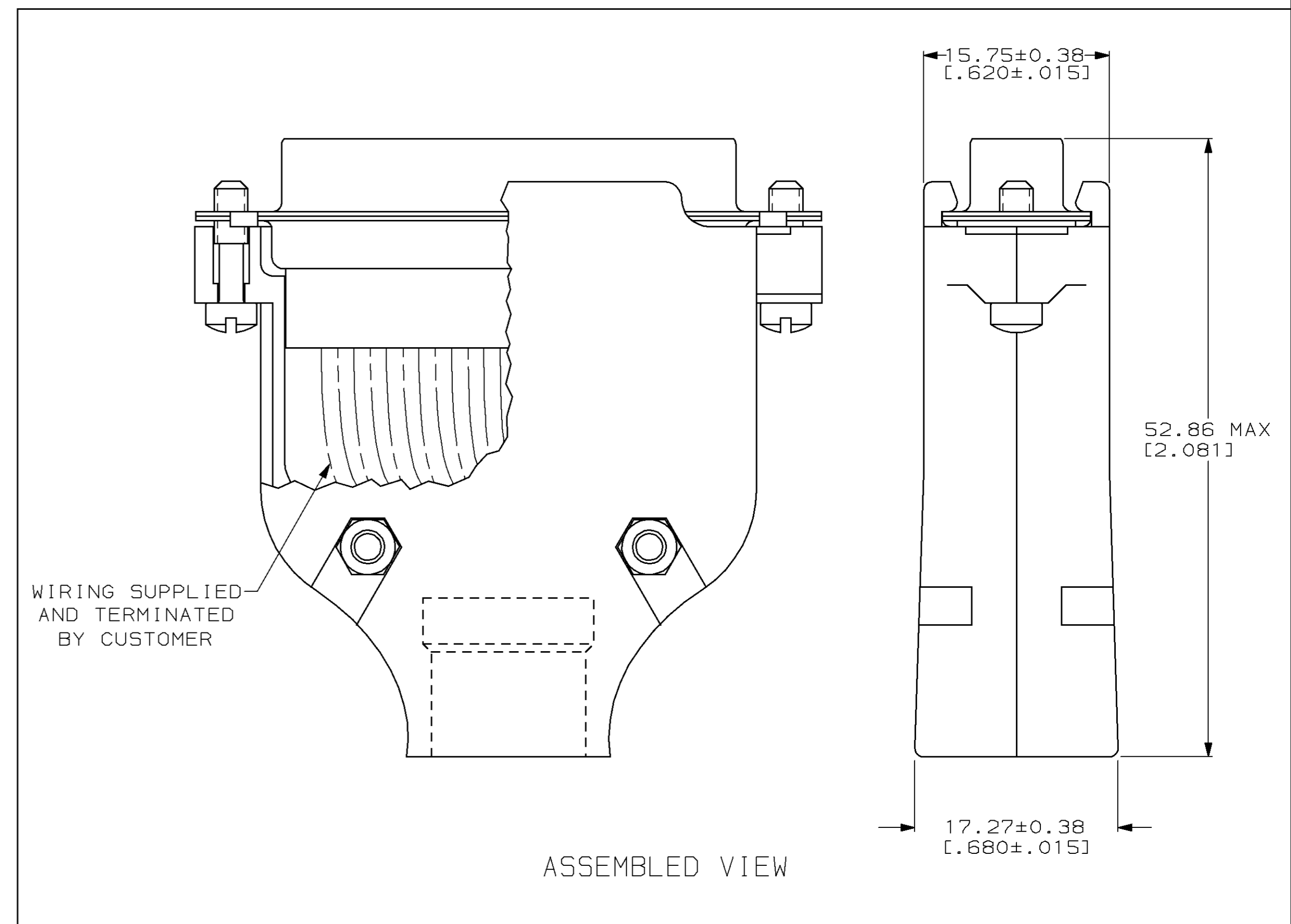
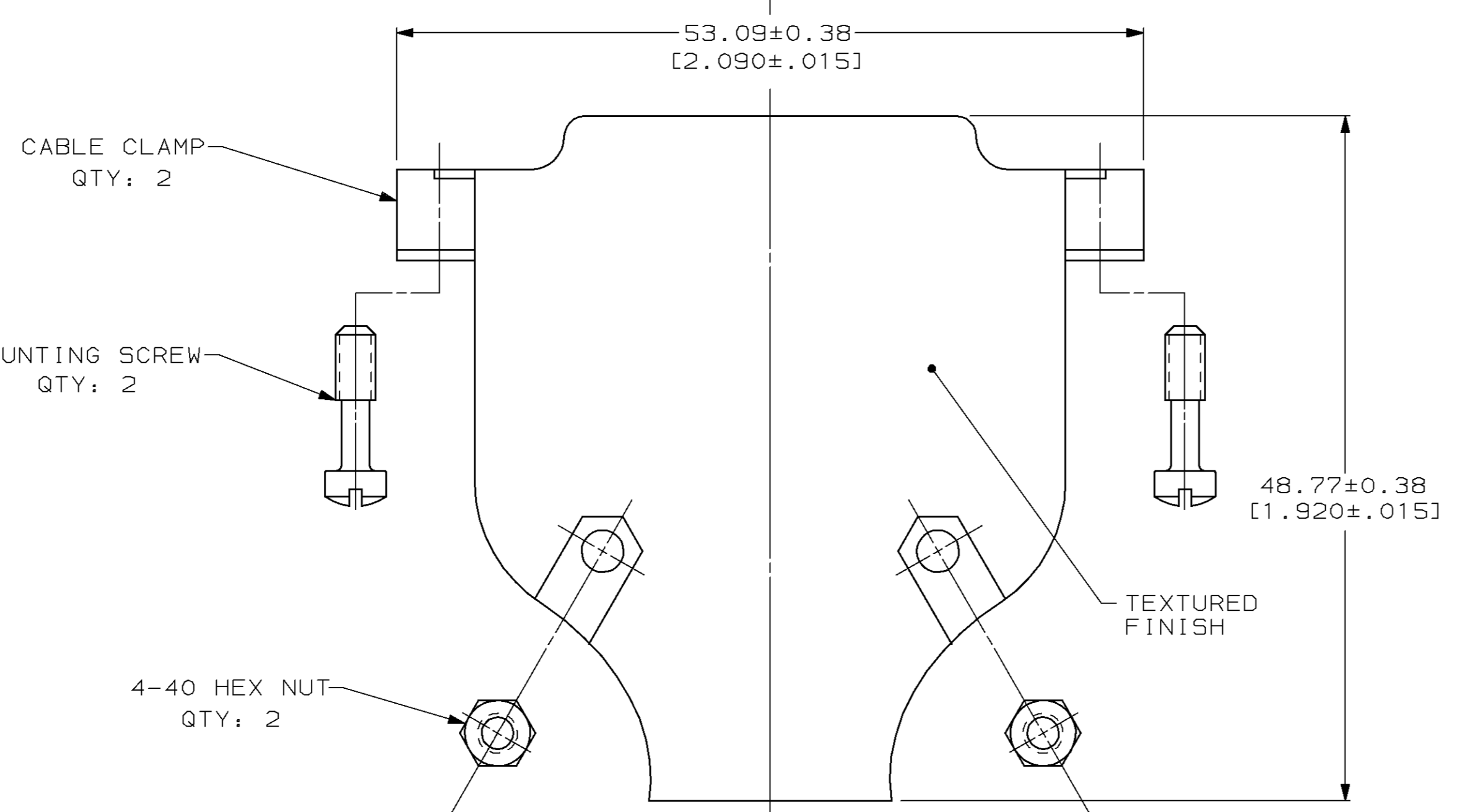
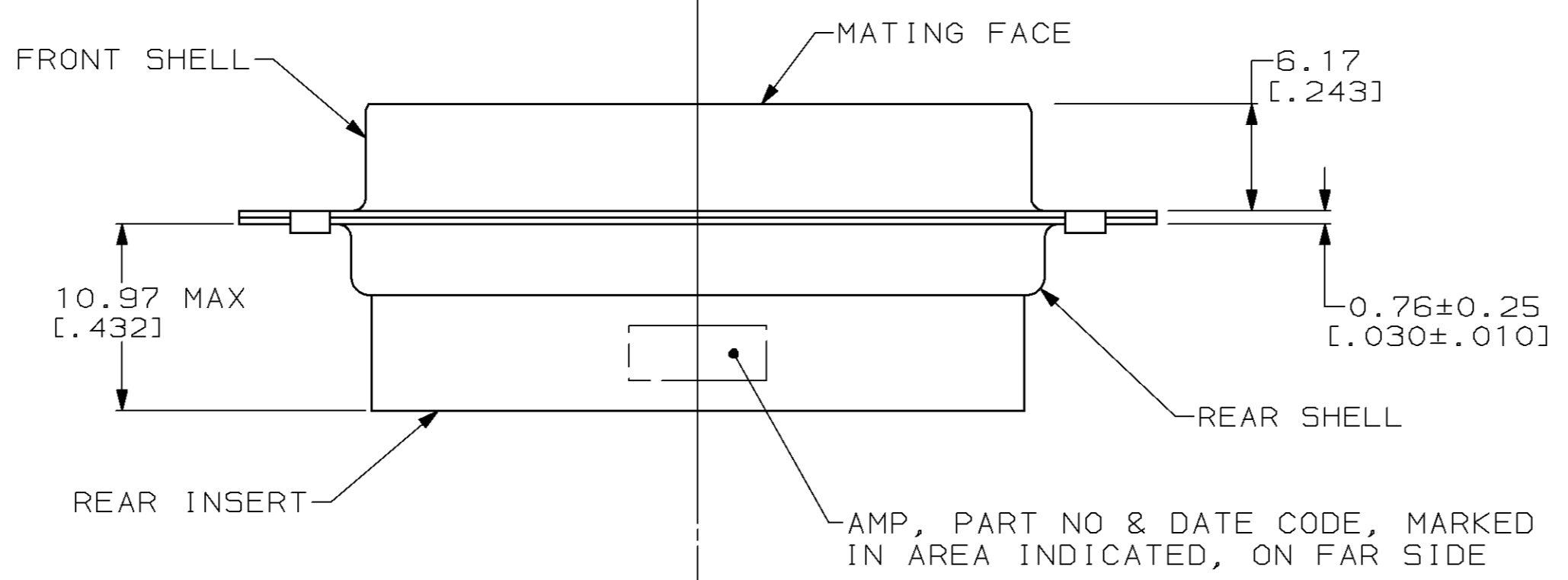
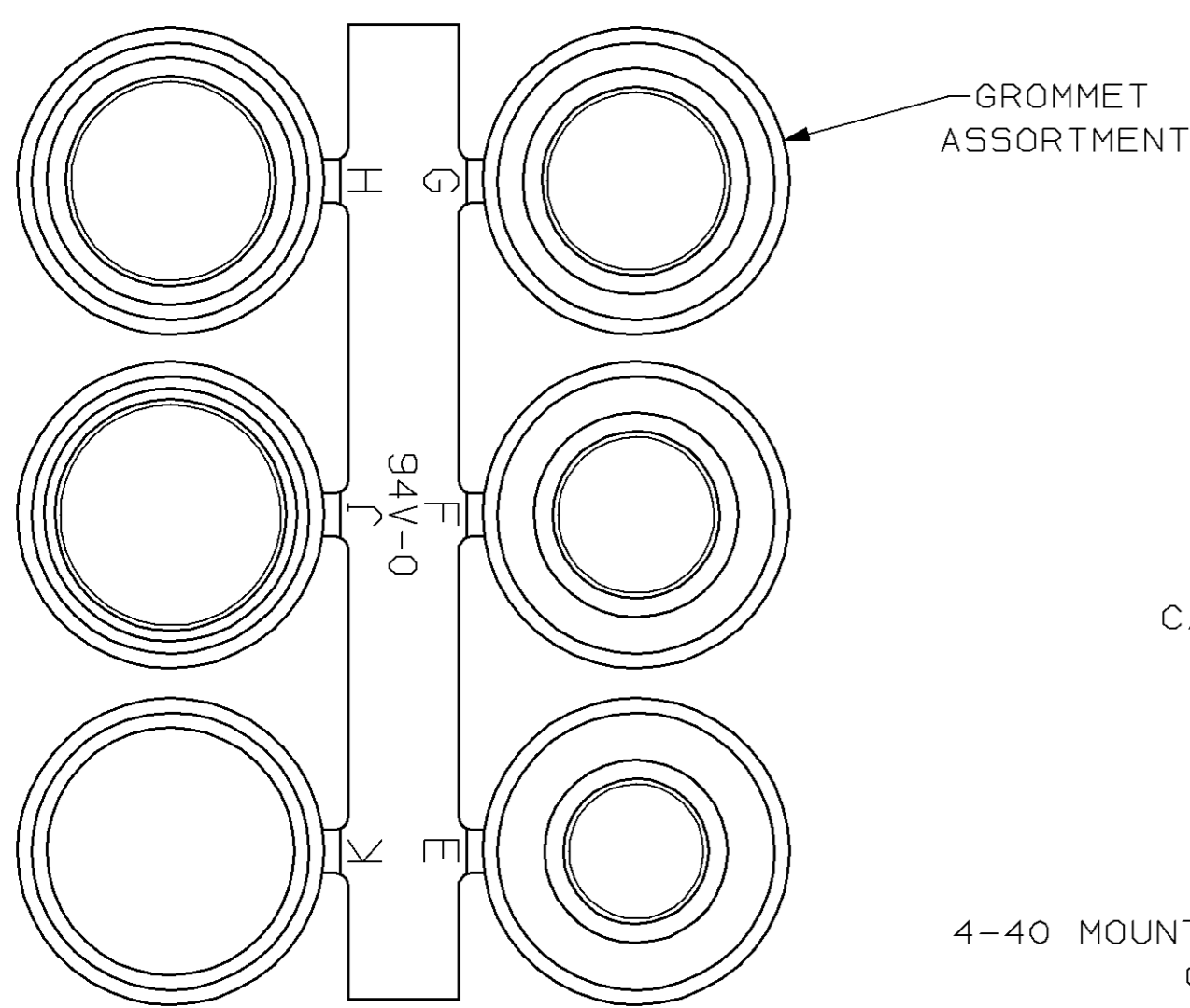
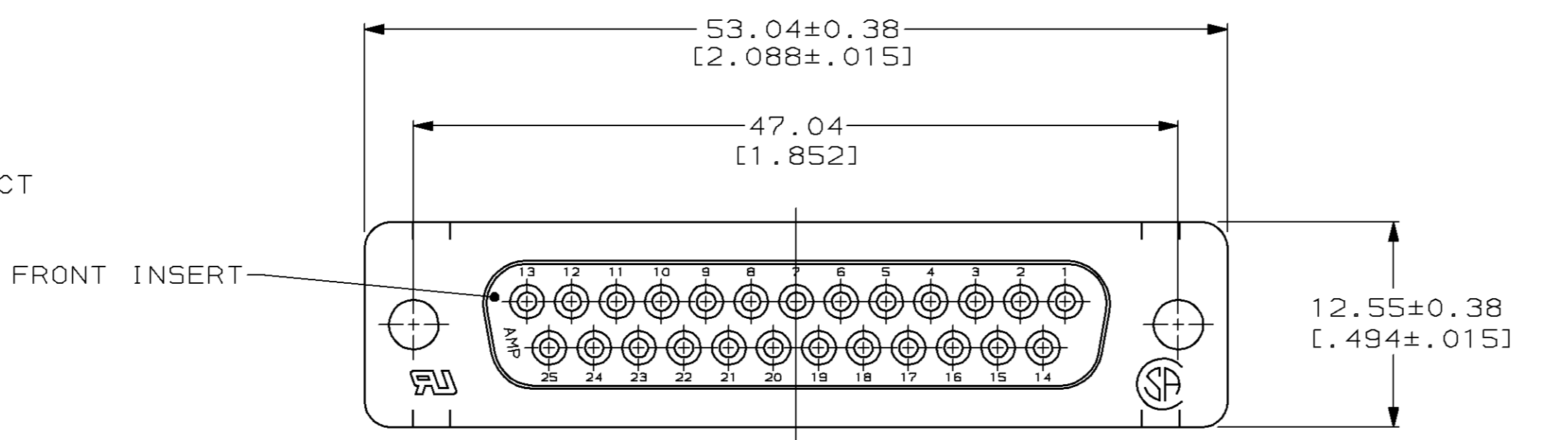
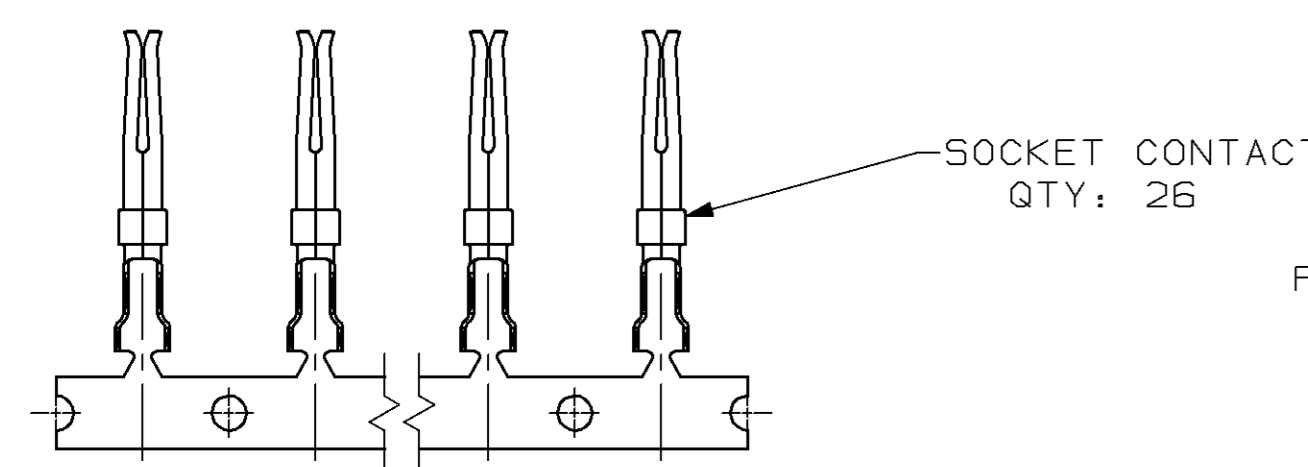
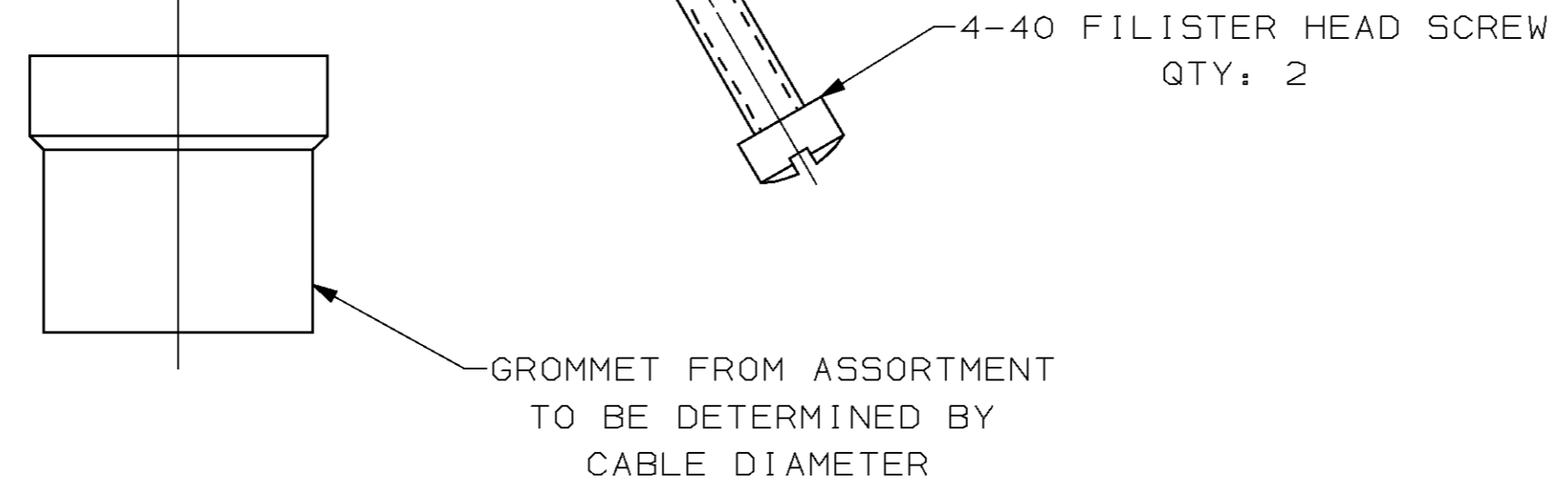


LOC		DIST		P		F		ZONE		LTR		REVISIONS			
BD	48											DESCRIPTION	DATE	APPD	
												0	RELEASED -6 PER NPR 4777, WAS 93-4930-1-6	06/07/93	-
												A	REV PER EC 0020-309-95	05/04/95	JS
												B	REV PER EC 0020-881-95	25 AUG 95	JS
												C	REV PER EC 0640-120-98	01 MAY 98	JK



1. CONTACTS ACCEPT 24-20 AWG RANGE.
2. NYLON, GLASS FILLED, UL 94V-0 RATED, BLACK.
3. PVC, UL 94V-0 RATED, BLACK.
4. PHOSPHOR BRONZE.
5. CARBON STEEL.
6. CABLE CLAMPS: ZINC; SCREWS & NUTS: CARBON STEEL.
7. GOLD PLATING PER MIL-G-45204; NICKEL PLATING PER QQ-N-290; TIN PLATING PER MIL-T-10727; COPPER PLATING PER MIL-C-14550; ZINC PLATING PER ASTM B633, TYPE III, CLASS SC1, CLEAR CHROMATE.
8. GOLD FLASH FOR A LENGTH OF 2.54[.100] MIN FROM MATING END, 2.54µm[.000100] MIN TIN OR TIN-LEAD ON OPPOSITE END FOR A LENGTH OF 4.06 [.160] MIN FROM END OF INSULATION BARREL, BOTH OVER 0.76µm[.000030] MIN NICKEL ON ENTIRE CONTACT.
9. 5.08µm[.000200] MIN TIN OVER 1.27µm[.000050] MIN COPPER.
10. MOUNTING SCREWS & NUTS: 3.81µm[.000150] MIN ZINC; FILISTER HEAD SCREWS: ZINC.



THIS DRAWING IS A CONTROLLED DOCUMENT FOR AMP INCORPORATED. IT IS SUBJECT TO CHANGE AND THE CONTROLLING ENGINEERING ORGANIZATION SHOULD BE CONTACTED FOR THE LATEST REVISION.

DO NOT SCALE PRINT. UNLESS SPECIFIED DIMENSIONS IN mm [INCHES]		DR 06/07/93 D. GELTZ		SMALL PACK		749806-6	
TOLERANCES ON:		CHK 6-17-93 R. STONE		PACKAGING TYPE		PART NO	
2 PLC DEC #0.13 [.005]		APPD 6-25-93 S. BRINSER		AMP Incorporated Harrisburg, PA 17105-3608			
3 PLC DEC # -		APPD 6-25-93 S. BRINSER					
ANGLES # -		PRODUCT SPEC		NAME			
MATERIAL		108-40011		RECEPTACLE KIT, UNASSEMBLED, SIZE 3, 25 POSITION, METAL SHELL, AMPLIMITE™ HDP-20			
GROMMETS: 3		CONTACTS: 4		APPLICATION SPEC		SIZE	
SHELLS: 3		HARDWARE: 4		114-40003		CAGE CODE	
FINISH		CONTACTS: 4		DRAWING NO		D	
SHELLS: 3		HARDWARE: 10		114-40003		00779	
WEIGHT		SCALE		3:1		DRAWING NO	
						C=749806-6	
						SHEET	
						1 OF 1	