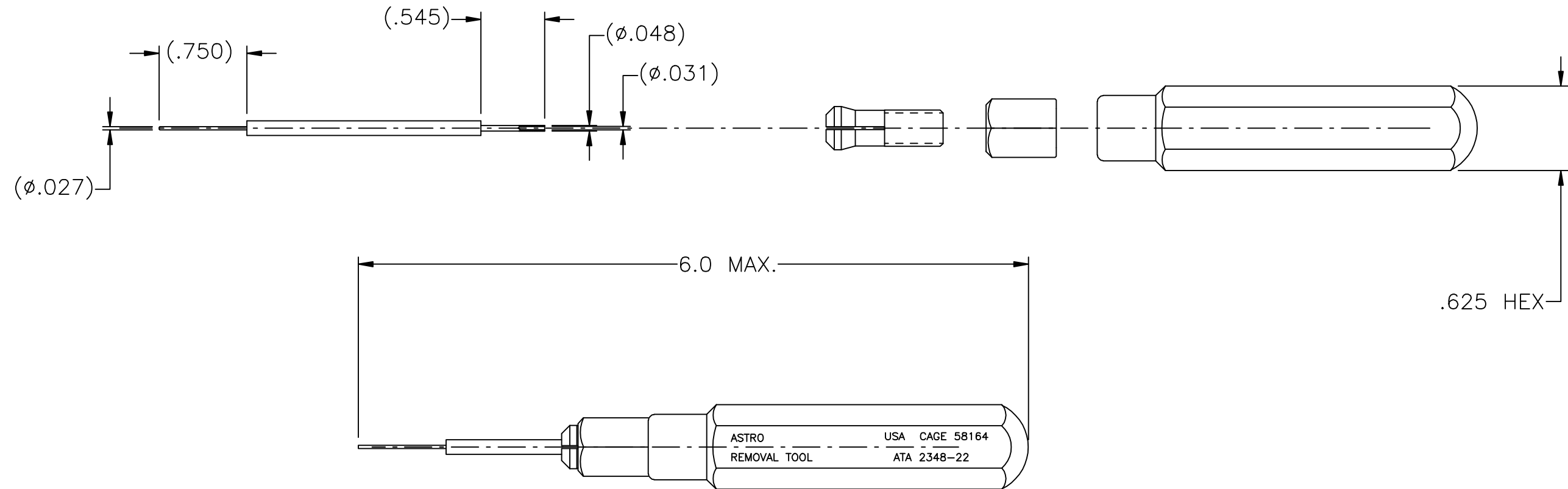


**UNCONTROLLED DOCUMENT  
WILL NOT BE UPDATED**



2. COLOR CODE: YELLOW.

1. THIS IS AN AUTOCAD DRAWING, DO NOT CHANGE MANUALLY.


NOTES:

REV.	DESCRIPTION	BY	DATE	APR.
A	NEW RELEASE.	DYO	03-30-15	MMK

THESE DRAWINGS, SPECIFICATIONS OR OTHER DATA ARE AND REMAIN, THE PROPERTY OF ASTRO TOOL CORP. AND MUST BE RETURNED UPON REQUEST. THEY CONTAIN INFORMATION OWNED AND/OR DEVELOPED BY ASTRO AT ITS OWN PRIVATE EXPENSE AND MAY NOT BE USED, DUPLICATED OR DISCLOSED TO OTHERS, IN WHOLE OR IN PART FOR DESIGN, MANUFACTURE OR PROCUREMENT WITHOUT THE WRITTEN PERMISSION OF ASTRO TOOL CORP. EACH AND EVERY TIME.

SCALE: N.T.S.  
DWN BY: DYO  
DATE: 03-30-15  
APPROVED:

UNLESS OTHERWISE SPECIFIED:  
DECIMALS:  
.XXX ± .005  
.XX ± .010  
.X ± .030  
ANGLES: ± 1°

		CAGE 58164
21615 S.W. TUALATIN VALLEY HWY., BEAVERTON OR 97006		
DESCRIPTION: ENVELOPE DRAWING: ATA 2348-22 REMOVAL TOOL, PIN AND SOCKET		
PART NO.	B	ATA 2348-22-ENV