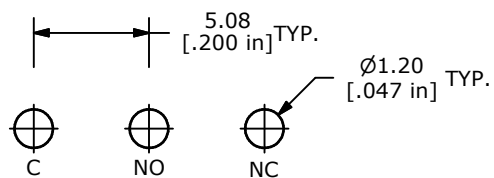
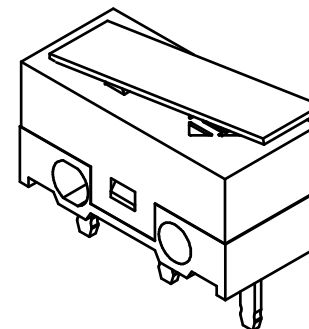
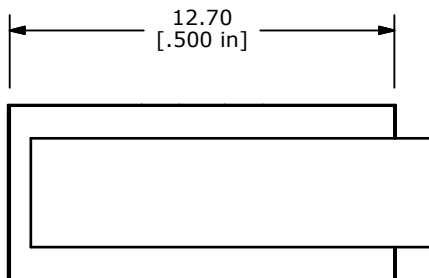


ISOMETRIC

SCALE: 3:1

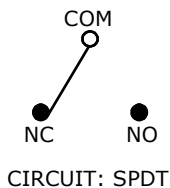


P.C. MOUNTING

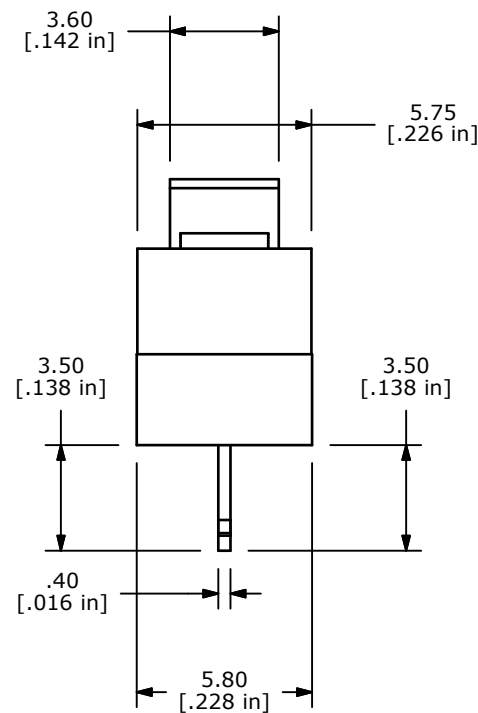
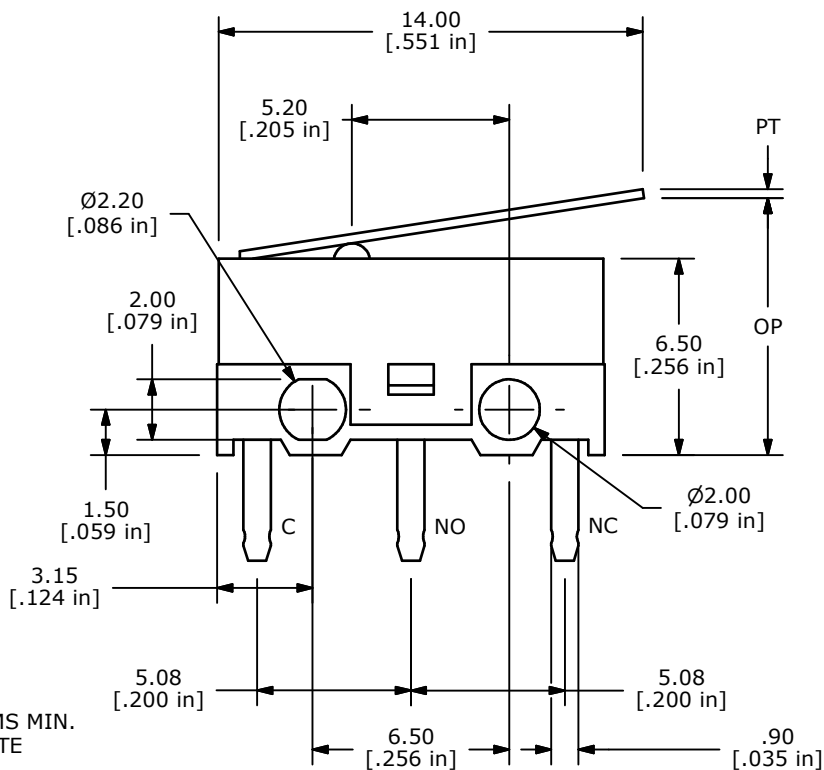


O.P. (MM)	P.T. (MM)
8.8 ±0.8	1.6 MAX.

O.P. = OPERATING POINT
P.T. = PRE-TRAVEL



CIRCUIT: SPDT



NOTES:

1. ALL DIMENSIONS IN MM [INCH]
2. GENERAL TOLERANCE: X.X=± 0.4
X.XX=± 0.25
- ▲ 3. RATING: 3A @125VAC
1.5A @250VAC UL
4. OPERATING FORCE: 40± 15 GRAMS
5. OPERATING TEMP: -25°C TO 75°C
6. ELECTRICAL LIFE: 10,000 CYCLES MIN.
7. INSULATION RESISTANCE: 100 MEGA-OHMS MIN.
8. DIELECTRIC STRENGTH: 500VAC - 1 MINUTE
9. ▲ DENOTES CRITICAL PARAMETER.
10. PACKAGED IN TRAYS, 120 PIECES PER TRAY.
11. 2002/95/EC (ROHS) COMPLIANT

REV	PCR NO	DESCRIPTION	DATE	BY
C	18157	REMOVE CE APPROVED FROM NOTES	6/24/08	BLR
B	18089	NOTE 10 WAS 1000 PIECES PER BAG	5/9/08	RC
A	17809	RELEASE FOR PRODUCTION	10/26/07	BLR



TITLE SS0750301F040P1A				
SCALE	DATE	DR	DWG	REV
4:1	6/24/2008	BLR	Q971003	C

THE INFORMATION CONTAINED IN THIS DOCUMENT IS PROPRIETARY TO E-SWITCH AND IS NOT TO BE COPIED OR TRANSFERRED