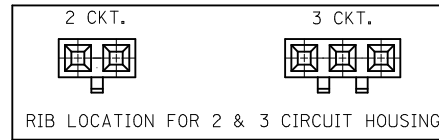
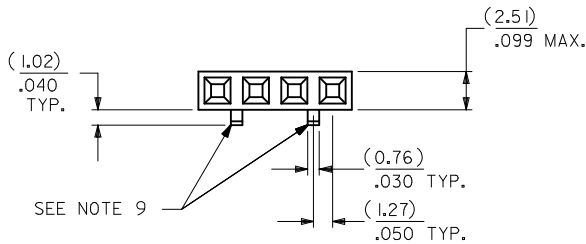


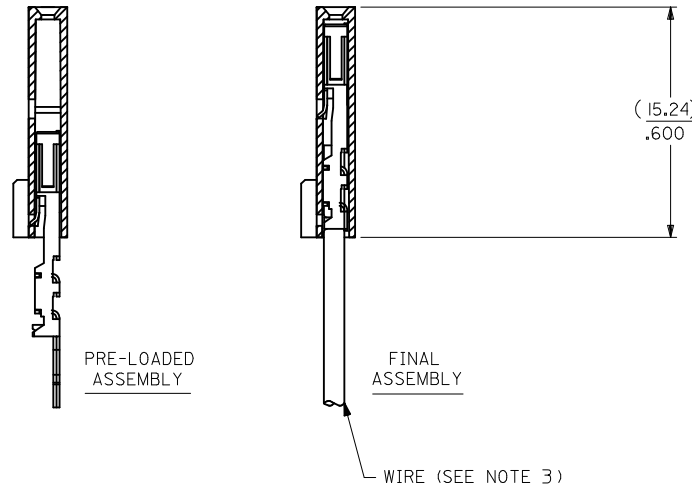
# OPTION D

- NOTES:
- MATERIAL:  
HOUSING: POLYESTER(PBT), GLASS FILLED, UL94 V-0;  
COLOR: BLACK  
TERMINAL: PHOSPHOR BRONZE
  - FINISH:  
30 GOLD: 0.76 MICROMETERS/30 MICROINCHES MINIMUM GOLD IN  
1.91 MICROMETERS/75 MICROINCHES MINIMUM TIN  
OVER NICKEL UNDERPLATE OVERALL
  - TO BE USED WITH 26 AWG STRANDED WIRE WITH (1.35)/.053  
DIAMETER MAXIMUM INSULATION
  - SEE TABLE FOR AVAILABLE CIRCUIT SIZES
  - STANDARD PACKAGING PER PK-70873-0001. OPTIONAL PACKAGING  
MAY BE AVAILABLE. REQUEST DRAWING PK-70400
  - PARTS STACKABLE END TO END ON (2.54)/.100 CENTERS
  - PRODUCT SPECIFICATION: PS-70400
  - SEE DRAWING SDA-70400-\*\*\*\* (SHEET 3) FOR OPTIONAL  
HOUSING DETAILS
  - 4 CIRCUIT SHOWN. 3-25 CIRCUITS HAVE 2 RIBS
  - TO MATE WITH MOLEX PART NUMBERS: 70004-\*\*\*\* & 70013-\*\*\*\*
  - 2 CIRCUIT ASSEMBLIES SUPPLIED AS GROUPED PAIRS

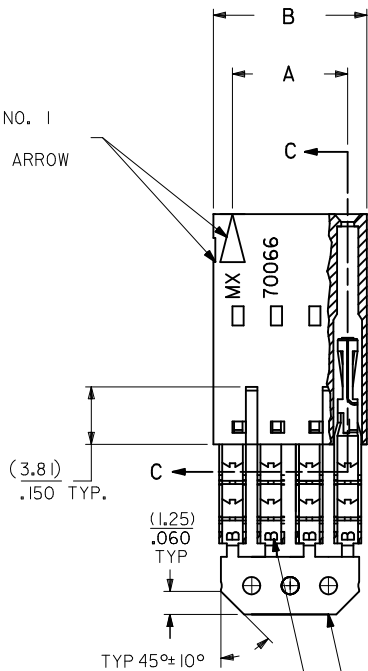
CKT. SIZE	A	B	EDP. NO.
2	( 2.54 ) .100	( 5.05 ) .199	14-56-4023
3	( 5.08 ) .200	( 7.59 ) .299	14-56-4033
4	( 7.62 ) .300	( 10.13 ) .399	14-56-4043
5	( 10.16 ) .400	( 12.67 ) .499	14-56-4053
6	( 12.70 ) .500	( 15.21 ) .599	14-56-4063
7	( 15.24 ) .600	( 17.75 ) .699	14-56-4073
8	( 17.78 ) .700	( 20.29 ) .799	14-56-4083
9	( 20.32 ) .800	( 22.83 ) .899	14-56-4093
10	( 22.86 ) .900	( 25.37 ) .999	14-56-4103
11	( 25.54 ) 1.000	( 27.91 ) 1.099	14-56-4113
12	( 27.94 ) 1.100	( 30.45 ) 1.199	14-56-4123
13	( 30.48 ) 1.200	( 32.99 ) 1.299	14-56-4133
14	( 33.02 ) 1.300	( 35.53 ) 1.399	14-56-4143
15	( 35.56 ) 1.400	( 38.07 ) 1.499	14-56-4153
16	( 38.01 ) 1.500	( 40.61 ) 1.599	14-56-4163
17	( 40.64 ) 1.600	( 43.15 ) 1.699	14-56-4173
18	( 43.18 ) 1.700	( 45.69 ) 1.799	14-56-4183
19	( 45.72 ) 1.800	( 48.23 ) 1.899	14-56-4193
20	( 48.26 ) 1.900	( 50.77 ) 1.999	14-56-4203
21	( 50.80 ) 2.000	( 53.31 ) 2.099	14-56-4213
22	( 53.34 ) 2.100	( 55.85 ) 2.199	14-56-4223
23	( 55.88 ) 2.200	( 58.39 ) 2.299	14-56-4233
24	( 58.42 ) 2.300	( 60.93 ) 2.399	14-56-4243
25	( 60.96 ) 2.400	( 63.47 ) 2.499	14-56-4253



## SECTION C-C



CIRCUIT NO. 1  
SLOT OR ARROW



I.D. SLOT CODE TO WIRE GAUGE CHART	
I.D. SLOT CODE	WIRE GAUGE
B	26 AWG.

PLATING CODE (STRIPE ON CARRIER STRIP)	
PLATING	COLOR
30 GOLD	RED

REMOVE ENG NO. EC NO: UCP2011-110 DRAWN BY: MSIBARRA CHECKED BY: WAZ APPROVED BY: SMILLER DATE: 2010/10/19 DATE: 1984/10/10 DATE: 2010/11/24	QUALITY SYMBOLS ▽=0 ▽=0 ▽=0	GENERAL TOLERANCES (UNLESS SPECIFIED) mm INCH 4 PLACES ± --- ± --- 3 PLACES ± --- ± .010 2 PLACES ± 0.25 ± .014 1 PLACE ± 0.35 ± --- ANGULAR ±1/2°	DIMENSION STYLE MM/IN	SCALE	DESIGN UNITS INCH	THIRD ANGLE PROJECTION
			DRAWN BY: MSIBARRA DATE: 2010/10/19 CHECKED BY: WAZ DATE: 1984/10/10 APPROVED BY: SMILLER DATE: 2010/11/24	TITLE ASSEMBLY, SL CONNECTOR SINGLE ROW 2.54/.100 GRID	MOLEX INCORPORATED	
DRAFT WHERE APPLICABLE MUST REMAIN WITHIN DIMENSIONS			SEE TABLE	THIS DRAWING CONTAINS INFORMATION THAT IS PROPRIETARY TO MOLEX INCORPORATED AND SHOULD NOT BE USED WITHOUT WRITTEN PERMISSION		