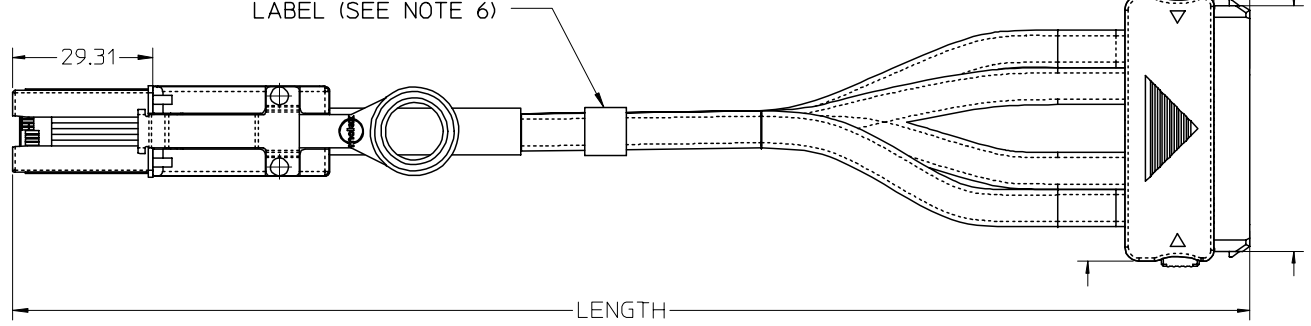
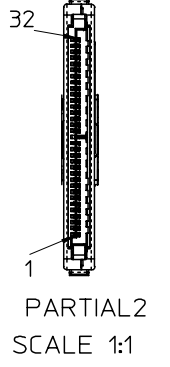
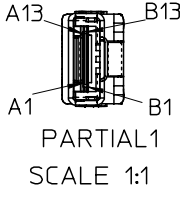
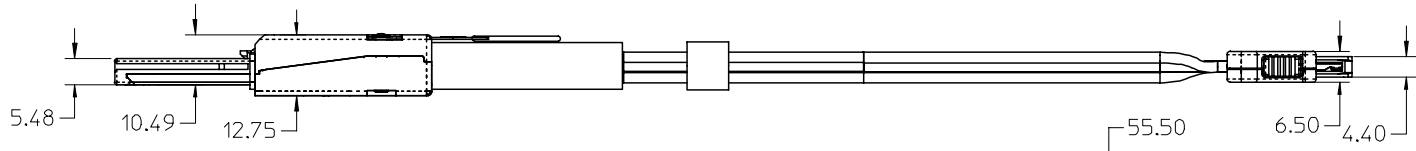


10 9 8 7 6 5 4 3 2 1



SAS 26 CKT PIN	SIGNAL DESC	SIGNAL DESC	SFF-8484 PIN
B1	SGND	SGND	1
A2	Tx0+	Rx0+	2
A3	Tx0-	Rx0-	3
A1	SGND	SGND	4
B2	Rx0+	Tx0+	5
B3	Rx0-	Tx0-	6
B4	SGND	SGND	7
A5	Tx1+	Rx1+	8
A6	Tx1-	Rx1-	9
A4	SGND	SGND	10
B5	Rx1+	Tx1+	12
B6	Rx1-	Tx1-	11
NC	SGND	SGND	13
		NC	14
		NC	15
		NC	16
		NC	17
		NC	18
		NC	19
B7	SGND	SGND	20
A8	Tx2+	Rx2+	21
A9	Tx2-	Rx2-	22
A7	SGND	SGND	23
B8	Rx2+	Tx2+	24
B9	Rx2-	Tx2-	25
B10	SGND	SGND	26
A11	Tx3+	Rx3+	27
A12	Tx3-	Rx3-	28
A10	SGND	SGND	29
B11	Rx3+	Tx3+	31
B12	Rx3-	Tx3-	30
NC	SGND	SGND	32

P/N	DESC	LENGTH
74558-1001	SAS 26 CKT TO INTERNAL SFF-8484	0.5M
74558-1002	SAS 26 CKT TO INTERNAL SFF-8484	1.0M

- NOTES:
1. LENGTH- SEE TABLE
 2. ELECTRICAL PERFORMANCE PER SERIAL ATTACH SCSI
 3. ASSEMBLY IS TO BE RoHS COMPLIANT BY JULY 1, 2005
 4. SFF-8484 MATES WITH:
RIGHT ANGLE: 87861
VERTICAL: 87862
 5. 1-PASS 4X EXTERNAL (UNIVERSAL KEY) MATES WITH:
RECEPTICAL: 75586-0004
EMI GUIDE HOUSING ASSEMBLY: 74548-0103 TO 0111,
74548-0203 TO 0211
 6. LABEL
MOLEX P/N
MOLEX
MADE IN CHINA
YDDD

SGND= SIGNAL GROUND
NC= NOT CONNECTED

ENTER DESCRIPTION EC NO: USY2008-0160 DRWN: PYSY2007/11/14 CHKD: 2007/11/15 APPR: DDOYE 2007/11/26 DESCRIPTION REV	QUALITY SYMBOLS ▽=0 ▽=0	GENERAL TOLERANCES (UNLESS SPECIFIED) <table border="1"> <thead> <tr> <th></th> <th>mm</th> <th>INCH</th> </tr> </thead> <tbody> <tr> <td>4 PLACES</td> <td>± ---</td> <td>±.0002</td> </tr> <tr> <td>3 PLACES</td> <td>± ---</td> <td>±.005</td> </tr> <tr> <td>2 PLACES</td> <td>± 0.13</td> <td>±.01</td> </tr> <tr> <td>1 PLACE</td> <td>± 0.25</td> <td>± ---</td> </tr> </tbody> </table> ANGULAR ±1/2°		mm	INCH	4 PLACES	± ---	±.0002	3 PLACES	± ---	±.005	2 PLACES	± 0.13	±.01	1 PLACE	± 0.25	± ---	DIMENSION STYLE MM/IN DRAWN BY: JERWIN DATE: 2005/11/02 CHECKED BY: THALL DATE: 2005/11/02 APPROVED BY: DDOYE DATE: 2005/11/02	SCALE 1:1 DESIGN UNITS METRIC THIRD ANGLE PROJECTION	TITLE SAS 26 CKT TO INTERNAL SFF-8484 PLUG TO PLUG CROSSOVER MOLEX INCORPORATED
		mm	INCH																	
	4 PLACES	± ---	±.0002																	
	3 PLACES	± ---	±.005																	
2 PLACES	± 0.13	±.01																		
1 PLACE	± 0.25	± ---																		
DRAFT WHERE APPLICABLE MUST REMAIN WITHIN DIMENSIONS	MATERIAL NO. SEE TABLE	DOCUMENT NO. SD-74558-110	SHEET NO. 1 OF 1																	
SIZE B	THIS DRAWING CONTAINS INFORMATION THAT IS PROPRIETARY TO MOLEX INCORPORATED AND SHOULD NOT BE USED WITHOUT WRITTEN PERMISSION																			

9 8 7 6 5 4 3 2 1