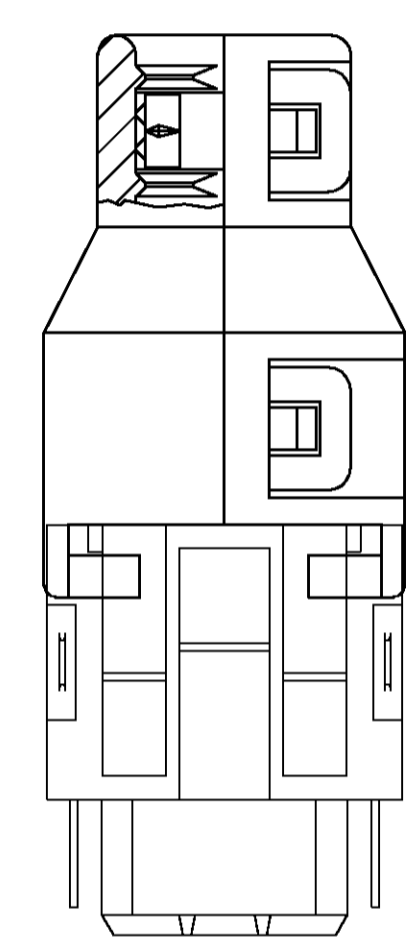
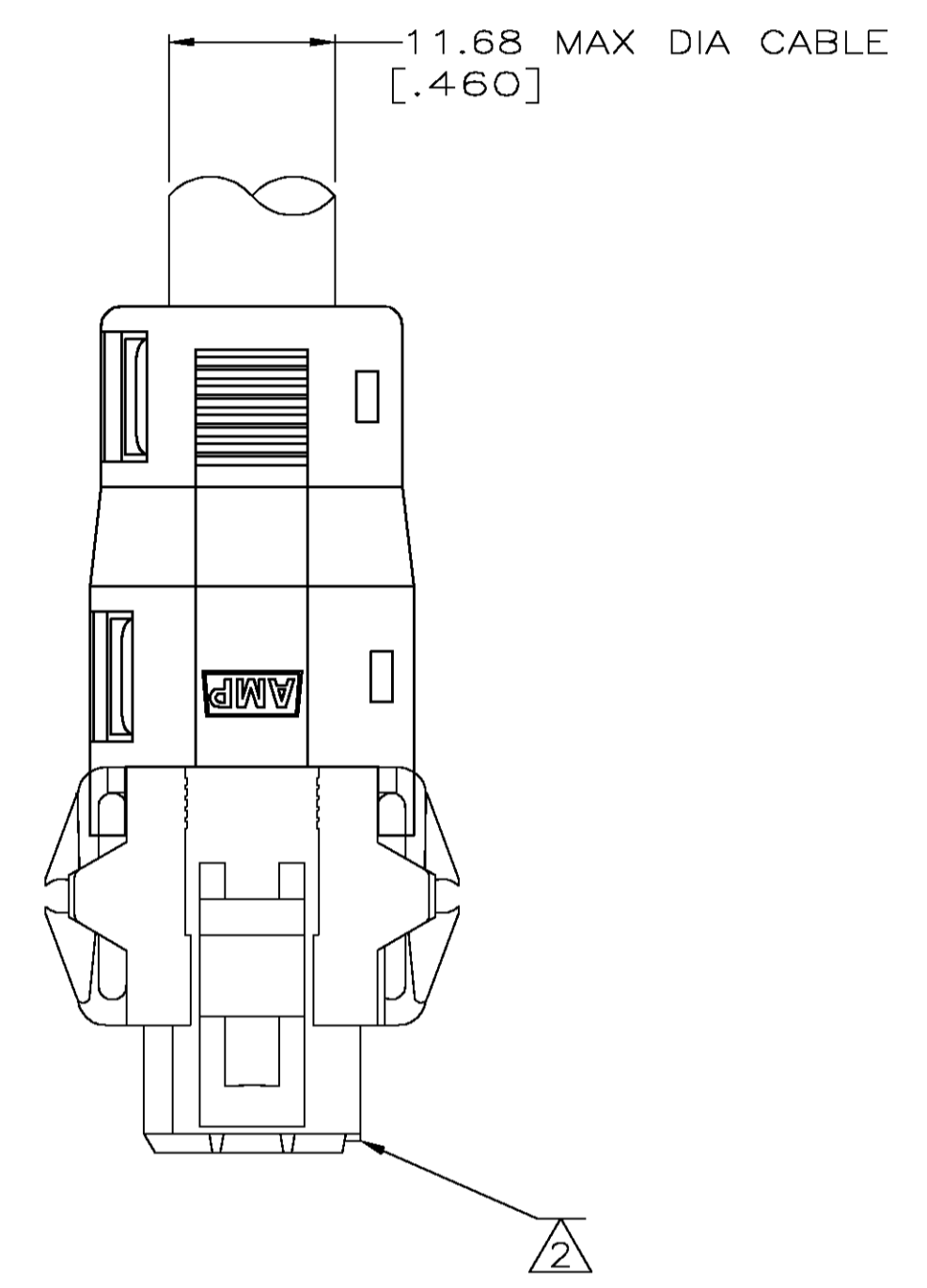
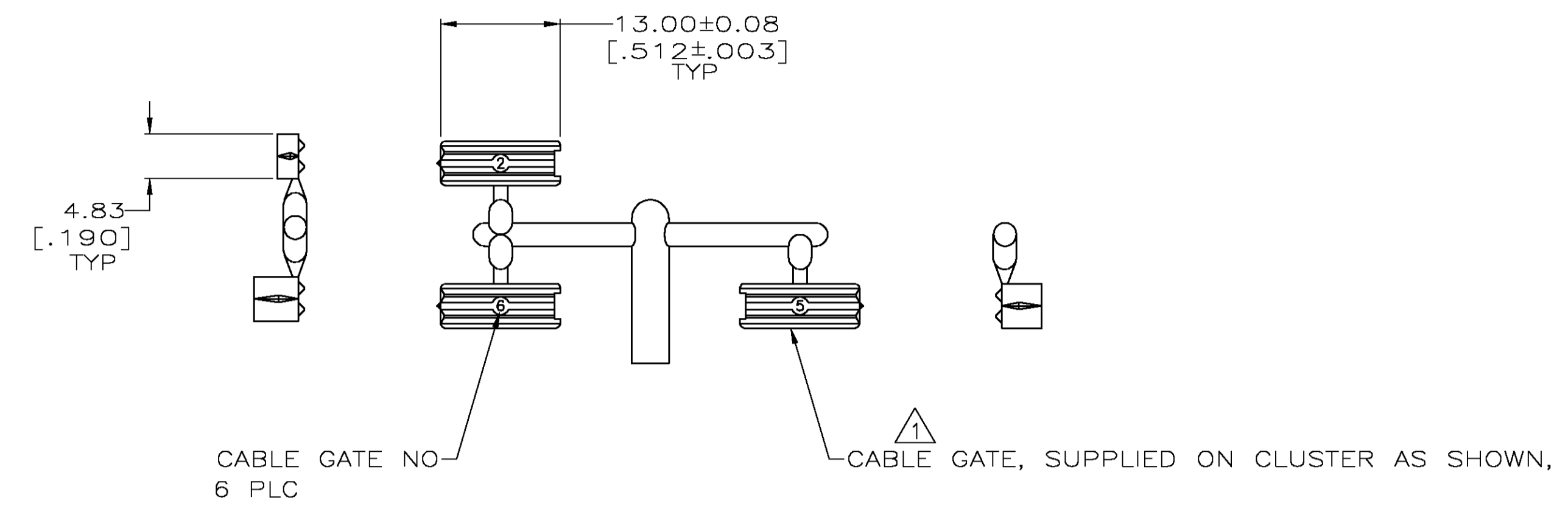
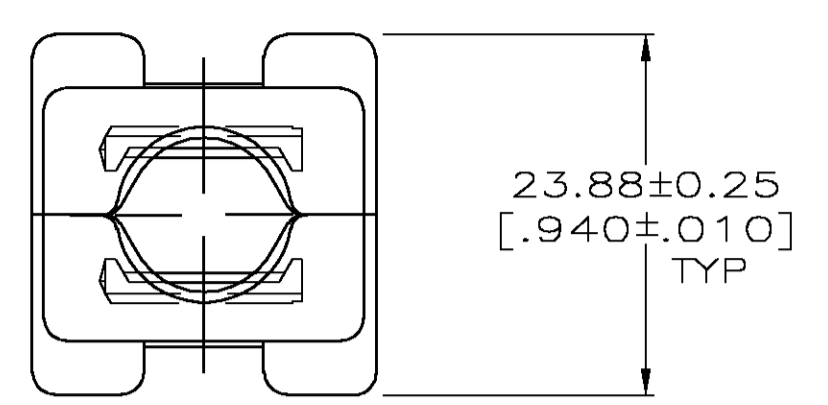
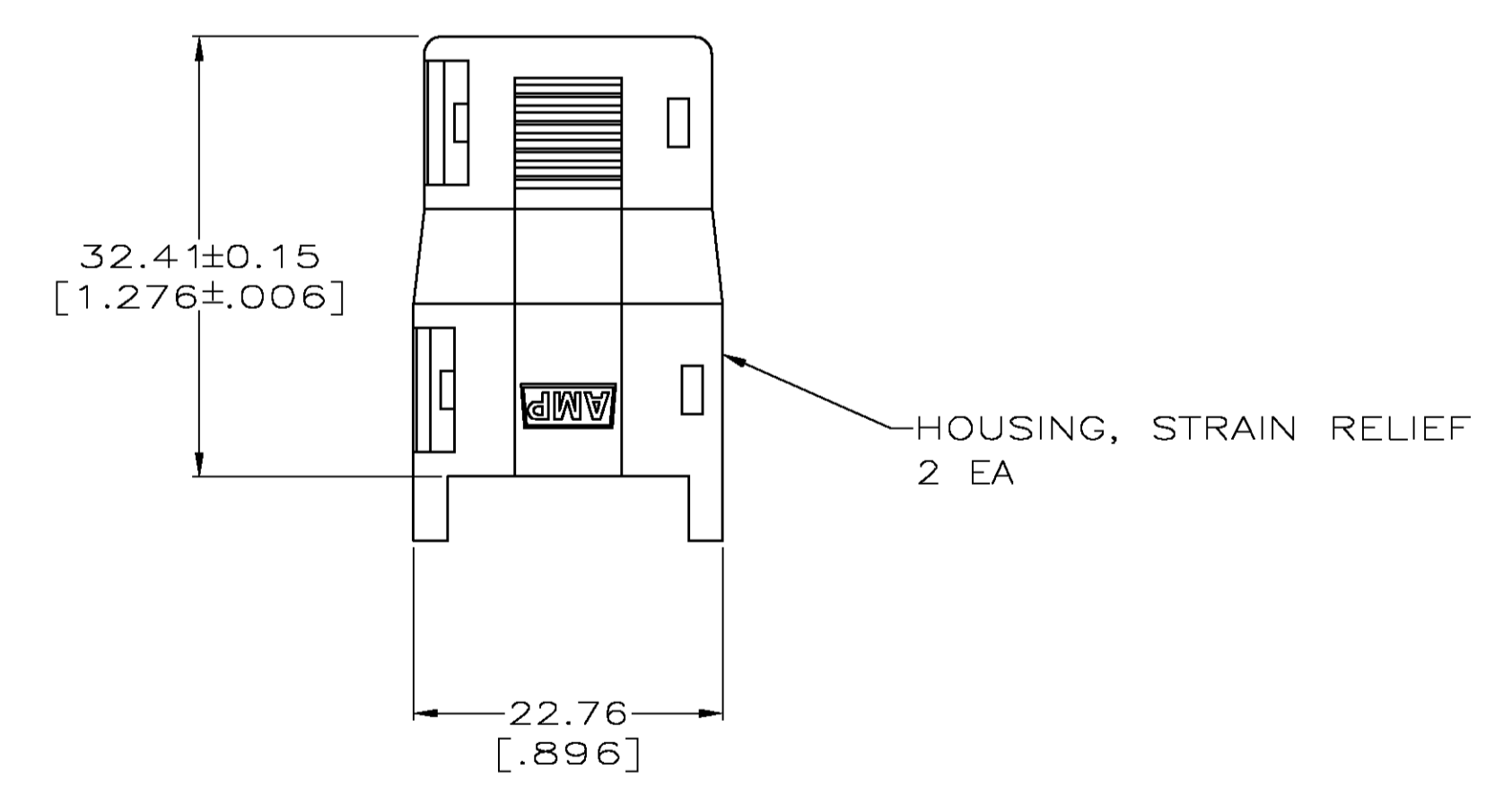
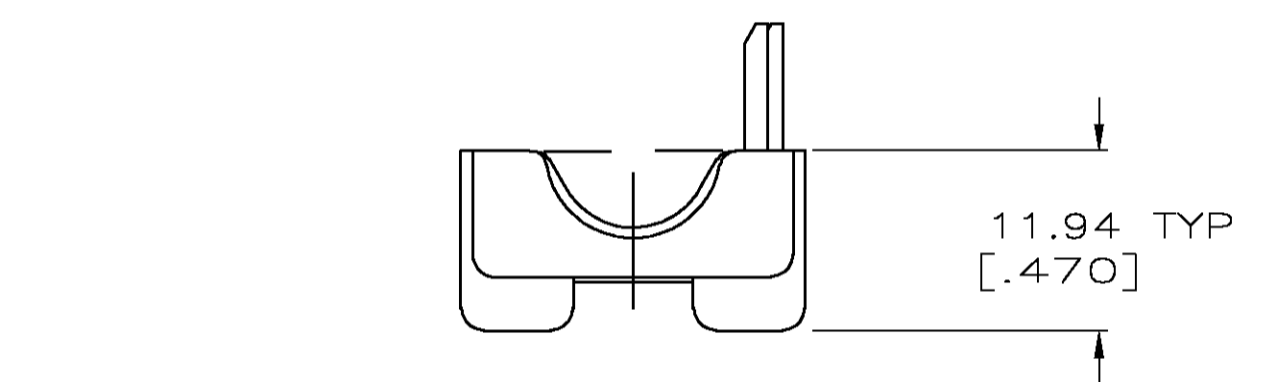
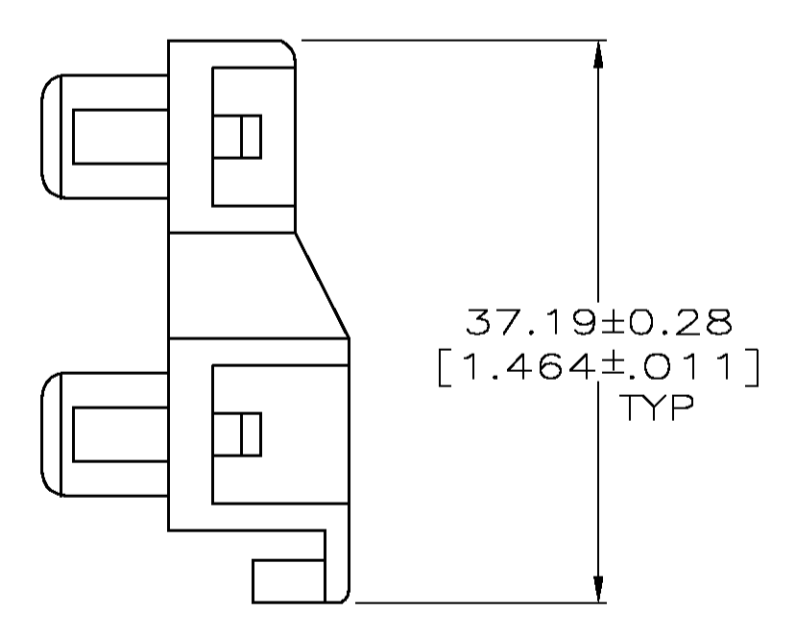


LOC		DIST		REVISIONS			
F	LTR	DESCRIPTION	DATE	DNW	APVD		
D		REVISED PER 063B-1122-04	12/1/04	SS	GS		



ASSEMBLED VIEW



- ⚠ A VARIETY OF CABLE GATES ARE PROVIDED TO ACCOMMODATE A VARIETY OF CUSTOMER CABLE SIZES.
- ⚠ PLUG SHOWN FOR REFERENCE ONLY, STRAIN RELIEF CAN BE USED ON EITHER PLUG OR RECEPTACLE.

207601-1
PART NUMBER

THIS DRAWING IS A CONTROLLED DOCUMENT.		DNW J. McCLINTON 1-27-92		Tyco Electronics Corporation Harrisburg, Pa 17105-3608	
DIMENSIONS: INCHES		CHK R. STONE 1-29-92		APVD -	NAME -
TOLERANCES UNLESS OTHERWISE SPECIFIED:		PRODUCT SPEC 108-10033		STRAIN RELIEF KIT, UNASSEMBLED, 9 POSITION, METRIMATE	
0 PLC ± -		APPLICATION SPEC -		-	
1 PLC ± -		SIZE A1		CAGE CODE 00779	
2 PLC ± 0.13[.005]		DRAWING NO C=207601		REV D	
3 PLC ± -		WEIGHT -		SCALE 2:1	
4 PLC ± -		CUSTOMER DRAWING		SHEET 1 OF 1	
ANGLES ± -					
FINISH -					