

Field Programmable LVDS Blank Oscillator Applications

Series **CPPV9**

- Programmed with PG2000P/PG3000 within seconds
- Programmable 2 times
- Provides a sealed finished custom oscillator
- 9.6 x 11.4 SMD



Part Numbering Example: **CPPV9 LZ A5 B6 100.0**

CPPV9	L	Z	A5	B6	100.000
SERIES	VOLTAGE	ADDED FEATURES	OPERATING TEMP	STABILITY	FREQUENCY
	Blank = 5 V L = 3.3 V	Blank = Bulk T = Tube Z = Tape/Reel	Blank = 0 – +70 °C A5 = -20 – +70 °C A7 = -40 – +85 °C	B6 = ±100 ppm BP = ±50 ppm	1.000 – 133.0 MHz

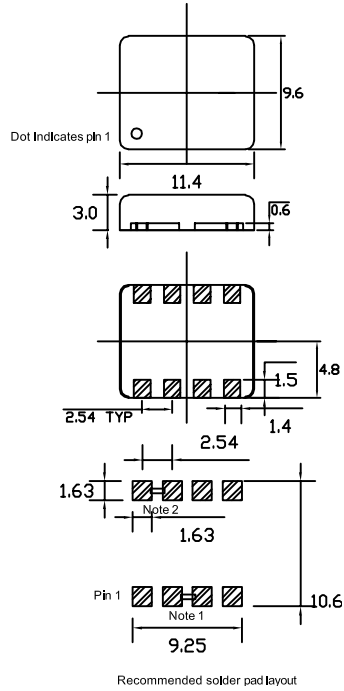
Specifications:	Min	Typ	Max	Unit
Frequency Range:	1.0		133.0	MHz
Available Stability Options:	-100 -50		100 50	ppm ppm
Prog. Supply Voltage:	4.75 3.135	5.0 3.3	5.25 3.465	V V
Operating Temperature Range Options:	-20 -40		70 85	°C °C
Storage Temperature:	-55		125	°C
Aging (PPM/1st Year): Ta=25C, Vdd=3.3V			±5	
Diff. Clock Rise Time	0.2	0.7	1.0	ns
Diff. Clock Fall Time	0.2	0.7	1.0	ns
Output Level:	LVDS			

Tristate internal pull up,
output active when high.

Notes: Recommended 0.01 µF bypass capacitor from Vdd to Gnd. Capacitor should be as close to oscillator as possible.



CPPV9



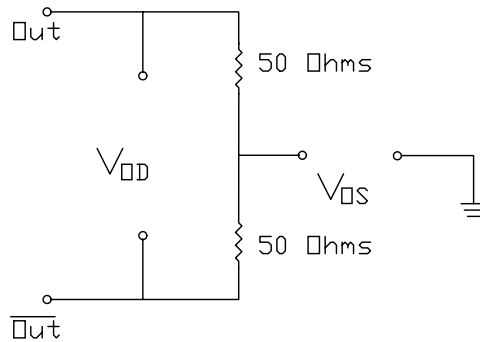
PIN FUNCTION

- PIN 1 OE
- PIN 2 CONNECT TO PIN 3
- PIN 3 CONNECT TO PIN 2
- PIN 4 GND
- PIN 5 LVDS-
- PIN 6 LVDS+
- PIN 7 VDD
- PIN 8 VDD

Note 1: Connect pin 2 to pin 3
 Note 2: Connect pin 7 to pin 8

LEVELS TEST CIRCUIT

LVDS Levels Test Circuit



SWITCHING TEST CIRCUIT

LVDS Switching Test Circuit

