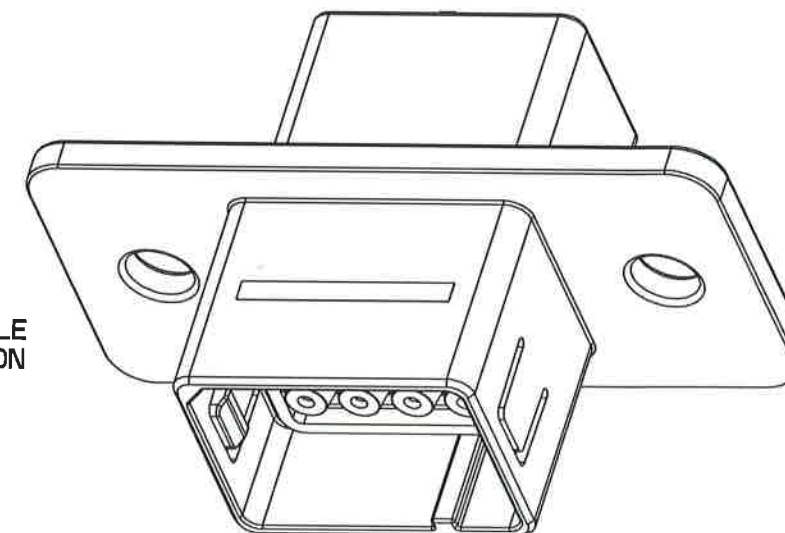
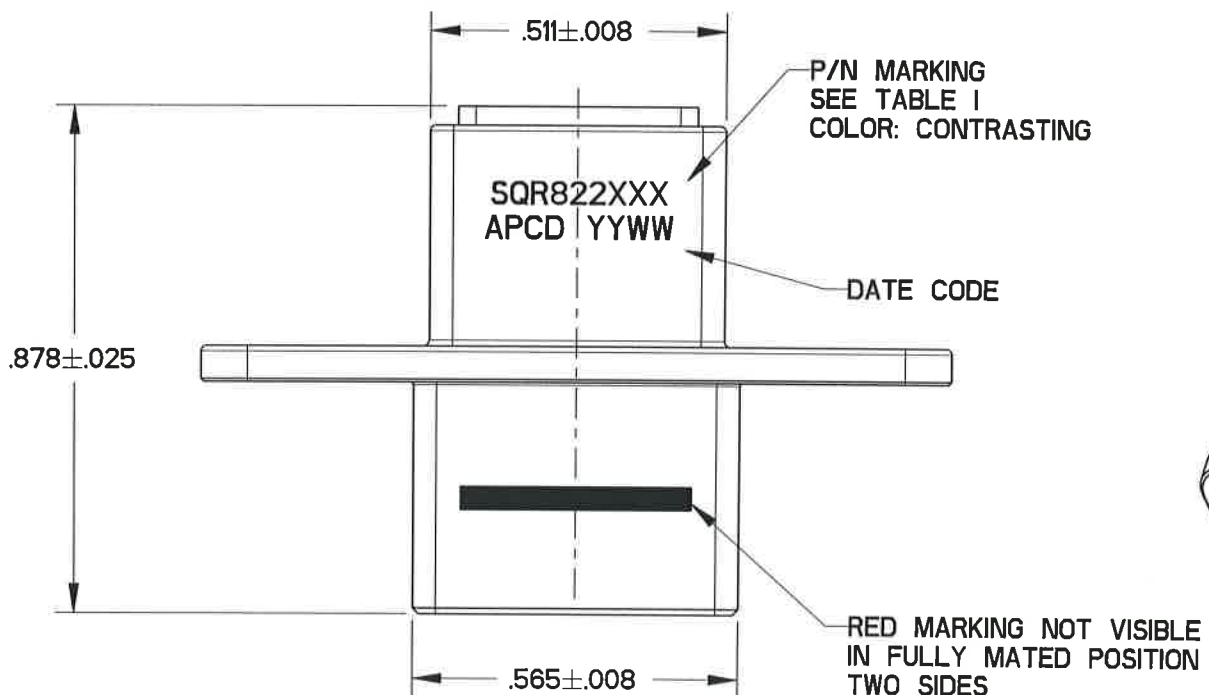
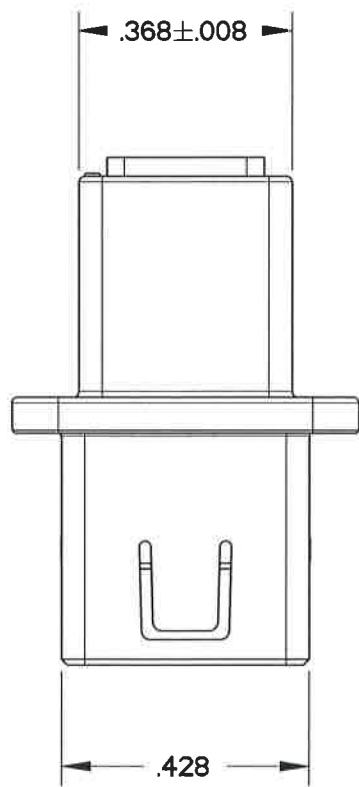
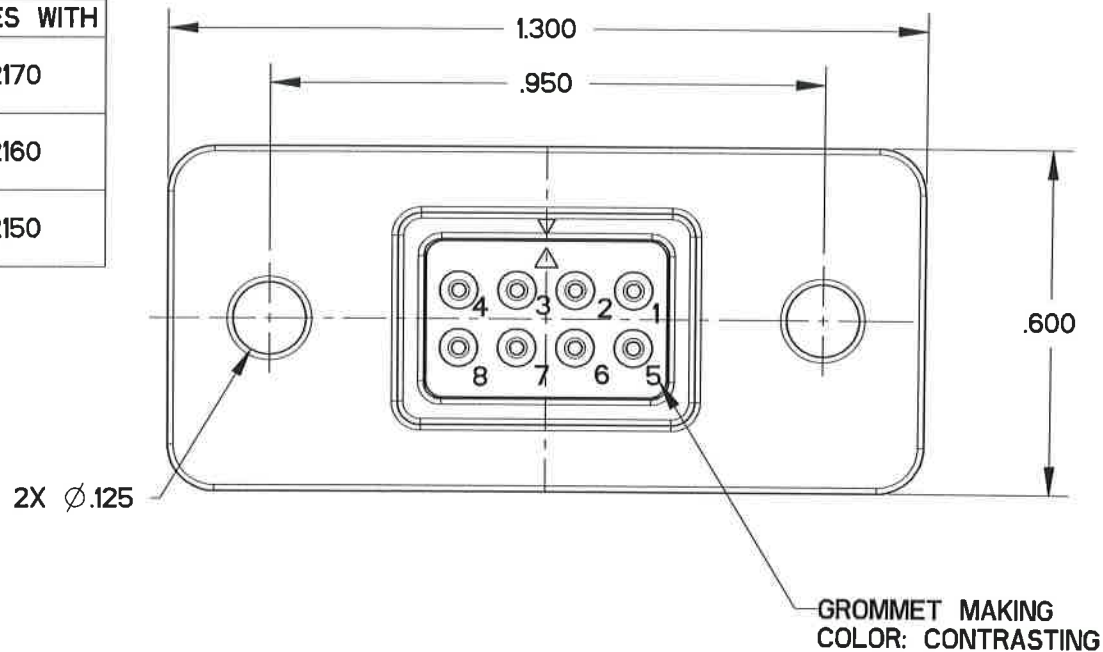


SQR822700

TABLE I - PART NUMBER SCHEME

APCD P/N	CONTACTS SUPPLIED	COLOR / KEY	P/N MARKING	PART MATES WITH
SQR822721	(8) M39029/58-360	WHITE / C	SQR822720	SQR822170
SQR822720	NONE			
SQR822711	(8) M39029/58-360	GREEN / B	SQR822710	SQR822160
SQR822710	NONE			
SQR822701	(8) M39029/58-360	BLACK / A	SQR822700	SQR822150
SQR822700	NONE			

REV	ECN	APP'D
-	8175	WL 11/10/17



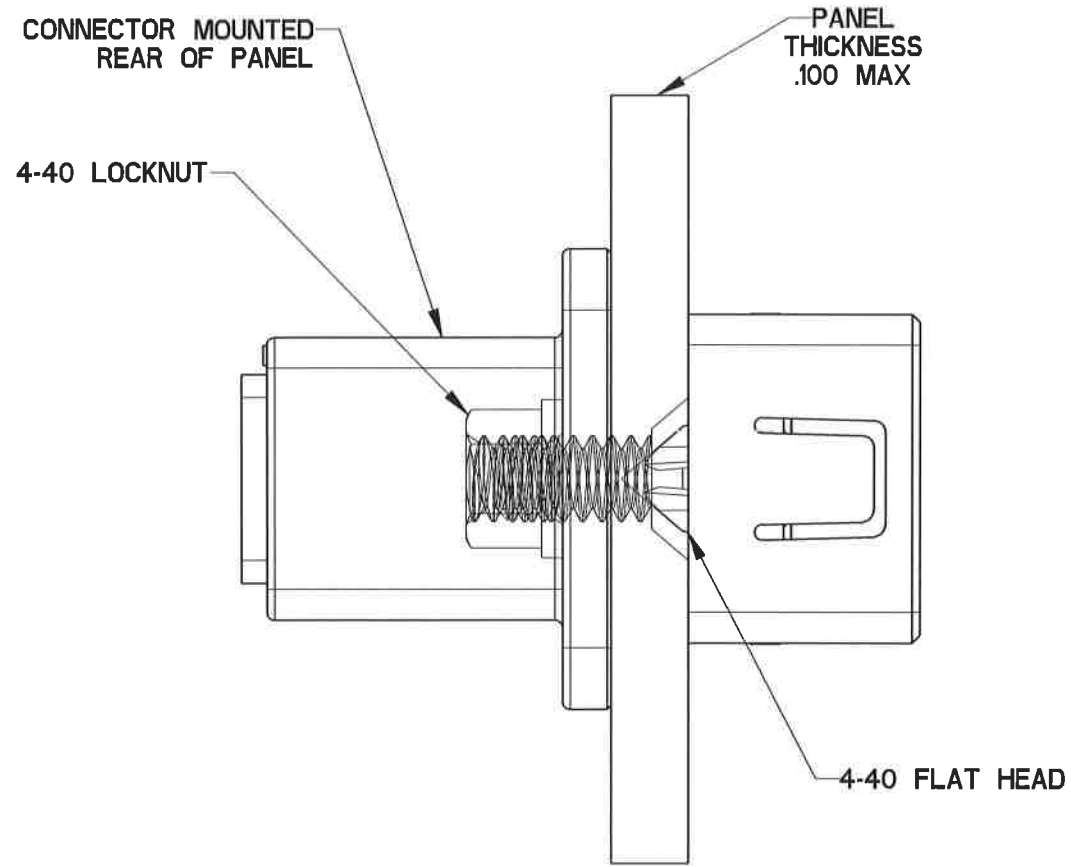
NOTES:

- MATERIALS:  
 OUT HOUSING: POLYETHERIMIDE, COLOR: SEE THE TABLE I  
 INNER HOUSING: POLYETHERIMIDE, COLOR: BLACK  
 CONTACT RETAINER: STAINLESS STEEL  
 GROMMET & FACE SEAL: SILICONE RUBBER PER A-A-59588, COLOR: RED
- PART ACCEPTS M39029/58-360 CONTACTS
- WEIGHT: 3.5g

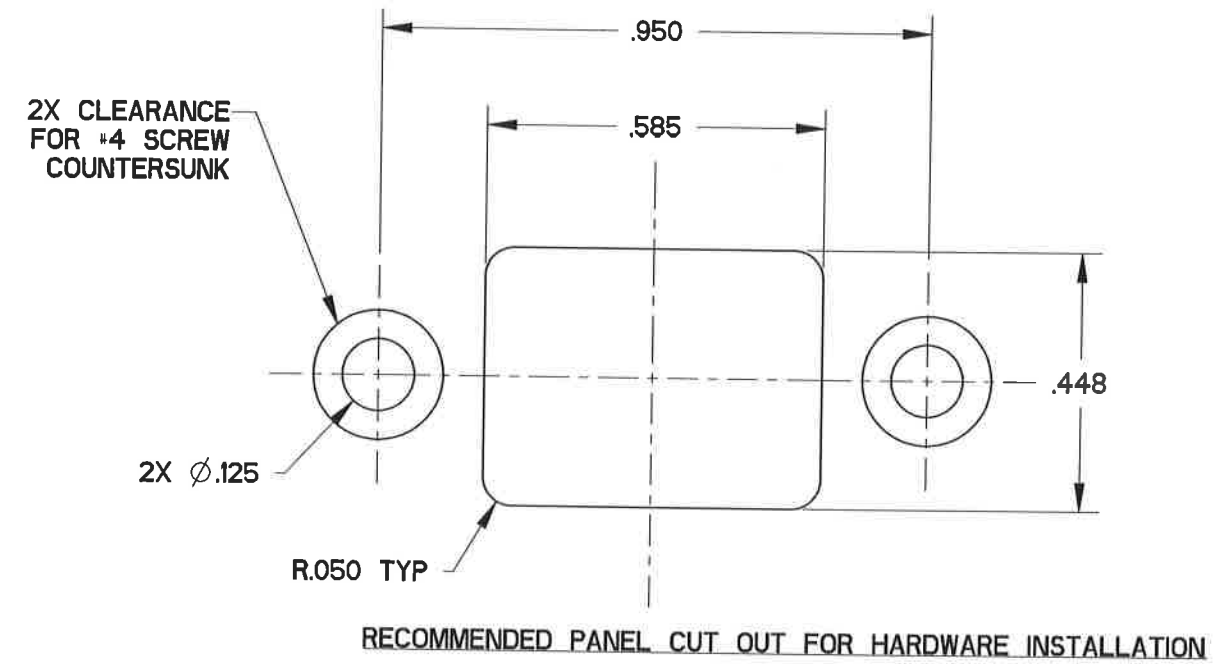
DIMENSIONS	TOLERANCES	PROJECTION	Amphenol Pcd SPECIFICATION DRAWING		TITLE		
ANSI Y14.5M UNITS: INCHES Pro/E FILE	.XX ±0.01 .XXX ±0.005 ANGLES ±2.0°		ENGR MICKEY ZHANG Jun-08-17	CHKD <i>Mickey Zhang</i> 11/10/17	REAR MOUNT FLANGE 8 POS SIZE 22 RECEPTACLE FOR PIN CONTACTS, SQR SIZE 2		
ORIGINAL	THIS DOCUMENT CONTAINS PROPRIETARY INFORMATION WHICH IS THE CONFIDENTIAL PROPERTY OF AMPHENOL PCD INC., BEVERLY, MA	APPD <i>William Jones</i> 11/10/17	SIZE B	DWG NO. SQR822700	REV -		
		CODE: 58982	SCALE: 3:1	SHEET 1 OF 2			

SQR822700

SQR822700



PANEL MOUNTING RECOMMENDATIONS



SIZE <b>B</b>	DWG NO. <b>SQR822700</b>	REV -
CODE: 58982	SCALE: 3:1	SHEET 2 OF 2