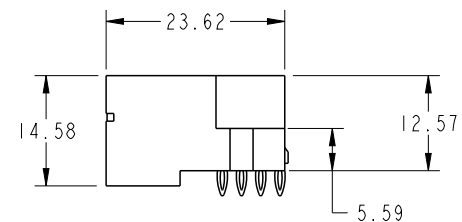
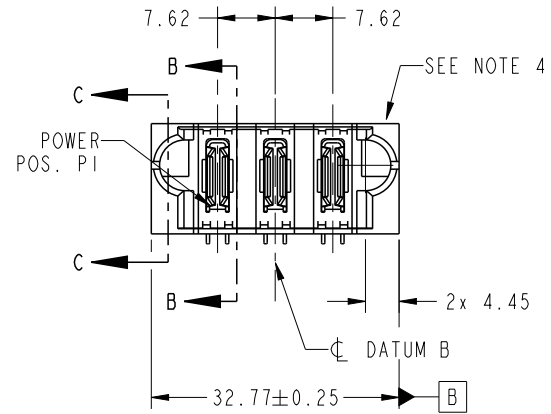


PRODUCT NO. 51939-754-- NOTE 3	POWER				
	E1	P1	P2	P3	E2



CODE	DIM "M" MATING LENGTH	CONTACT TYPE
PX	[N/A]	POWER

spec ref	*	dr	Luo Weller	2013/04/11	projection 	MM ←→	size	A4	scale	1:1
tolerance std	TOLERANCES UNLESS OTHERWISE SPECIFIED	eng	Luo Weller	2013/04/23			ecn no	-		
SEE NOTE		chr	-	-			rel level	Released		
surface	linear	0.X	±0.5	 <b>www.fci.com</b>	title <b>3ACP</b> RIGHT PRESS-FIT HEADER	dwg no <b>51939-754</b>	rev <b>A</b>			
		0.XX	±0.25							
	angular	0°	±2°							
		appr	Pei-Ming Zheng	2013/04/23	product family	PwrBlade	sheet 1 of 4			
		cat. no.		-	Product - Customer Drw					

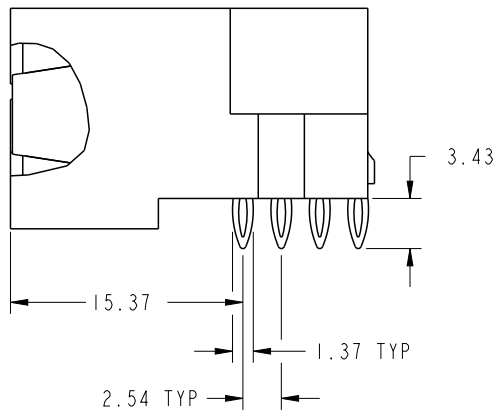


Copyright FCI.

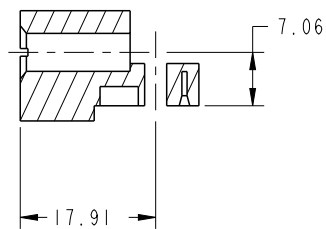
PrdrE File - REV C - 2009-06-09

PRODUCT NUMBER

51939-754--  
NOTE: 3



BROKEN-OUT SECTION B-B  
SCALE 2:1

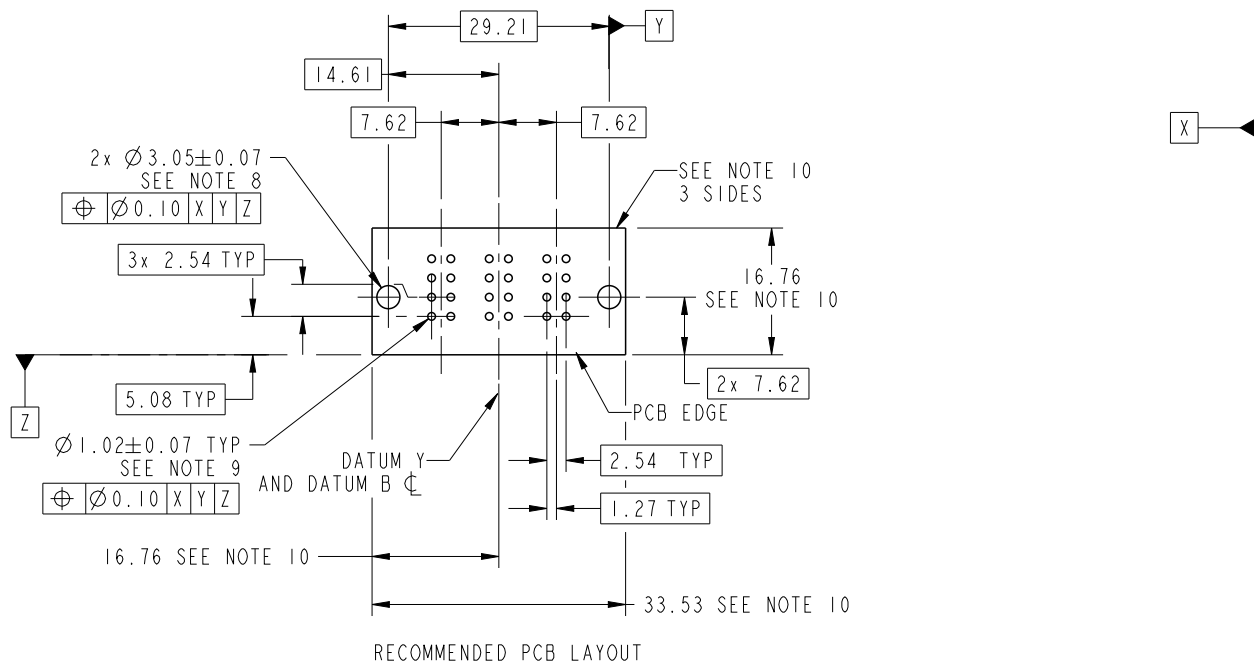


SECTION C-C

dr	Luo Weller	2013/04/11	projection 	MM 	size	A4	scale	1:1
eng	Luo Weller	2013/04/23			ecn no	-		
chr	-	-			rel level	Released		
appr	Pei-Ming Zheng	2013/04/23	product family	PwrBlade	rev	A		
	title	3ACP RIGHT PRESS-FIT HEADER		dwg no	51939-754			
www.fci.com	cat. no.	-	Product - Customer Drw	sheet 2 of 4				

PRODUCT NUMBER

51939-754\_\_  
NOTE: 3



dr	Luo Weller	2013/04/11	projection 	MM 	size	A4	scale	1:1
eng	Luo Weller	2013/04/23			ecn no	-		
chr	-	-			rel level	Released		
appr	Pei-Ming Zheng	2013/04/23	product family	PwrBlade	rev	A		
	title	3ACP RIGHT PRESS-FIT HEADER		dwg no	51939-754			
www.fci.com	cat. no.	-	Product - Customer Drw	sheet	3 of 4			

PRODUCT NUMBER

51939-754\_\_  
NOTE: 3

NOTES:

1. DIMENSIONS AND TOLERANCES ARE IN ACCORDANCE WITH ASME Y14.5M, 1994 UNLESS OTHERWISE SPECIFIED.

CONNECTOR NOTES:

- 2. HOUSING MATERIAL: UL 94 V-0 GLASS FILLED HIGH-TEMP THERMOPLASTIC  
POWER CONTACT MATERIAL: COPPER ALLOY  
SIGNAL PIN MATERIAL: COPPER ALLOY
- 3. SEE ITEM 3 & 4 IN PRINT 10064183 FOR PLATING SPEC OF 51939-754 AND 51939-754LF RESPECTIVELY.
- 4. MANUFACTURER'S NAME, DATE CODE AND OPTIONAL P/N TO APPEAR ON THIS SURFACE. THE MARK CAN BE OMITTED IF THERE IS NOT ENOUGH SPACE ON THIS SURFACE.
- 5. PRODUCT SPECIFICATION GS-12-149.  
APPLICATION SPECIFICATION BUS-20-067.
- 6. PACKAGED IN TRAYS.

PCB NOTES:

- 7. ALL HOLE DIAMETERS ARE FINISHED HOLE SIZE.
- 8. MOUNTING HOLES, WHERE APPLICABLE, ARE UNPLATED.
- 9.  $\varnothing 1.151 \pm 0.025$  DRILLED HOLES PLATED WITH  
0.008 MIN SnPb OR Sn OVER 0.03  
TO 0.08 Cu PLATING TO ACHIEVE  
 $\varnothing 1.02 \pm 0.07$  HOLE.
- 10. CONNECTOR KEEP-OUT ZONE.

dr	Luo Weller	2013/04/11	projection 	MM 	size	A4	scale	1:1		
eng	Luo Weller	2013/04/23			ecn no	-				
chr	-	-			product family	PwrBlade	rel level	Released		
appr	Pei-Ming Zheng	2013/04/23			title	3ACP RIGHT PRESS-FIT HEADER	dwg no	51939-754	rev	A
www.fci.com		cat. no.	-	Product - Customer Drw			sheet 4 of 4			



Copyright FCI.