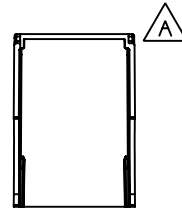
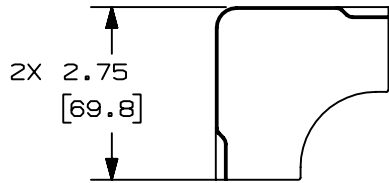
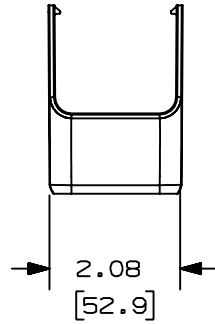
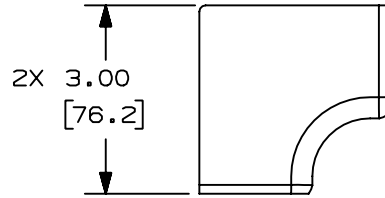


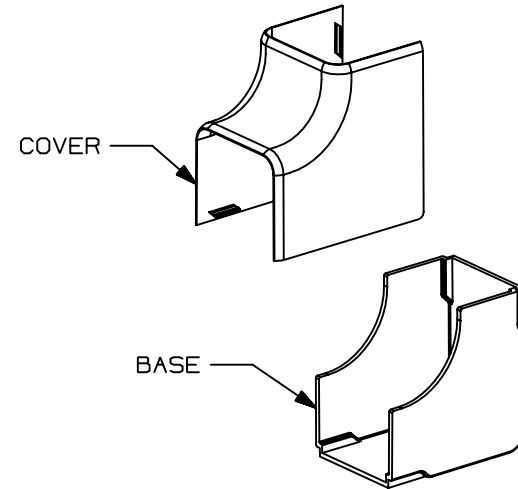
THIS COPY IS PROVIDED ON A RESTRICTED BASIS AND IS NOT TO BE USED IN ANY WAY DETRIMENTAL TO THE INTERESTS OF PANDUIT CORP.



PANDUIT PART NO.	WEIGHT
OFR201C	.15 lbs / EACH (68.0 g / EACH)

NOTES:

1. SEE CURENT CATALOG FOR ADDITIONAL PART NUMBER SUFFIXES TO INDICATE COLOR AND/OR PACKAGE QUANTITY.
2. DIMENSIONS IN PARENTHESES ARE IN METRIC.
3. FITTING PROVIDES 1" MIN. BEND RADIUS.



CAD FILENAME/LAYERS D38498BC\_DC\_OFR201C\_00C.PRT

PANDUIT CORP. TINLEY PARK, ILLINOIS  
OFFICE FURNITURE INSIDE  
CORNER FITTING (OFR201C)  
CUSTOMER DRAWING

UNLESS OTHERWISE SPECIFIED,  
DIMENSIONAL TOLERANCES ARE:  
(.X) ± (.XXX) ±  
(.XX) ± .03 (.8) ANGLES ±

UNLESS OTHERWISE SPECIFIED,  
ALL DIMENSIONS ARE GIVEN  
IN INCHES, THIRD ANGLE PROJECTION.

REV	DATE	BY	CHK	DESCRIPTION	ECN	CHK	CUST	SUP	DRAWN BY	DATE	CHK'D	MAT'L:	SCALE	DRAWING NO.	DWG SIZE
2	7-24-03	JHNU	RPA	A. REMOVED LINE FROM VIEW.	38498-03	RGRO	RGRO		JBN	03-13-03	RPA	PVC	NONE	38498-03	A
1	04-28-03	JBN	RPA	RELEASED TO PRODUCTION	38498-03	RGRO	RGRO		JBN	03-13-03	RPA	PVC	NONE	38498-03	A
R	03-13-03	JBN	RPA	DRAWING RELEASED					JBN	03-13-03	RPA	PVC	NONE	38498-03	A