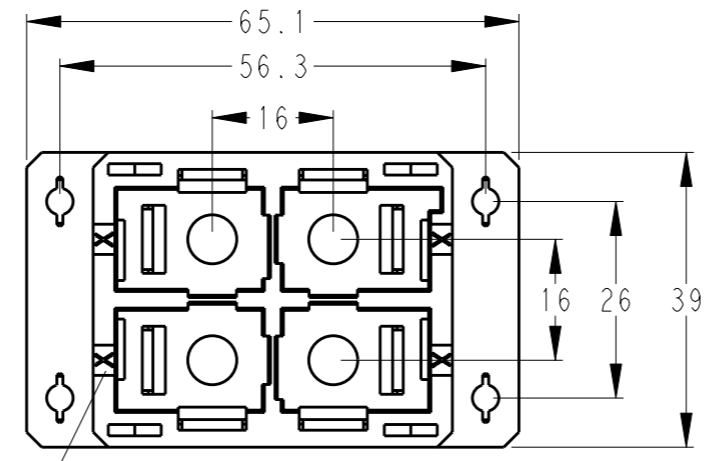
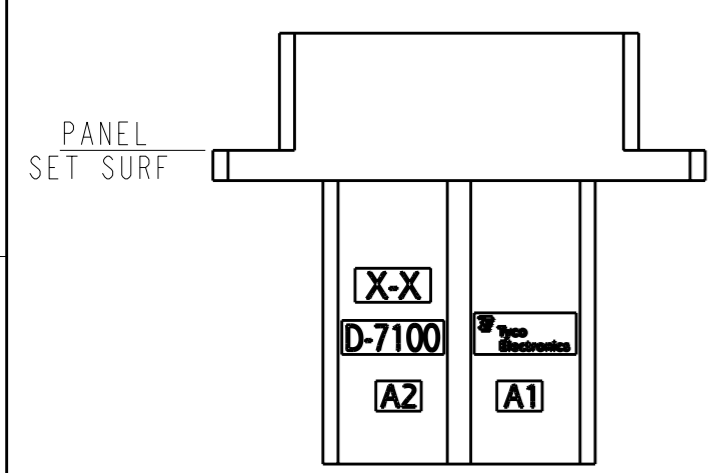


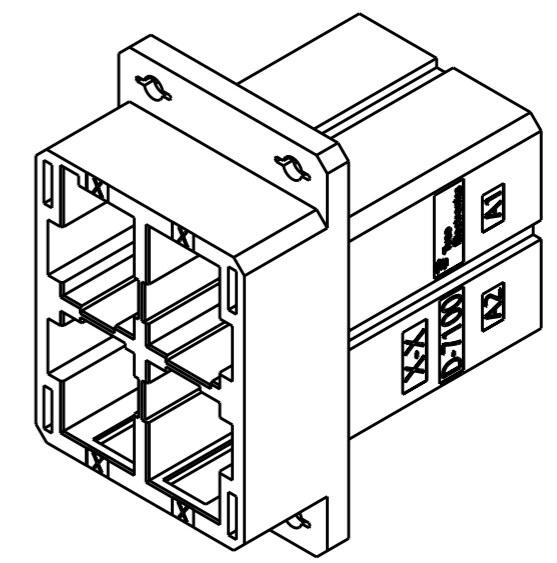
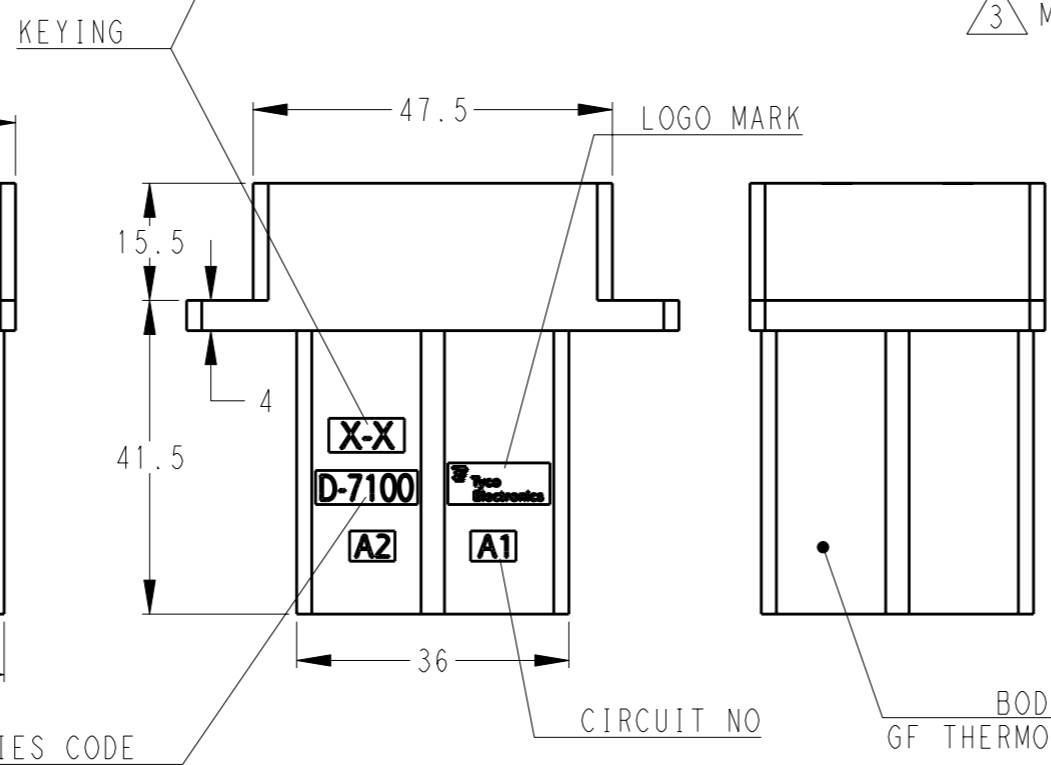
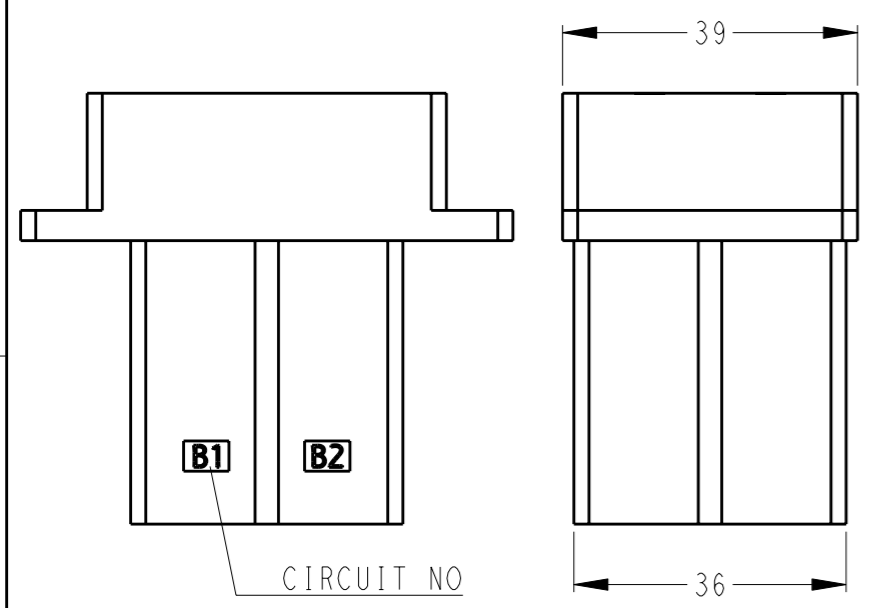
THIS DRAWING IS UNPUBLISHED. RELEASED FOR PUBLICATION 20
 © COPYRIGHT 20 BY TYCO ELECTRONICS CORPORATION. ALL RIGHTS RESERVED.

LOC	DIST	REVISIONS					
		P	LTR	DESCRIPTION	DATE	DWN	APVD
J	-		B	REVISED PER ECR-10-025568	14DEC2010	M.M	N.Y

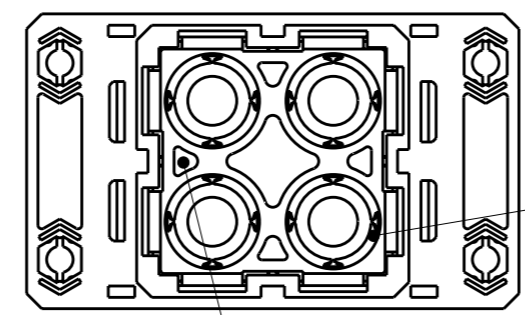
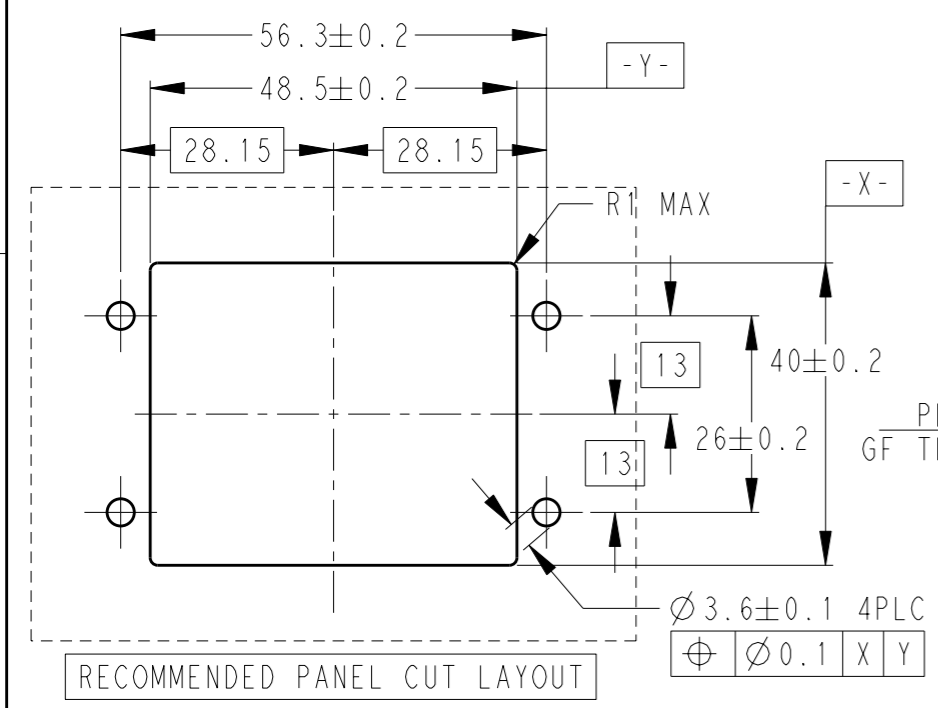
AS SHOWN : 2134057-1



1. THE SHAPE, SIZE AND POSITION OF THE CHARACTER SHOW THE OUTLINE. THEY DON'T SHOW DETAILS.
 2. CONTACT OUR SALES ABOUT ANOTHER KEYING PRODUCT.
- △ 3 MATERIAL.



BODY HSG △ 3
GF THERMOPLASTIC 94V-0



△ 3 RETENTION PLATE
STAINLESS STEEL

APPLICATED PIN CONTACTS
-1871131-

△ 3 PLATE COVER HSG
GF THERMOPLASTIC 94V-0

THIS DRAWING IS A CONTROLLED DOCUMENT FOR TYCO ELECTRONICS CORPORATION IT IS SUBJECT TO CHANGE AND THE CONTROLLING ENGINEERING ORGANIZATION SHOULD BE CONTACTED FOR THE LATEST REVISION.		DWN	M. MAEBASHI	31 JUL 2010	Tyco Electronics Corporation Kawasaki, Japan
DIMENSIONS: mm		CHK	N. YAMASAKI	31 JUL 2010	
TOLERANCES UNLESS OTHERWISE SPECIFIED: ±1.0, ±5°		APVD	N. YAMASAKI	31 JUL 2010	
0 PLC ±		PRODUCT SPEC		108-78470	
1 PLC ±		APPLICATION SPEC		114-5452	
2 PLC ±		WEIGHT		-	
3 PLC ±		CUSTOMER DRAWING		SCALE 1:1	
4 PLC ±		MATERIAL △ 3		FINISH NONE	
ANGLES ±		NAME		DYNAMIC D7100 16.0mm PITCH PIN HOUSING ASSEMBLY PANEL MOUNT TYPE 4 POS	
4 PLC		SIZE		A3	
RECOMMENDED PANEL CUT LAYOUT		CAGE CODE		00779	
⊕ ⊙ 0.1 X Y 4PLC		DRAWING NO		C-2134057	
		RESTRICTED TO		-	
		SHEET		1 OF 1	
		REV		B	