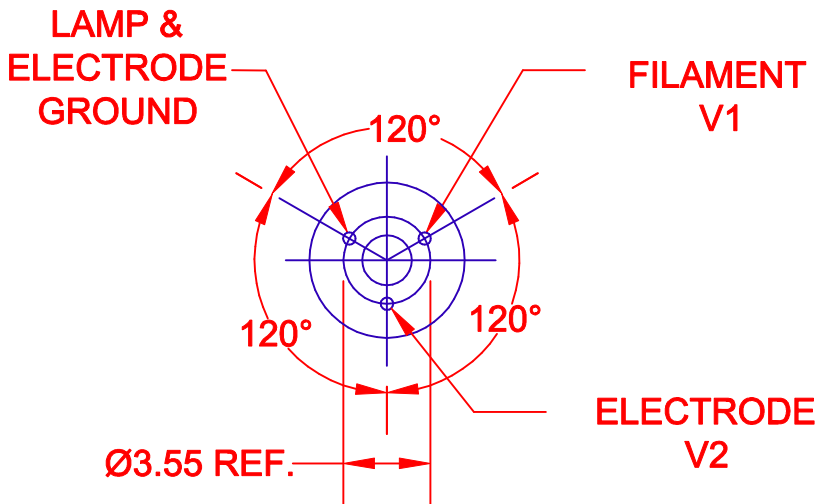


V1 FILAMENT:
 5.2-5.5 VDC
FILAMENT CURRENT:
 45 +/- 10 mA DC
V2 ELECTRODE SOURCE:
 24-26 VDC TYP.
ELECTRODE CURRENT:
 14 +/- 3.0 mA DC
BALLAST RESISTOR:
 1K TYP.
ELECTRODE RUNNING VOLTAGE:
 10 +/- 3.0 V DC
TOTAL LAMP WATTAGE:
 .40 TYP.
INTENSITY
 .1mW/Cm2 @ 365nm
LIFE HOURS:
 *15,000



*TO 50% OUTPUT INTENSITY

JKL PART NO.: BGF717-UV1

		METRIC THIRD ANGLE PROJECTION		DIMENSIONS ARE IN MILLIMETERS TOLERANCE UNLESS OTHERWISE SPECIFIED 1 PL +/- 0.2 2 PL +/- 0.20 ANGLE +/- 0		JKL COMPONENTS CORPORATION			
		DRAWN BY L. WENGSTROM		APPVD BY DATE F.D. 5/9/01		SIZE A	FSCM NO. 55335	DRAWING NO. BGF717-UV1	
RELEASED AND CANCEL P-9911-03		5/9/01		- CAD DRAWING - MANUAL REVISIONS NOT PERMITTED		SCALE NONE	RELEASED DATE 5/9/01	REVISION DATE	REV. NO. 1 OF 1
REV. NO.	DESCRIPTION/ECO NUMBER	APPVD DATE							