

To: DIGI-KEY CORPORATION

Issue No : TS-UQ-EM-73

Date of Issue : May 28, 2012

E N G I N E E R I N G D R A F T

Product Description : Aluminum Electrolytic Capacitor
Product Part Number : EETUQ2G271KF, EETUQ2S271BF
Country of Origin : Malaysia
Marking of the Origin : Printed on the packaging label
Applications : Power Supply
Term of Validity : May 27, 2013 from the date of issue

※These specifications are temporary specifications. Ask factory for technical specifications before purchase and / or use.

Capacitor Business Unit
Industrial Devices Company,
Panasonic Corporation

25 Kohata-nishinaka, Uji City,
Kyoto, 611-8585, Japan

Phone: +81-774-32-1111
Phone: +81-774-33-3209 (Direct)

Prepared by : Engineering Team 4
Engineering Group
Aluminum Capacitor Division

Contact Person :
Signature : _____
Name (Print) : Susumu Morishita
Title : Engineer

Authorized by
Signature : _____
Name (Print) : Hisao Nagara
Title : Manager

No.4626131

Panasonic

Notice matter

- ◆ Law and regulation which are applied
 - This product complies with the RoHS Directive (Restriction of the use of certain Hazardous Substances in electrical and electronic equipment (DIRECTIVE 2002/95/EC).
 - No Ozone Depleting Chemicals (ODC's), controlled under the Montreal Protocol Agreement, are used in producing this product.
 - We do not PBBs or PBDEs as brominated flame retardants.
 - All the materials that are used for this product are registered as "Known Chemicals" in the Japanese act "Law Concerning the Examination and Regulation of Manufacture, etc. of Chemical Substances".
 - Export procedure which followed export related regulations, such as foreign exchange and a foreign trade method, on the occasion of export of this product Thank you for your consideration.

- ◆ Limitation of a use
 - This capacitor is designed to be used for electronic circuits such as audio/visual equipment, home appliances, computers and other office equipment, optical equipment, and measuring equipment.
 - High reliability and safety are required [be / a possibility that incorrect operation of this product may do harm to a human life or property] more. When use is considered by the use, the delivery specifications which suited the use separately need to be exchanged.

- ◆ Unless otherwise specified, the product shall conform to JIS-C- 5101-4-1

- ◆ Country of origin : MALAYSIA

- ◆ Manufacturing factory : Panasonic Electronic Devices Malaysia Sdn.Bhd. (PEDMA)
No.1 Jalan Jemuju 16/13,40200 Shah Alam,Selangor Darul Ehsan, MALAYSIA

Product Specification

TS-UQ-EM-73

EETUQ2G271KF

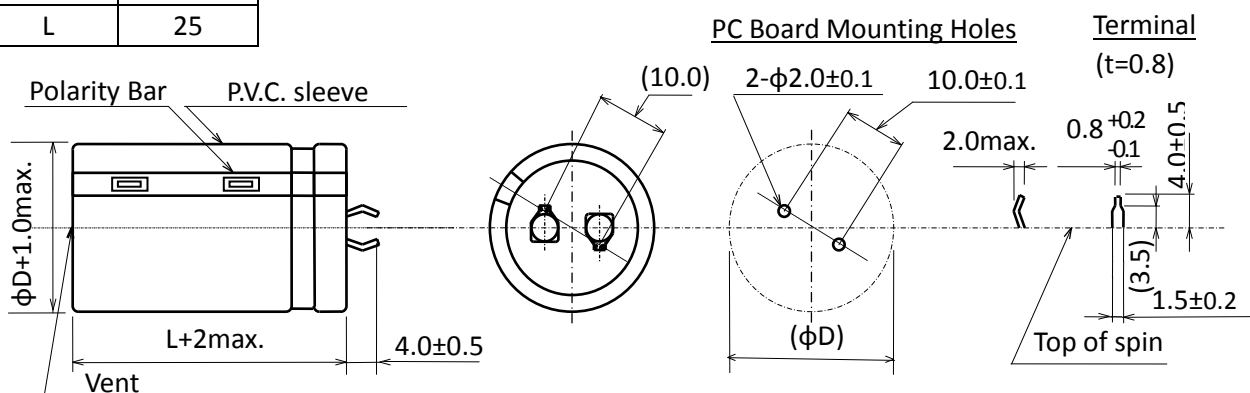
1

[Specification]

Customer Part No.			
Product Part No.	EETUQ2G271KF		
General Specification	Unless specification otherwise, the product shall conform to JIS-C-5101-4-1	Category temp. range	-25°C ~ +85°C
Item	Specification	Measurement Condition	
Nominal Cap.	270 μF	frequency : 120Hz; temperature : +20°C	
Cap. Tolerance	-20 ~ +20 %	frequency : 120Hz; temperature : +20°C	
Rated Working Volt.	400 V.DC		
Surge Voltage	450 V.DC		
Leakage Current	0.98 mA max	After 5 minutes application of rated working voltage at +20°C	
D.F. (tan δ)	0.15 max	frequency : 120Hz; temperature : +20°C	
Ripple Current	1.67 A _{rms}	frequency : 120Hz; temperature : +85°C	
Endurance	<p>The capacitor shall be subjected to application of the D.C. voltage with full rated ripple current at the upper category temperature for a period of 2000 hours. After stabilizing at room temperature (+15 °C to +35°C), the capacitor shall not exceed the specified limits. (The sum of DC voltage and ripple peak voltage shall not exceed the rated working voltage)</p> <p>Capacitance Change : Within ± 20% of initial measured value D.F. (tan δ) : Less than 200% of the initial limit DC Leakage Current : Less than the initial limit</p>		
Shelf Life	<p>The capacitor shall be stored at +85°C for 1000 hours with no voltage applied. After stabilizing at room temperature (+15 °C to +35°C), the capacitor shall be subjected to rated voltage for 30 minutes. The capacitor shall not exceed the limits specified in the Endurance section.</p>		

[Dimension]

	(mm)
φD	30
L	25



- * With top plate.
- ** Marking are printed on the sleeve.

Panasonic Corporation

Design, Specifications are subject to change without notice. Contact your nearest Panasonic sales office for the latest specifications prior to purchase and/or use. Whenever any doubt about safety comes up with this product please contact us immediately for engineering assistance without fail. Specifications are typical and may not apply to all applications.

Product Specification

TS-UQ-EM-73

EETUQ2S271BF

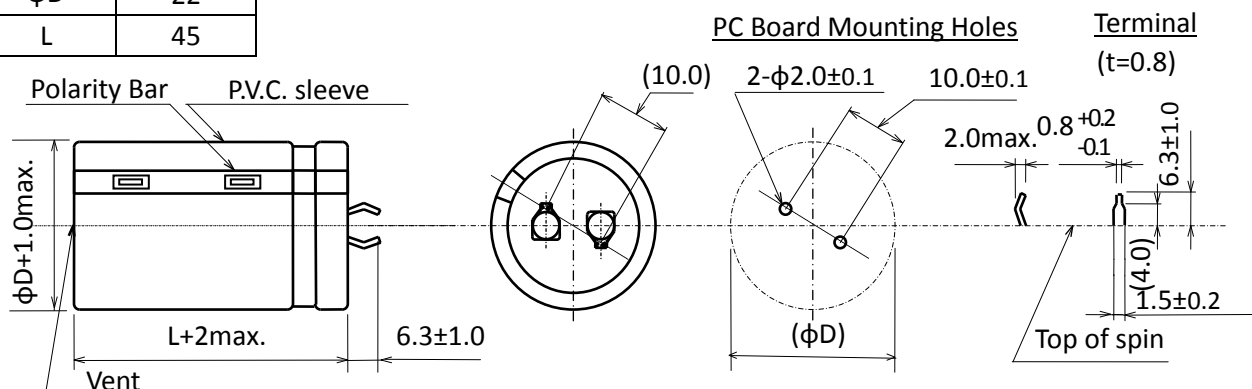
2

[Specification]

Customer Part No.			
Product Part No.	EETUQ2S271BF		
General Specification	Unless specification otherwise, the product shall conform to JIS-C-5101-4-1	Category temp. range	-25°C ~ +85°C
Item	Specification	Measurement Condition	
Nominal Cap.	270 μF	frequency : 120Hz; temperature : +20°C	
Cap. Tolerance	-20 ~ +20 %	frequency : 120Hz; temperature : +20°C	
Rated Working Volt.	420 V.DC		
Surge Voltage	470 V.DC		
Leakage Current	1.01 mA max	After 5 minutes application of rated working voltage at +20°C	
D.F. (tan δ)	0.15 max	frequency : 120Hz; temperature : +20°C	
Ripple Current	1.94 A _{rms}	frequency : 120Hz; temperature : +85°C	
Endurance	<p>The capacitor shall be subjected to application of the D.C. voltage with full rated ripple current at the upper category temperature for a period of 2000 hours. After stabilizing at room temperature (+15 °C to +35°C), the capacitor shall not exceed the specified limits. (The sum of DC voltage and ripple peak voltage shall not exceed the rated working voltage)</p> <p style="margin-left: 40px;">Capacitance Change : Within ± 20% of initial measured value D.F. (tan δ) : Less than 200% of the initial limit DC Leakage Current : Less than the initial limit</p>		
Shelf Life	<p>The capacitor shall be stored at +85°C for 1000 hours with no voltage applied. After stabilizing at room temperature (+15 °C to +35°C), the capacitor shall be subjected to rated voltage for 30 minutes. The capacitor shall not exceed the limits specified in the Endurance section.</p>		

[Dimension]

	(mm)
φD	22
L	45



- * With top plate.
- ** Marking are printed on the sleeve.

Panasonic Corporation

Design, Specifications are subject to change without notice. Contact your nearest Panasonic sales office for the latest specifications prior to purchase and/or use. Whenever any doubt about safety comes up with this product please contact us immediately for engineering assistance without fail. Specifications are typical and may not apply to all applications.

Application Guidelines

Guidelines - 1

- This specification guarantees the quality and performance of the product as individual components. Before use, check and evaluate their compatibility with installed in your products.
- Do not use the products beyond the specifications described in this document.
- Install the following systems for a failsafe design to ensure safety if these products are to be used in equipment where a defect in these products may cause the loss of human life or other signification damage, such as damage to vehicles (automobile, train, vessel), traffic lights, medical equipment, aerospace equipment, electric heating appliances, combustion/ gas equipment, rotating equipment, and disaster/crime prevention equipment.
 - The system is equipped with a protection circuit and protection device.
 - The system is equipped with a redundant circuit or other system to prevent an unsafe status in the event of a single fault.
- Before using the products, carefully check the effects on their quality and performance, and determined whether or not they can be used.

These products are designed and manufactured for general-purpose and standard use in general electronic equipment. These products are not intended for use in the following special conditions.

 - 1) In liquid, such as Water, Oil, Chemicals, or Organic solvent
 - 2) In direct sunlight, outdoors, or in dust
 - 3) In vapor, such as dew condensation water of resistive element, or water leakage, salty air, or air with a high concentration corrosive gas, such as Cl₂, H₂S, NH₃, SO₂, or NO₂
 - 4) In an environment where strong static electricity or electromagnetic waves exist
 - 5) Mounting or placing heat-generating components or inflammables, such as vinyl-coated wires, near these products
 - 6) Sealing or coating of these products or a printed circuit board on which these products are mounted, with resin and other material
 - 7) Using solvent, water or water-soluble cleaner for flux cleaning agent after soldering.

(In particular, when using water or a water-soluble cleaning agent, be careful not to leave water residues)
- Please arrange circuit design for preventing impulse or transitional voltage. Do not apply voltage, which exceeds the full rated voltage when the capacitors receive impulse voltage, instantaneous high voltage, high pulse voltage etc.
- Electrolyte is used in the products. Therefore, misuse can result in rapid deterioration of characteristics and functions of each product. Electrolyte leakage damages printed circuit and affects performance, characteristics, and functions of customer system.

1.0 Circuit Design**1.1. Operating Temperature and Frequency**

Electrical parameters for electrolytic capacitors are normally specified at 20 deg. C temperature and 120 Hz frequency. These parameters vary with changes in temperature and frequency. Circuit designers should take these changes into consideration.

- (1) Effects of operating temperature on electrical parameters
 - a) At higher temperatures, leakage current and capacitance increase while equivalent series resistance (ESR) decreases
 - b) At lower temperatures, leakage current and capacitance decrease while equivalent series resistance (ESR) increases
- (2) Effects of frequency on electrical parameters
 - a) At higher frequencies, capacitance and impedance decrease while $\tan \delta$ increases.
 - b) At lower frequencies, heat generated by ripple current will rise due to an increase in equivalent series resistance (ESR)

1.2. Operating Temperature and Life Expectancy

- (1) Expected life is affected by operating temperature. Generally, each 10 deg. C reduction in temperature will double the expected life. Use capacitors at the lowest possible temperature below the upper category temperature.
- (2) If operating temperatures exceed the upper category limit, rapid deterioration of electrical parameter will occur and irreversible damage will result.

Check for the maximum capacitor operating temperatures including ambient temperature, internal capacitor temperature rise due to ripple current, and the effects of radiated heat from power transistors, IC's or resistors. Avoid placing components, which could conduct heat to the capacitor from the back side of the circuit board.
- (3) The formula for calculating expected life at lower operating temperatures is as follows;

$$L_2 = L_1 \times 2^{\frac{T_1 - T_2}{10}}$$

L1 : Guaranteed life (h) at temperature, T1 deg.C

L2 : Expected life (h) at temperature, T2 deg.C

T1 : Upper category temperature (deg.C)

T2 : Actual operating temperature;

Ambient temperature + temperature rise due to ripple current heating (°C)

- (4) Please use according to the lifetime as noted in this specification. Using products beyond end of the lifetime may change characteristics rapidly, short-circuit, operate pressure relief vent, or leak electrolyte.

Panasonic Corporation

Design, Specifications are subject to change without notice. Contact your nearest Panasonic sales office for the latest specifications prior to purchase and/or use. Whenever any doubt about safety comes up with this product please contact us immediately for engineering assistance without fail. Specifications are typical and may not apply to all applications.

Application Guidelines

Guidelines - 2

1.3. Common Application Conditions to Avoid

The following misapplication load conditions will cause rapid deterioration of a capacitor's electrical parameters. In addition, rapid heating and gas generation within the capacitor can occur, causing the pressure relief vent to operate and resultant leakage of electrolyte. Under extreme conditions, explosion and fire ignition could result.

The leaked electrolyte is combustible and electrically conductive.

(1) Reverse Voltage

DC capacitors have polarity. Verify correct polarity before insertion. For circuits with changing or uncertain polarity, use DC bipolar capacitors. DC bipolar capacitors are not suitable for use in AC circuits.

(2) Charge / Discharge Applications

Standard capacitors are not suitable for use in repeating charge/discharge applications. For charge/ discharge applications, consult us with your actual application condition.

(3) ON-OFF circuit

Do not use capacitors in circuit where ON-OFF switching is repeated more than 10000 times/per day.

In case of applying to the theses ON-OFF circuit, consult with us about circuit condition and so on.

(4) Over voltage

Do not apply voltages exceeding the maximum specified rated voltage. Voltages up to the surge voltage rating are acceptable for short periods of time.

Ensure that the sum of the DC voltage and the super-imposed AC ripple voltage does not exceed the rated voltage.

(5) Ripple Current

Do not apply ripple currents exceeding the maximum specified value. For high ripple current applications, use a capacitor designed for high ripple currents. In addition, consult us if the applied ripple current is to be higher than the maximum specified value. Ensure that rated ripple currents that superimposed on low DC bias voltages do not cause reverse voltage conditions.

1.4. Using Two or More Capacitors in Series or Parallel**(1) Capacitors Connected in Parallel**

The circuit resistance can closely approximate the series resistance of the capacitor, causing an imbalance of ripple current loads within the capacitors. Careful wiring methods can minimize the possible application of an excessive ripple current to a capacitor.

(2) Capacitors Connected in Series

Differences in normal DC leakage current among capacitors can cause voltage imbalances.

The use of voltage divider shunt resistors with consideration to leakage currents can prevent capacitor voltage imbalances.

1.5. Capacitor Mounting Considerations**(1) Double-Sided Circuit Boards**

Avoid wiring pattern runs, which pass between the mounted capacitor and the circuit board. When dipping into a solder bath, an excess solder may deposit under the capacitor by capillary action, causing short circuit between anode and cathode terminals.

(2) Circuit Board Hole Positioning

The vinyl sleeve of the capacitor can be damaged if solder passes through a lead hole into the subsequently processed parts. Special care when locating hole positions in proximity to capacitors is recommended.

(3) Circuit Board Hole Spacing

The spacing of circuit board holes should match the lead wire spacing of capacitors within the specified tolerances.

Incorrect spacing can cause an excessive lead wire stress during the insertion process.

This may result in premature capacitor failure due to the short or open circuit, increased leakage current, or electrolyte leakage.

(4) Clearance for Case Mounted Pressure Relief

Capacitors with case mounted pressure relief require sufficient clearance to allow proper pressure relief operation.

The minimum clearances are dependent of capacitor diameters as follows.

Dia. 6.3 ~ Dia. 16 mm: 2 mm minimum, Dia. 18 ~ Dia. 35 mm: 3 mm minimum, Dia. 40 mm or greater: 5 mm minimum.

(5) Clearance for Seal Mounted Pressure Relief

Provide a hole on a circuit board to relieve gas when a pressure relief of a capacitor is situated underneath of the circuit board.

(6) Wiring Near the Pressure Relief

Avoid locating high voltage, high current wiring, or circuit board paths above the pressure relief.

Flammable, high temperature gas that exceeds 100 °C may be released and could dissolve the wire insulation and ignite.

(7) Circuit Board Patterns Under the Capacitor

Avoid circuit board runs underneath the capacitor, as an electrical short can occur due to an electrolyte leakage.

(8) Be careful for the sympathetic vibration after mounting on the board

The mechanical stress will make damage for its mounting strength and electrical characteristics.

Use reinforcement like an adhesive for The Snap-in type products when the capacitor is mounted horizontally on the vertical positioned circuit board.

1.6. Electrical Isolation of the Capacitor

Completely isolate the capacitor as follows.

(1) Between the cathode and the case (except for axially leaded B types) and between the anode terminal and other circuit paths.

(2) Between the extra mounting terminals (on T types) and the anode terminal, cathode terminal, and other circuit paths.

Application Guidelines

Guidelines - 3

1.7. Capacitor Sleeve

The vinyl sleeve or laminate coating is intended for marking and identification purposes and is not meant to electrically insulate the capacitor.

The sleeve may split or crack if immersed into solvents such as toluene or xylene and then subsequently exposed to high temperatures.

2.0 Capacitor Handling Techniques**2.1. Considerations Before Using**

- (1) Capacitors have a finite life. Do not reuse or recycle capacitors from used equipment.
- (2) Transient recovery voltage may be generated in the capacitor due to dielectric absorption.
If required, this voltage can be discharged with a resistor with a value of about 1kΩ.
- (3) Capacitors stored for a long period of time may exhibit an increase in leakage current.
This can be corrected by gradually applying rated voltage in series with a resistor of approximately 1kΩ.
- (4) If capacitors are dropped, they can be damaged mechanically or electrically. Avoid using dropped capacitors.
- (5) Dented or crushed capacitors should not be used. The seal integrity can be damaged and loss of electrolyte/shortened life can result.

2.2. Capacitor Insertion

- (1) Verify the correct capacitance and rated voltage of the capacitor.
- (2) Verify the correct polarity of the capacitor before insertion.
- (3) Verify the correct hole spacing before insertion (land pattern size on chip type) to avoid stress on the terminals.
- (4) Ensure that the lead clinching operation done by auto insertion equipments does not stress the capacitor leads where they enter the seal of the capacitor.
For chip type capacitors, excessive mounting pressure can cause high leakage current, short circuit, or disconnection.

2.3. Manual Soldering

- (1) Apply soldering conditions (temperature and time) based on the specification, or do not exceed temperature of 390 °C for 3 seconds or less
- (2) If lead wires must be modified to meet terminal board hole spacing, avoid stress on the lead wire where it enters the capacitor seal.
- (3) If a soldered capacitor must be removed and reinserted, avoid excessive stress on the capacitor leads.
- (4) Avoid physical contacts between the tip of the soldering iron and capacitors to prevent melting of the vinyl sleeve.

2.4. Flow Soldering

- (1) Do not immerse the capacitor body into the solder bath as excessive internal pressure could result.
- (2) Apply proper soldering conditions (temperature, time, etc.). Do not exceed the specified limits.
- (3) Do not allow other parts or components to touch the capacitor during soldering.

2.5. Other Soldering Considerations

Rapid temperature rise during the preheat operation and resin bonding operation can cause cracking of the capacitor's vinyl sleeve.
For heat curing, do not exceed 150 °C for the maximum time of 2 minutes.

2.6. Capacitor Handling after Soldering

- (1) Avoid moving the capacitor after soldering to prevent excessive stress on the lead wires where they enter the seal.
- (2) Do not use the capacitor as a handle when moving the circuit board assembly.
- (3) Avoid striking the capacitor after assembly to prevent failure due to excessive shock.

2.7. Circuit Board Cleaning

- (1) Circuit boards can be immersed using suitable cleaning solvents for up to 5 minutes and up to 60 °C maximum temperatures. The boards should be thoroughly rinsed and dried.
The use of ozone depleting cleaning agents is not recommended for the purpose of protecting our environment.
- (2) Avoid using the following solvent groups unless specifically allowed in the specification;
 - Halogenated cleaning solvents : except for solvent resistant capacitor types, halogenated solvents can permeate the seal and cause internal capacitor corrosion and failure.
For solvent resistant capacitors, carefully follow the temperature and time requirements based on the specification. 1-1-1 trichloroethane should never be used on any aluminum electrolytic capacitor.
 - Alkaline solvents : could react and dissolve the aluminum case.
 - Petroleum based solvents : deterioration of the rubber seal could result.
 - Xylene : deterioration of the rubber seal could result.
 - Acetone : deterioration of the rubber seal could result.
- (3) A thorough drying after cleaning is required to remove residual cleaning solvents that may be trapped between the capacitor and the circuit board. Avoid drying temperatures, which exceed the Upper category temperature of the capacitor.
- (4) Monitor the contamination levels of the cleaning solvents during use in terms of electrical conductivity, pH, specific gravity, or water content.
Chlorine levels can rise with contamination and adversely affect the performance of the capacitor.
- (5) Depending on the cleaning method, the marking on a capacitor may be erased or blurred.
Please consult us if you are not certain about acceptable cleaning solvents or cleaning methods.

Panasonic Corporation

Design, Specifications are subject to change without notice. Contact your nearest Panasonic sales office for the latest specifications prior to purchase and/or use. Whenever any doubt about safety comes up with this product please contact us immediately for engineering assistance without fail. Specifications are typical and may not apply to all applications.

Application Guidelines

Guidelines - 4

2.8. Mounting Adhesives and Coating Agents

When using mounting adhesives or coating agents to control humidity, avoid using materials containing halogenated solvents. Also, avoid the use of chloroprene based polymers.

Harden on dry adhesive or coating agents well lest the solvent should be left.

After applying adhesives or coatings, dry thoroughly to prevent residual solvents from being trapped between the capacitor and the circuit board.

2.9. Fumigation

In exporting electronic appliances with aluminum electrolytic capacitors, in some cases fumigation treatment using such halogen compound as methyl bromide is conducted for wooden boxes.

If such boxes are not dried well, the halogen left in the box is dispersed while transported and enters in the capacitors inside.

This possibly causes electrical corrosion of the capacitors. Therefore, after performing fumigation and drying make sure that no halogen is left.

Don't perform fumigation treatment to the whole electronic appliances packed in a box.

3.0 Precautions for using capacitors**3.1. Environmental Conditions**

Capacitors should not be stored or used in the following environments.

- (1) Exposure to temperatures above the upper category or below the lower category temperature of the capacitor
- (2) Direct contact with water, salt water, or oil
- (3) High humidity conditions where water could condense on the capacitor.
- (4) Exposure to toxic gases such as hydrogen sulfide, sulfuric acid, nitric acid, chlorine, Chlorine compound, Bromine, Bromine compound or ammonia
- (5) Exposure to ozone, radiation, or ultraviolet rays
- (6) Vibration and shock conditions exceeding specified requirements

3.2. Electrical Precautions

- (1) Avoid touching the terminals of a capacitor as a possible electric shock could result. The exposed aluminum case is not insulated and could also cause electric shock if touched.
- (2) Avoid short circuiting the area between the capacitor terminals with conductive materials including liquids such as acids or alkaline solutions.
- (3) A low-molecular-weight-shiroxane which is included in a silicon material shall causes abnormal electrical characteristics.

4.0 Emergency Procedures

- (1) If the pressure relief of the capacitor operates, immediately turn off the equipment and disconnect from the power source. This will minimize an additional damage caused by the vaporizing electrolyte.
- (2) Avoid contact with the escaping electrolyte gas, which can exceed 100 °C temperatures. If electrolyte or gas enters the eye, immediately flush the eye with large amounts of water. If electrolyte or gas is ingested by mouth, gargle with water. If electrolyte contacts the skin, wash with soap and water.

5.0 Long Term Storage

Leakage current of a capacitor increases with long storage times. The aluminum oxide film deteriorates as a function of temperature and time.

If used without reconditioning, an abnormally high current will be required to restore the oxide film.

This surge current could cause the circuit or the capacitor to fail.

Storage period is one year. When storage period is over 12 months, a capacitor should be reconditioned by applying the rated voltage in series with a 1000 Ω current limiting resistor for a time period of 30 minutes.

For storage condition, keep room temperature (5°C ~ 35°C) and humidity (45%RH ~ 85%) where direct sunshine doesn't reach.

5.1. Environmental Conditions

- (1) Exposure to temperatures above the upper category or below the lower category temperature of the capacitor
- (2) Direct contact with water, salt water, or oil
- (3) High humidity conditions where water could condense on the capacitor.
- (4) Exposure to toxic gases such as hydrogen sulfide, sulfuric acid, nitric acid, chlorine, Chlorine compound, Bromine, Bromine compound or ammonia.
- (5) Exposure to ozone, radiation, or ultraviolet rays
- (6) Vibration and shock conditions exceeding specified requirements

6.0 Capacitor Disposal

When disposing capacitors, use one of the following methods:

- (1) Incinerate after crushing the capacitor or puncturing the can wall (to prevent explosion due to internal pressure rise). Capacitors should be incinerated at high temperature to prevent the release of toxic gases such as chlorine from the PVC sleeve, etc.
- (2) Dispose as solid waste.

* NOTE: Local laws may have specific disposal requirements which must be followed

Panasonic Corporation

Design, Specifications are subject to change without notice. Contact your nearest Panasonic sales office for the latest specifications prior to purchase and/or use. Whenever any doubt about safety comes up with this product please contact us immediately for engineering assistance without fail. Specifications are typical and may not apply to all applications.