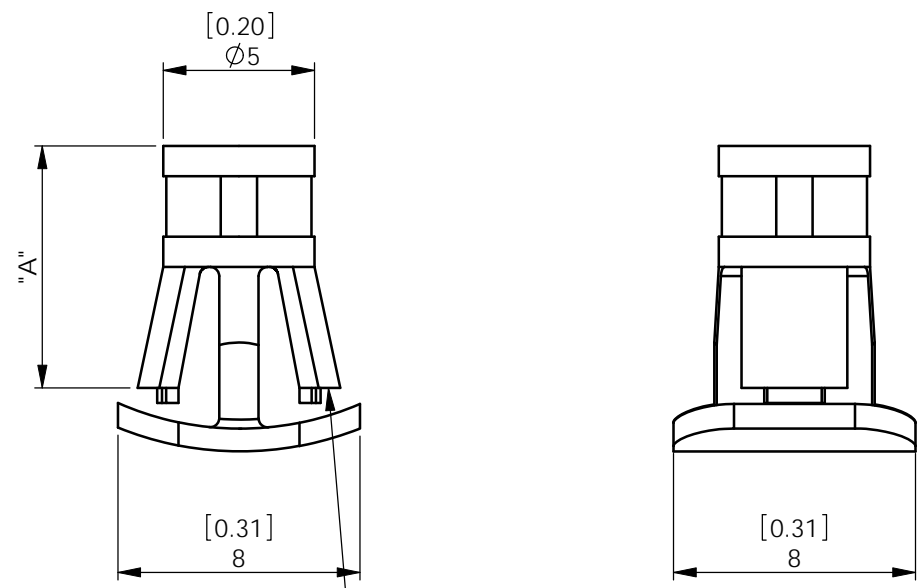


REV.	MODIFICATION.	DATE	DRN
A 01	Preliminary Drawing Production Release	09/09/08 15/09/08	MT MT



TO FIT IN A Ø5.5mm [0.22] HOLE,
0.5mm [0.02]-1.0mm [0.04] THICK PANEL.

MATL: NYLON 6/6 RMS-01* COLOUR: NATURAL	"A" STANDOFF HEIGHT
RLCBSB-5-01	5 [0.20]
RLCBSB-6-01	6 [0.24]
RLCBSB-8-01	8 [0.31]
RLCBSB-10-01	10 [0.39]
RLCBSB-12-01	12 [0.47]
RLCBSB-14-01	14 [0.55]

*AVAILABLE IN UL94 V0 BY SPECIAL ORDER.
TO ORDER REPLACE -01 WITH -19.

INFORMATION CONTAINED IN THIS DOCUMENT IS CONFIDENTIAL TO RICHCO INTERNATIONAL Co. Ltd. AND MAY NOT BE DISCLOSED OR REPRODUCED IN WHOLE OR PART WITHOUT THEIR WRITTEN CONSENT.

METRIC PRIMARY UNITS:mm
IMPERIAL SECONDARY UNITS:[inches]
GENERAL TOLERANCES ±0.25 [0.010]
UNLESS OTHERWISE STATED
1 DECIMAL PLACE ±
2 DECIMAL PLACES ±
ANGULAR ±1°

THIRD ANGLE

MATERIAL: NYLON 6/6 (RMS-01)		COLOUR: NATURAL	
DESCRIPTION: REVERSE LOCKING CIRCUIT BOARD SUPPORT		PART No: SEE TABLE	
DRG No: 08-090	NPR No: GB08-0058	Mass:(g) 0.2-0.4	SHEET SIZE A4
DRN MT	DATE 09/09/08	CHKD JK	DATE 15/09/08
SCALE NTS		SHEET No. 1 OF 1	