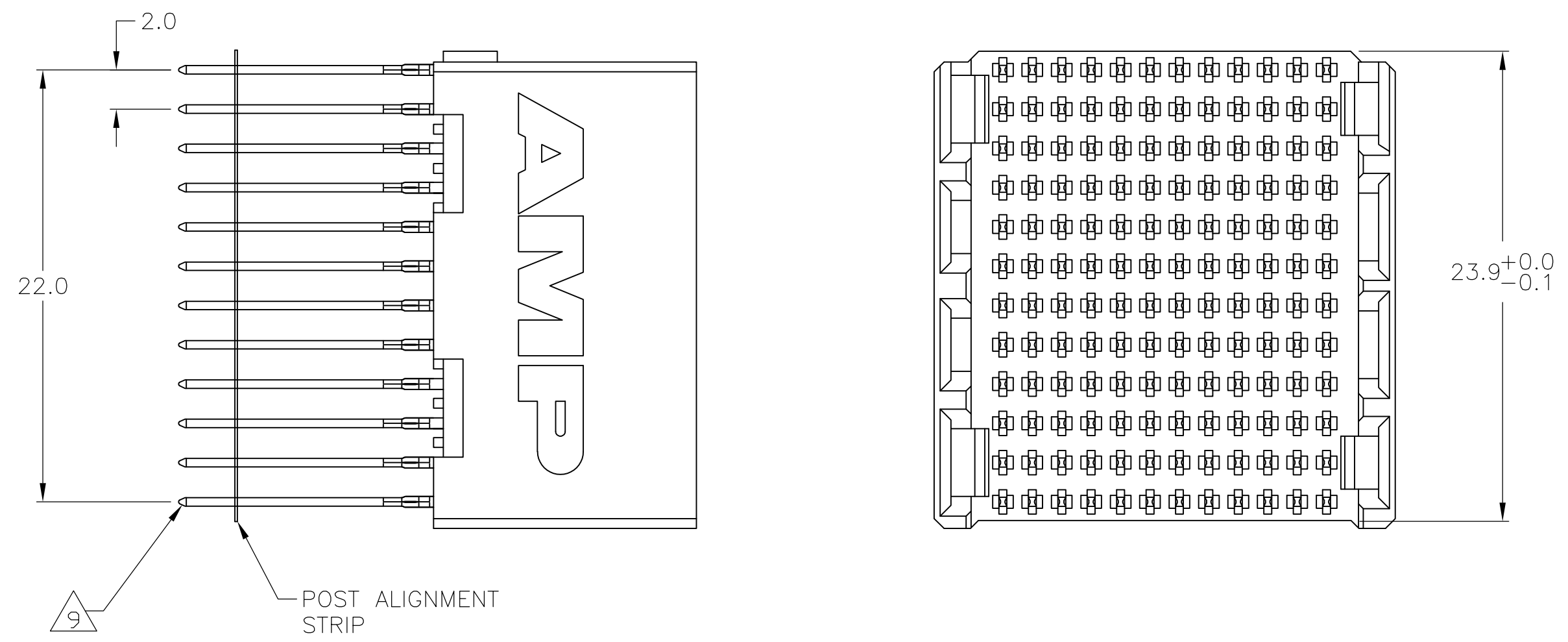
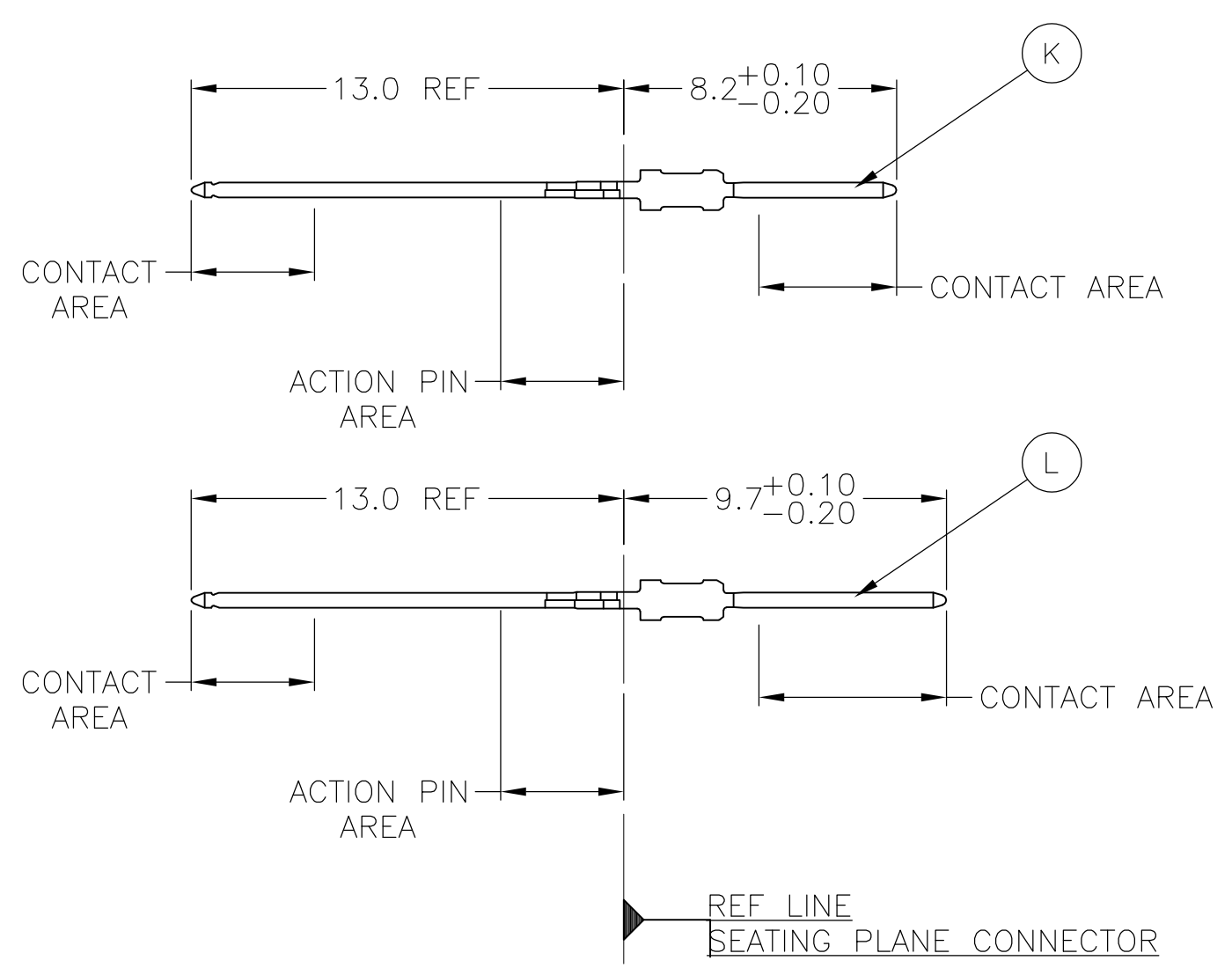


LOC		DIST		REVISIONS			
AD	00	REV	DESCRIPTION	DATE	BY	CHK	APPV
		B	REV PER ECO-06-021628	11JAN07	DKH	GS	
		C	ECR-10-019054	15SEP10	DP	MQW	

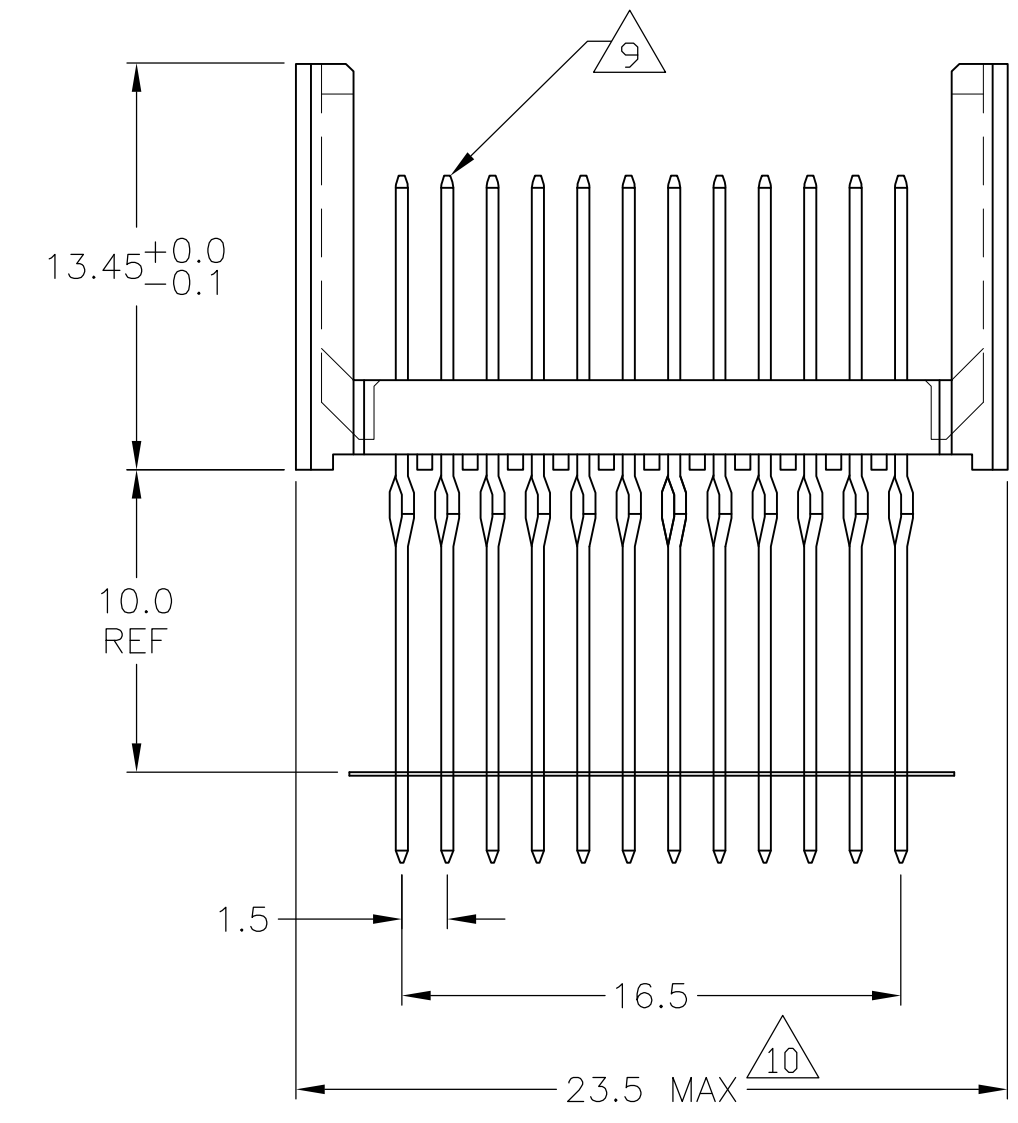
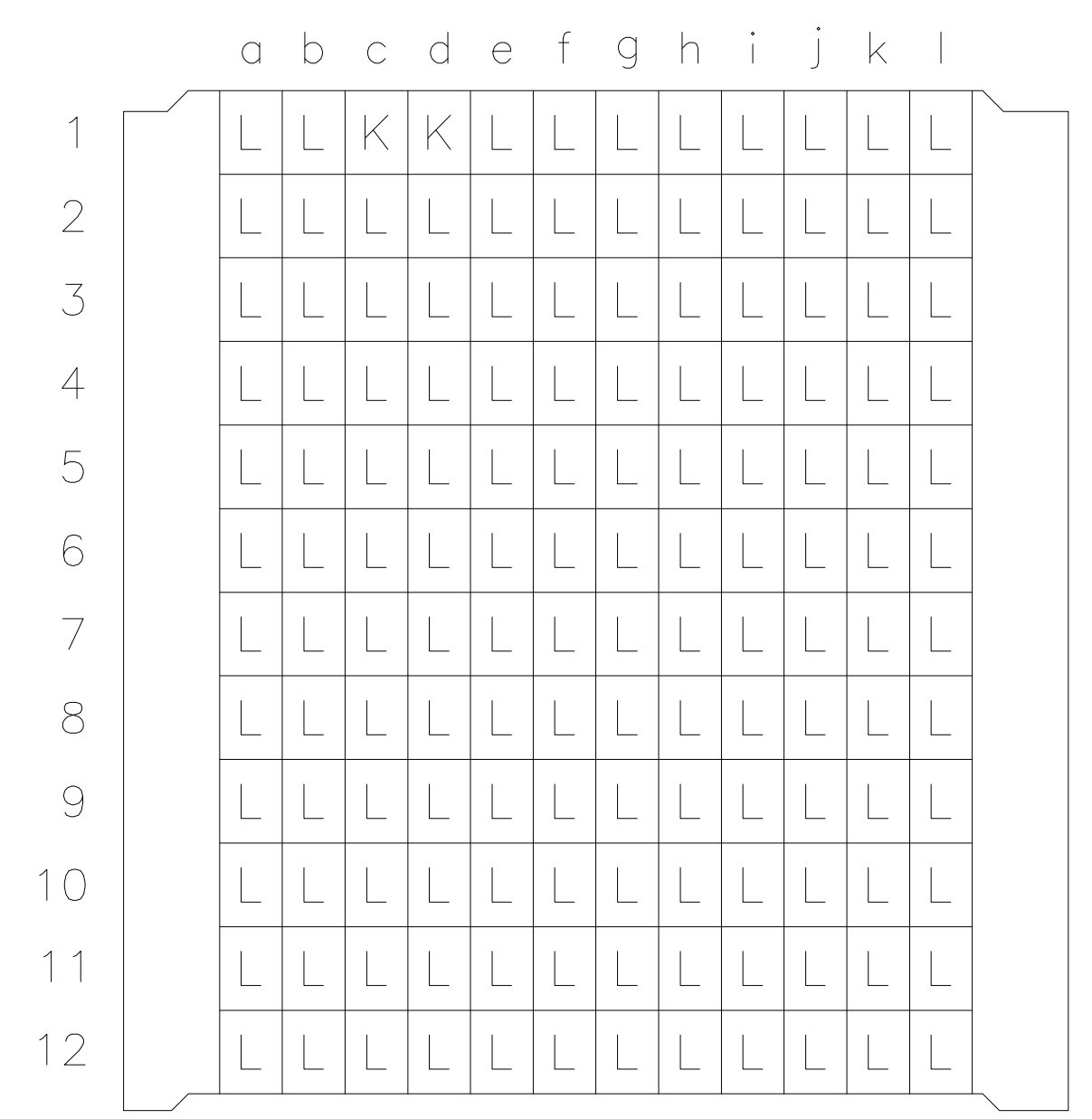
CONNECTOR ASSEMBLY EXAMPLARY LOADED



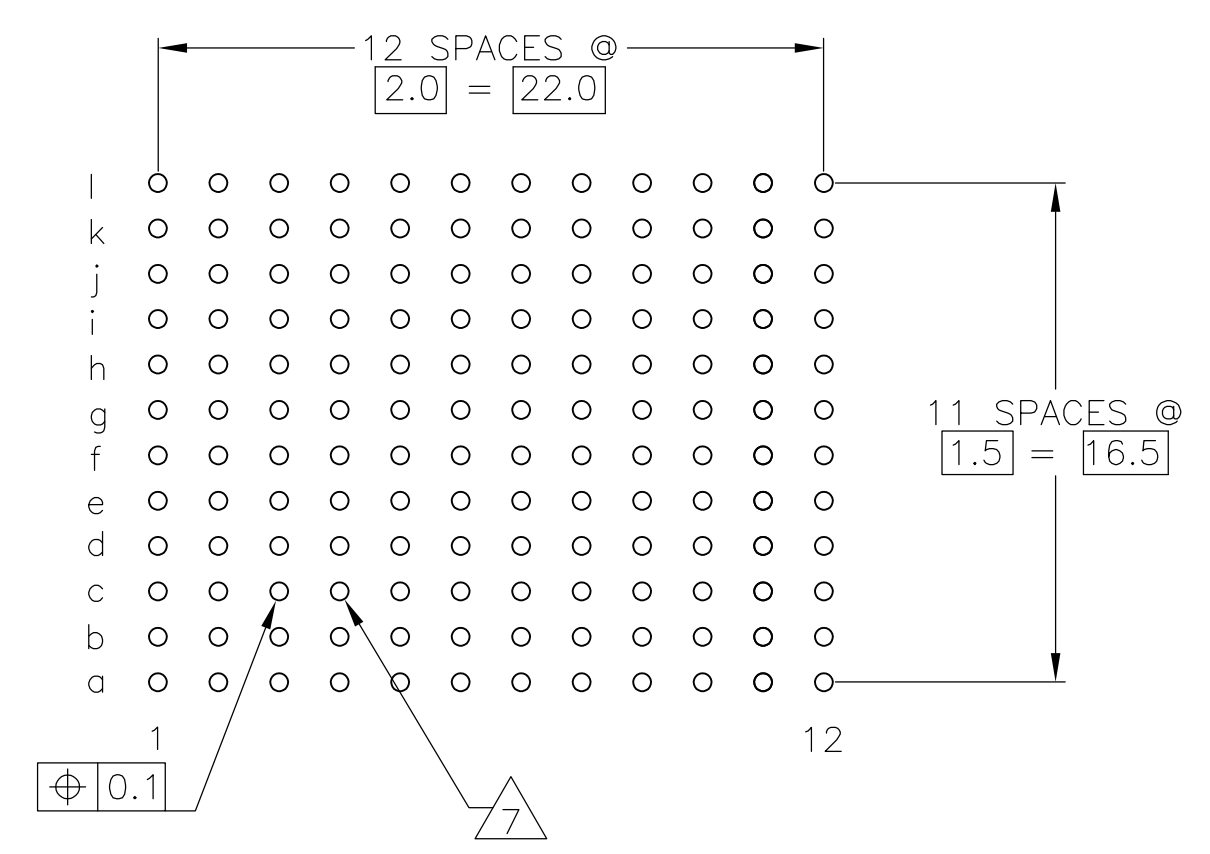
CONTACT DIMENSIONS SCALE 5:1



CONTACT LAYOUT



RECOMMENDED PCB-HOLE LAYOUT COMPONENT SIDE SHOWN



PLATED THRU HOLES PARAMETERS REFERENCE APPLICATION SPECIFICATION

2 6 11	1-5120897-9
2 5 11	5120897-9
2 4	5120897-4
2 3	5120897-1
FINISH	PART NUMBER

THIS DRAWING IS A CONTROLLED DOCUMENT.		DIN B CARBO 03AUG05	Tyco Electronics Corporation Harrisburg, Pa 17105-3608	
DIMENSIONS: mm		CHK G SKIPPER 03AUG05	NAME	
TOLERANCES UNLESS OTHERWISE SPECIFIED:		APPV G SKIPPER 03AUG05	PRODUCT SPEC	
0-PLG ±		108-1738		
1-PLG ±0.1		APPLICATION SPEC		
2-PLG ±		114-1132		
3-PLG ±		SIZE CAGE CODE DRAWING NO		
4-PLG ±		A1 00779 C=5120897		
ANGLES ±		RESTRICTED TO		
MATERIAL 1		WEIGHT		
FINISH SEE TABLE		CUSTOMER DRAWING		
		SCALE 4:1 SHEET 1 OF 2 REV C		

THIS DRAWING IS UNPUBLISHED. RELEASED FOR PUBLICATION
COPYRIGHT BY TYCO ELECTRONICS CORPORATION. ALL RIGHTS RESERVED.

LOC		DIST		REVISIONS			
AD	00	IF	LTR	DESCRIPTION	DATE	DRN	APVD
				SEE SHEET 1			

- 1 MATERIAL:
CONTACT: PHOSPHOR BRONZE.
HOUSING: GLASS-FILLED POLYESTER.
- 2 GENERAL PLATING SPECIFICATION: UNDERPLATING
(ENTIRE CONTACT): 1.27µm MIN NICKEL AND ACTION
PIN: 0.5µm MIN TIN.
FOR PLATING OF MATING SURFACES SEE APPLICABLE
SPECIFICATION REFERENCE FOR EACH DASH NUMBER.
- 3 CONFORMS TO ALL TESTING ACCORDING TO IEC 61076-4-101
PERFORMANCE LEVEL 2.
- 4 CONFORMS TO ALL TESTING ACCORDING TO IEC 61076-4-101
PERFORMANCE LEVEL 1.
- 5 CONNECTOR TESTED AND QUALIFIED AGAINST TELCORDIA GR-1217-CORE QUALITY LEVEL 3,
CENTRAL OFFICE APPLICATIONS.
- 6 CONNECTOR TESTED AND QUALIFIED AGAINST TELCORDIA GR-1217-CORE QUALITY LEVEL 3,
UNCONTROLLED ENVIROMENT APPLICATIONS.
- 7 PLATED-THROUGH HOLES AT 2x2mm SQUARE GRID
PATTERN DEFINED BY CONTACT LAYOUT.
- 8 FOR ACTUAL PIN LOADING SEE "CONTACT LAYOUT".
- 9 FOR ACTUAL PIN DIMENSIONS SEE "CONTACT DIMENSIONS".
- 10 TO BE MEASURED AT BOTTOM OF SHROUD.
- 11 CONNECTOR LUBRICATED WITH BELCORE APPROVED LUBRICANT,
TECHNICAL REFERENCE: TR-NWT-001217 ISSUE 1, SEP 1992.

THIS DRAWING IS A CONTROLLED DOCUMENT.		DRN B. CARBO	03AUG05	Tyco Electronics Corporation Harrisburg, Pa 17105-3608	
DIMENSIONS: mm		CHK G. SKIPPER	03AUG05	NAME	
TOLERANCES UNLESS OTHERWISE SPECIFIED:		APD G. SKIPPER	03AUG05	PRODUCT SPEC	
0-PLC ±		108-1738		APPLICATION SPEC	
1-PLC ±0.1		114-1132		RESTRICTED TO	
2-PLC ±		A1 00779		DRAWING NO	
3-PLC ±		5120897		SCALE	
4-PLC ±		CUSTOMER DRAWING		SHEET 2 OF 2	
ANGLES ±				REV C	
FINISH					
MATERIAL SEE SHEET 1	FINISH SEE SHEET 1	WEIGHT			