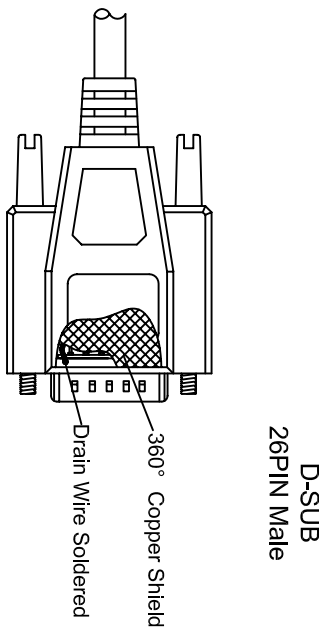
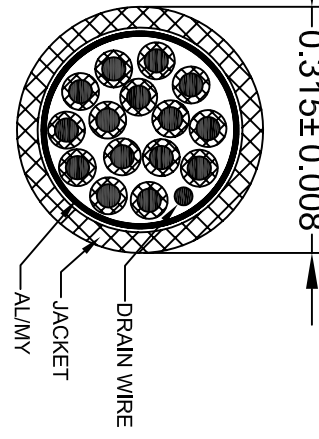
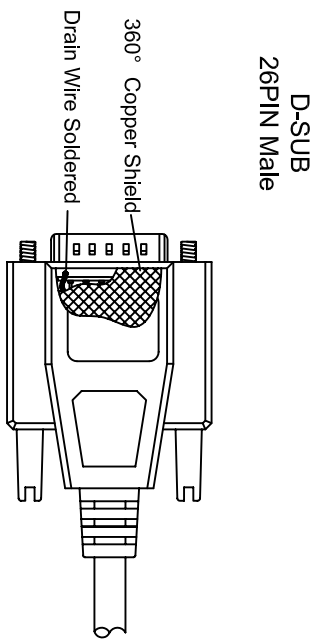
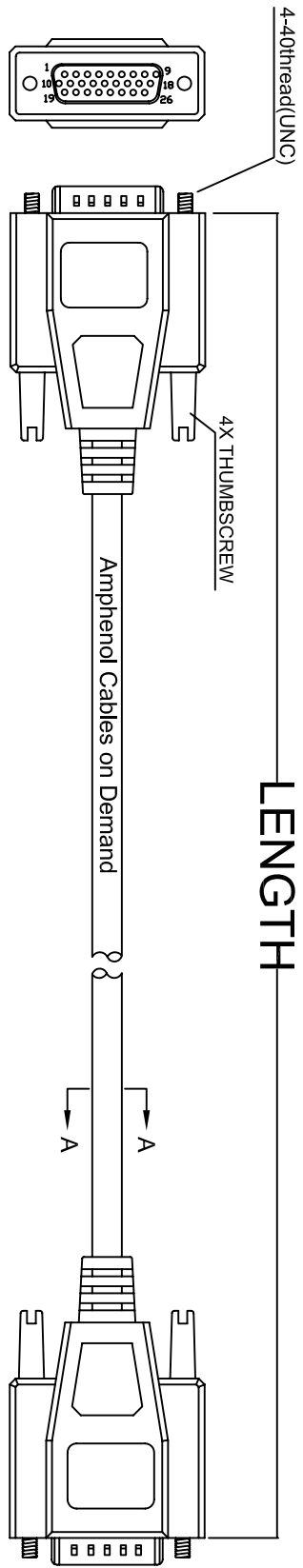


THE INFORMATION CONTAINED IN THIS DRAWING IS THE SOLE PROPERTY OF AMPHENOL CABLES ON DEMAND. ANY REPRODUCTION OR DISCLOSURE TO THIRD PARTIES, IN PART OR WHOLE, WITHOUT THE EXPRESS WRITTEN PERMISSION OF AMPHENOL CABLES ON DEMAND IS PROHIBITED.

REV.	DESCRIPTION	DATE	APPROVED
A	NEW RELEASE	31/07/06	
A1	Change Part Number	17/11/06	



PIN OUT: 1 TO 1		
Male	PIN1	Male
PIN1	—	PIN1
PIN2	—	PIN2
PIN3	—	PIN3
PIN4	—	PIN4
PIN5	—	PIN5
PIN6	—	PIN6
PIN7	—	PIN7
PIN8	—	PIN8
PIN9	—	PIN9
PIN10	—	PIN10
PIN11	—	PIN11
PIN12	—	PIN12
PIN13	—	PIN13
PIN14	—	PIN14
PIN15	—	PIN15

LENGTH	P/N	Cable Color
2.5FT ± 1 inch	CS-DSDHD26MM0-002.5	GREY
5FT ± 2 inch	CS-DSDHD26MM0-005	GREY
10FT ± 3 inch	CS-DSDHD26MM0-010	GREY
15FT ± 3 inch	CS-DSDHD26MM0-025	GREY



UNLESS OTHERWISE SPECIFIED DIMENSIONS ARE IN INCHES TOLERANCES ARE:		EAR NO.	
DECIMALS	±.XX	DRAWN	DATE
ANGLES	±X°	LF	17/11/06
THIRD ANGLE PROJECTION	RES' ENG	CHECKED	BA
	MFG ENG		17/11/06

AMPHENOL CABLES ON DEMAND		20 VALLEY ST. ENDCOTT, NY 13760	
ASM CBL Deluxe High Density		SIZE	DWG. NO.
26PIN D-Sub MM		A	CS-DSDHD26MM0-XXXX
SCALE	SHEET	OF	REV.
			A1