

## SUMMARY

### # Wires

Low	0
High	0
Coax	0
Triax	0
Quad	0
Fiber	0
Fluidic	0

Series SP

Termination type

IP rating 50

Cable Ø 0.00 - 0.00 mm

Matching parts SAP.M13.GLA.6G

Status

Alternative part



*Image is for illustrative purpose only*

### Download

[Request a quote](#)

[Catalog](#)

## TECHNICAL DETAILS

### Mechanics

Shell Style/Model	SK_.SP*: Fixed socket, key (N) or keys (P, S and T),grey, with two nuts (back panel mounting)
Keying	3 key (alpha=60, plug: male contacts, receptacle: female contacts)
Housing Material	
Cable Fixing	∅ 0 - 0 mm
Variant	G : Gray front nut

### Performance

Configuration	
Insulator	
Rated Current	4.0 Amps

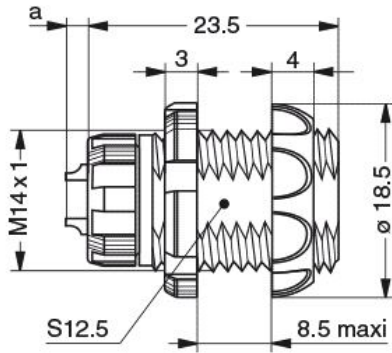
### Specifications

Test voltage (kV rms) Contact-contact: 1.05  
Air clearance min. (mm) or Creepage distance min. (mm): 0.50

### Others

## DRAWINGS

### Draws



### Dimensions

	B	E <sub>max</sub>	N	a	e
mm.	18.5	8.5	23.5	2.2	M14x1
in.	0,73	0,33	0,93	0,09	

## RECOMMENDED BY LEMO

### Tools

None

### Cables