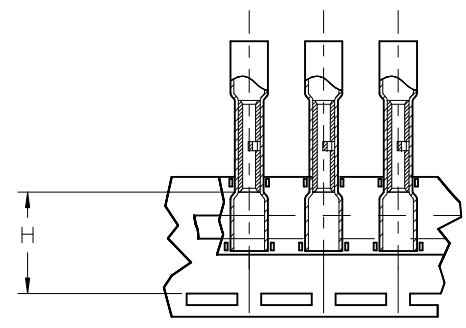
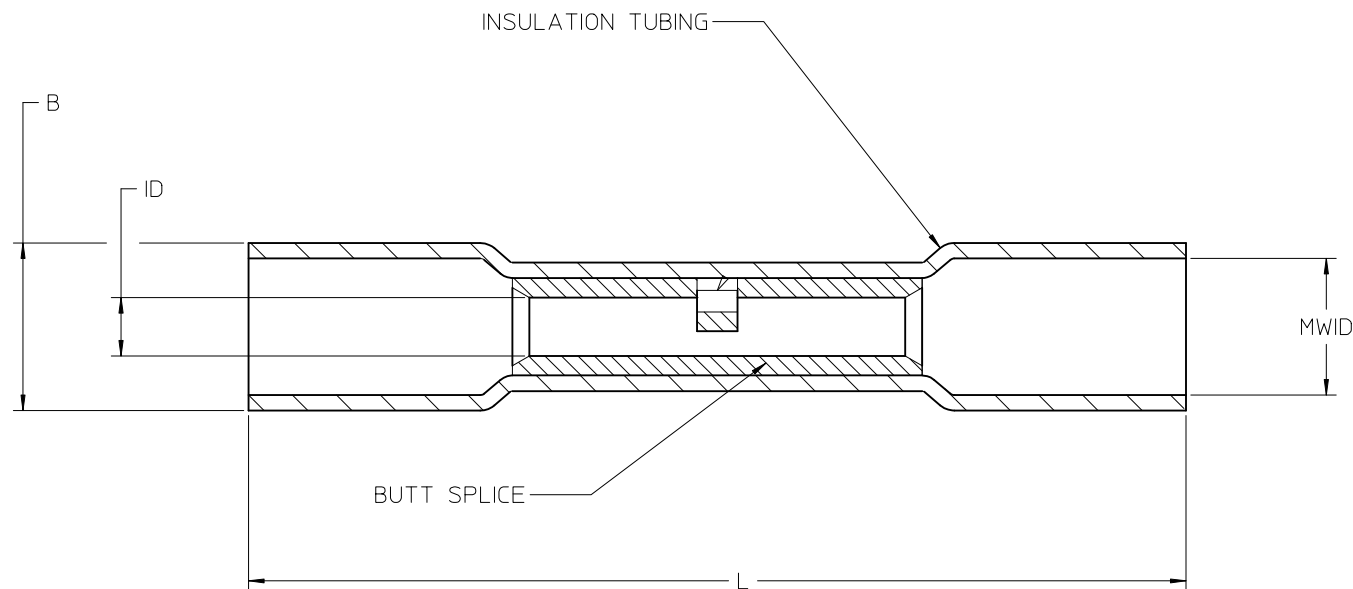


LOOSE PIECE		TAPE MOUNTED		DIMENSIONS					APPEARANCE	
MATERIAL NO.	ENGINEERING P/N	MATERIAL NO.	ENGINEERING P/N	ID, MIN	MWID MIN	L MAX	B MAX	H ±.03/0.8	COLOR (REF)	TEXT
197170001	HSAA-22-18	197170003	HSAA-22-18T	.059/1.50	.163/4.14	1.55/39.4	.280/7.11	.77/19.5	RED	22-18 AWG
197170002	HSBB-16-14	197170004	HSBB-16-14T	.091/2.31	.200/5.08	1.55/39.4	.315/8.00	.73/18.5	BLUE	16-14 AWG

(A)

(A)



PARTS ON TAPE

- NOTES:
- MATERIALS:  
 SPLICE: SEAMLESS TIN-PLATED COPPER  
 INSULATION: HEAT-SHRINKABLE POLY TUBING WITH HOT MELT INNER LINER
  - MWID = MAXIMUM WIRE INSULATION DIAMETER
  - PARTS ARE ROHS COMPLIANT.

IRLS, REV MWID, OD EC NO: WNA2011-0598 DRW: ETHRODAHL 2011/06/14 CHKD: JMACNEIL 2011/06/27 APPR: JMACNEIL 2011/07/05	QUALITY SYMBOLS	GENERAL TOLERANCES (UNLESS SPECIFIED)	DIMENSION STYLE	SCALE	DESIGN UNITS	THIRD ANGLE PROJECTION
	▼=0 ∇=0	mm      INCH 4 PLACES ± --- ± --- 3 PLACES ± --- ± .005 2 PLACES ± 0.13 ± .010 1 PLACE ± 0.25 ± .020 ANGULAR ± 1/2°	IN/MM DRAWN BY DATE ETHRODAHL 2011/05/31 CHECKED BY DATE JMACNEIL 2011/05/31 APPROVED BY DATE JMACNEIL 2011/05/31	---	INCH	THIRD ANGLE PROJECTION BUTT SPLICES POLY HEAT SHRINK 22-14 AWG
	DRAFT WHERE APPLICABLE MUST REMAIN WITHIN DIMENSIONS	SEE CHART	MATERIAL NO.	DOCUMENT NO.	SHEET NO.	
	SIZE B	THIS DRAWING CONTAINS INFORMATION THAT IS PROPRIETARY TO MOLEX INCORPORATED AND SHOULD NOT BE USED WITHOUT WRITTEN PERMISSION		SD-19717-001	1 OF 1	