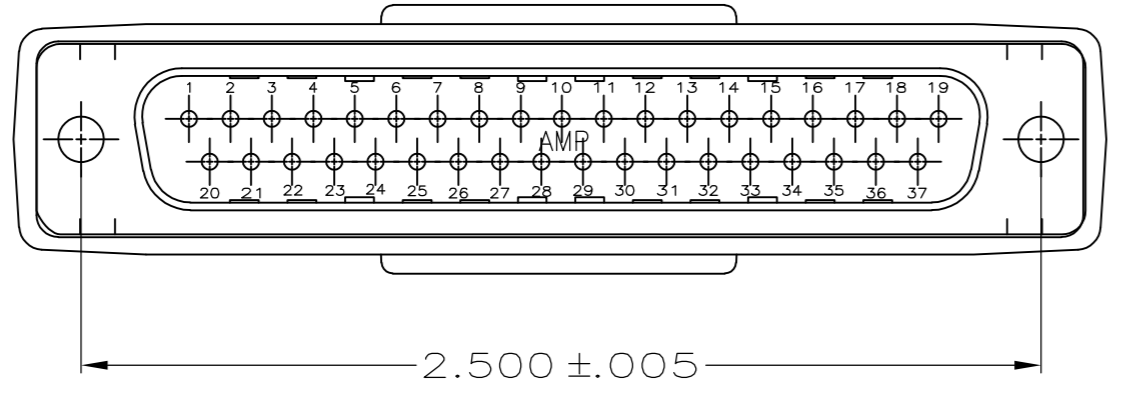
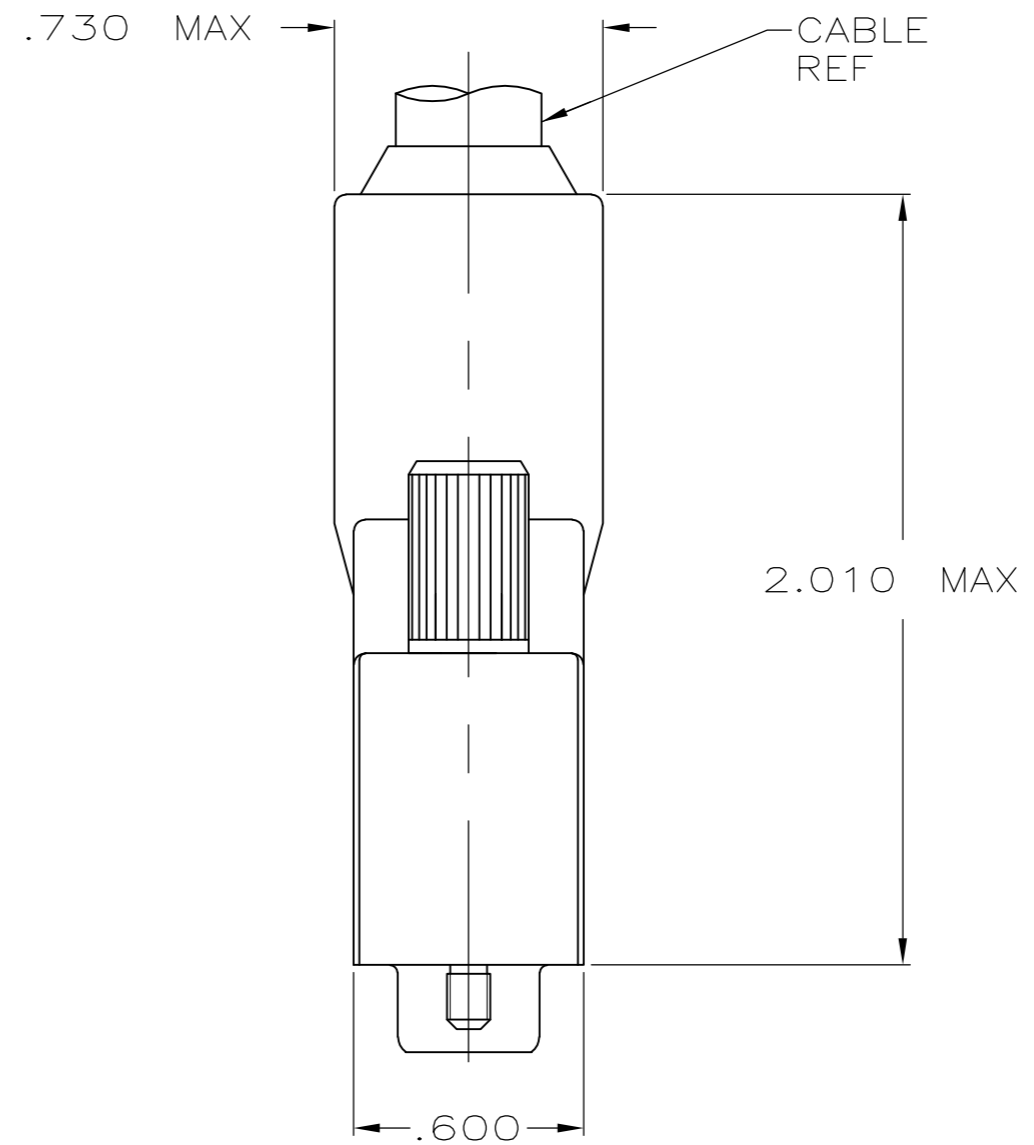
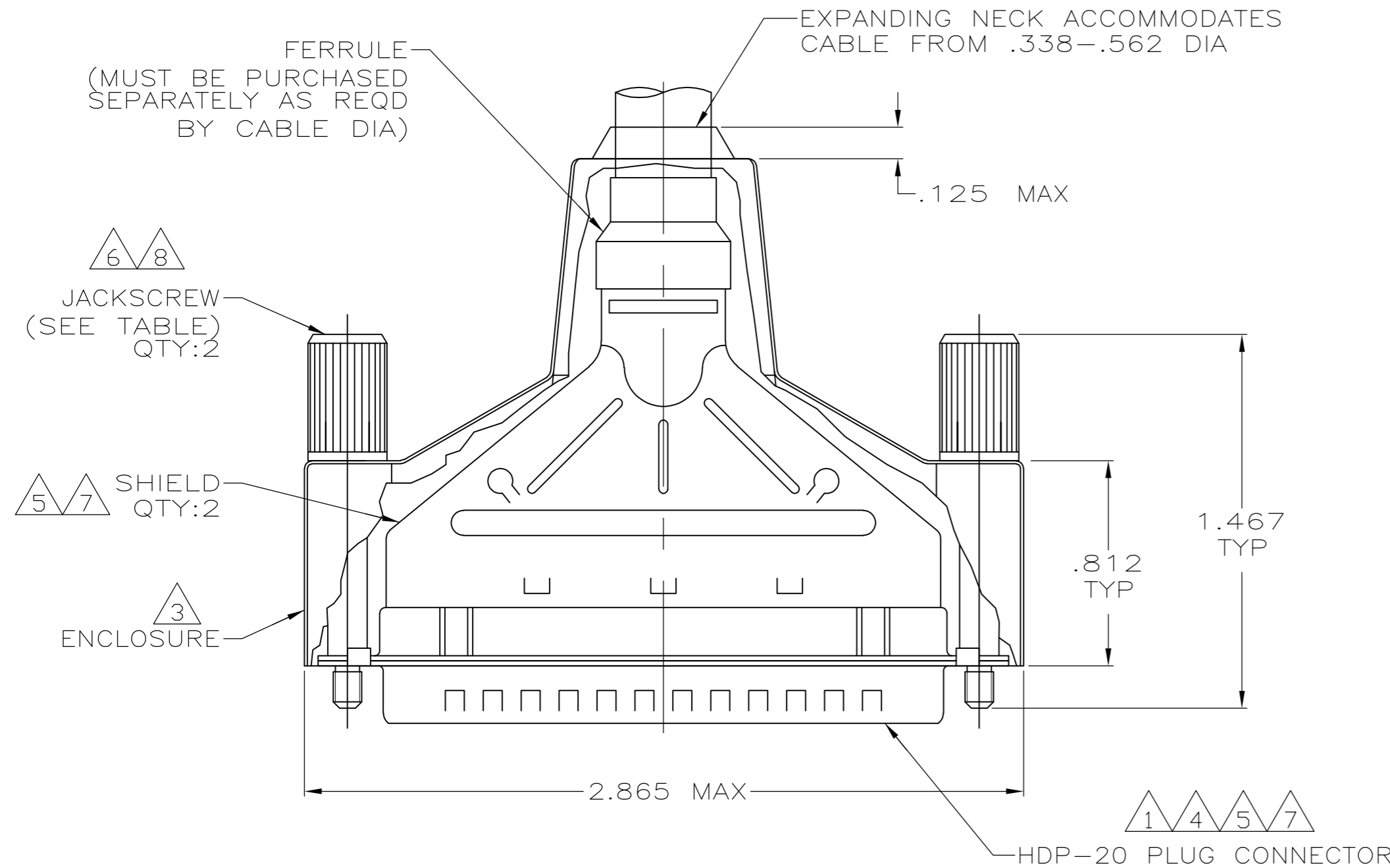


THIS DRAWING IS UNPUBLISHED. RELEASED FOR PUBLICATION  
 © COPYRIGHT - By - ALL RIGHTS RESERVED.

LOC	DIST	REVISIONS					
GP	00	P	LTR	DESCRIPTION	DATE	DWN	APVD
		B		REVISED PER ECO-11-006475	20OCT2011	CJV	CWR

- 1 PLUG ACCEPTS SIZE 20 DF PIN CONTACTS. CONTACTS MUST BE PURCHASED SEPARATELY.
- 2. ALL PARTS SHIPPED UNASSEMBLED.
- 3 FLAME RETARDANT 94V-0 RATED, STYRENE POLYOLEFIN OR PVC, BLACK.
- 4 FLAME RETARDANT 94V-0 RATED GLASS FILLED, NYLON OR POLYESTER, BLACK.
- 5 STEEL PER ASTM A109.
- 6 ZINC ALLOY.
- 7 .000200 MIN TIN PLATE OVER .000100 MIN COPPER UNDERPLATE.
- 8 ELECTRODEPOSITED POLYURETHANE, BLACK.
- 9 COMPONENTS INDIVIDUALLY BULK PACKED.



OBSOLETE	9	M3	5747958-4
		4-40	5747958-1
PACKAGING	REMARKS	JACKSCREW THREADS	PART NUMBER

THIS DRAWING IS A CONTROLLED DOCUMENT.		DWN 11-10-04 G. ATTADIA - DOCK5	<b>TE</b> TE Connectivity	
DIMENSIONS: INCHES		CHK 11-10-04 J. GERACE		
TOLERANCES UNLESS OTHERWISE SPECIFIED:		APVD 11-10-04 M. WALMSLEY	NAME	
0 PLC ± -		PRODUCT SPEC	BULK KIT, PLUG, AMPLIMITE SHIELDING ENCLOSURE, 37 POSN, SIZE 4, HDP-20	
1 PLC ± -		APPLICATION SPEC	SIZE	CAGE CODE
2 PLC ± -		114-40030	A2	00779
3 PLC ± .020		WEIGHT	DRAWING NO	
4 PLC ± -		-	C=5747958	
ANGLES ± -		CUSTOMER DRAWING	SCALE	SHEET
FINISH			2:1	1 of 1
MATERIAL			REV	B
3 4 5 6				
7 8				