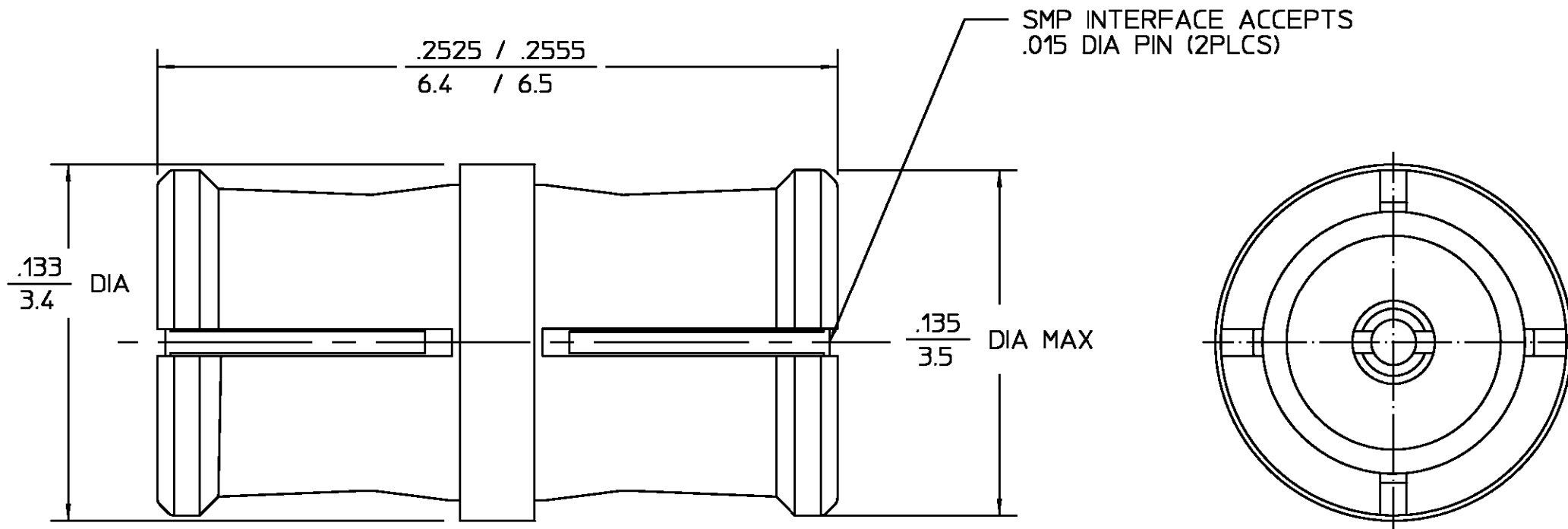


REVISIONS			
REV	DESCRIPTION	DATE	APPROVED
010	RELEASED	6/15/95	<i>RA</i>



NOTE:

\* SPECIFICATIONS SHOWN DERIVED FROM TESTING USING THIS ADAPTER AND M/A-COM TEST FIXTURE 2998-5042-02 AS SPECIFIED IN DESC SPEC 94007. VSWR: DC-23GHz:1.10:1 MAX; 23-26.5GHz: 1.15:1 MAX; 26.5-40GHz: 1.7:1 MAX.

DESC DRAWING NUMBER: 94007ZCG-1

ELECTRICAL	MECHANICAL	ENVIRONMENTAL	HOUSING CONTACT	COMPONENT	MATERIAL	FINISH
Nominal Impedance (Ohms) <u>50 ±1</u>	Force to Engage (Lbs MAX) <u>10.0</u>	Temperature Rating <u>-65° to +125°C</u>	BERYLLIUM COPPER PER ASTM-B196, ALLOY C17300, CONDITION H	DIELECTRIC	TFE FLUOROCARBON PER ASTM-D-1457	GOLD PLATE PER MIL-G-45204
Frequency Range (GHz) <u>DC to 40GHz</u>	Disengage (In Lbs MIN) <u>2.0</u>	Vibration MIL-STD-202, Method 204, Condition D				N/A
Volt Rating (VRMS MAX) @ Sea Level <u>335</u>	Center Contact Retention (Lbs MIN) <u>1.5</u>	Thermal Shock MIL-STD-202, Method 107, Condition B				
*VSWR <u>See Above</u>	Rdial Misalignment: <u>±.020</u>	Corrosion - MIL-STD-202, Method 101, Condition B				
RF Leakage (2-3GHz) <u>-80dB Min</u>	Axial Misalignment: <u>.000/.010</u>	Moisture Resistance: MIL-STS-202, Method 106.				
*Insertion Loss <u>.010</u> √ GHz dB MIN.	Durability: <u>100 cycles</u>					
Corona, 70,000 Ft (VRMS MIN) <u>190</u>						
Dielectric Withstanding Voltage (VRMS MIN) @ Sea Level <u>500</u>						
Contact Resistance (Milliohms MAX) Center Contact(Mated Pair) <u>6.0</u>						
RF High Potential @ Sea Level (VRMS MIN @ 5 MHz) <u>325</u>						
I.R.(Megohms MIN) <u>5,000</u>						
			UNLESS OTHERWISE SPECIFIED DIMENSIONS ARE IN INCHES TOLERANCE ON	DRAWN BY <i>RA</i> DATE <u>5/10/94</u>	AMP Incorporated 140 Fourth Avenue Waltham, MA 02451-7599	
			FRAC. DEC. ANGLES ± 1/64 ±.005 ± °	CHECKED BY <i>RA</i>	AMP	
			These drawings and specifications are the property of Omni Spectra Incorporated and shall not be reproduced or copied or used in whole or in part as the basis for the manufacture or sale of item(s) without written permission.	APPD BY <i>RA</i> DATE <u>5/10/94</u>	TITLE <u>OSMP JACK TO JACK ADAPTER</u>	
				USE ASS'Y PROCEDURE	NO. AP. <u>N/A</u>	SIZE <u>B</u> CODE IDENT NO. <u>26805</u> 2980-5004-62 REV <u>01</u>
						SCALE <u>20 : 1</u> SHEET <u>1</u> OF <u>1</u>

.XXX = in  
XX.X = mm

CUSTOMER DRAWING

AMP PART # 1056703-1  
SHEET 1 OF 1 REV A