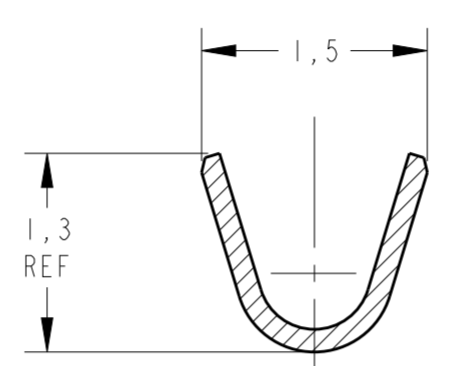
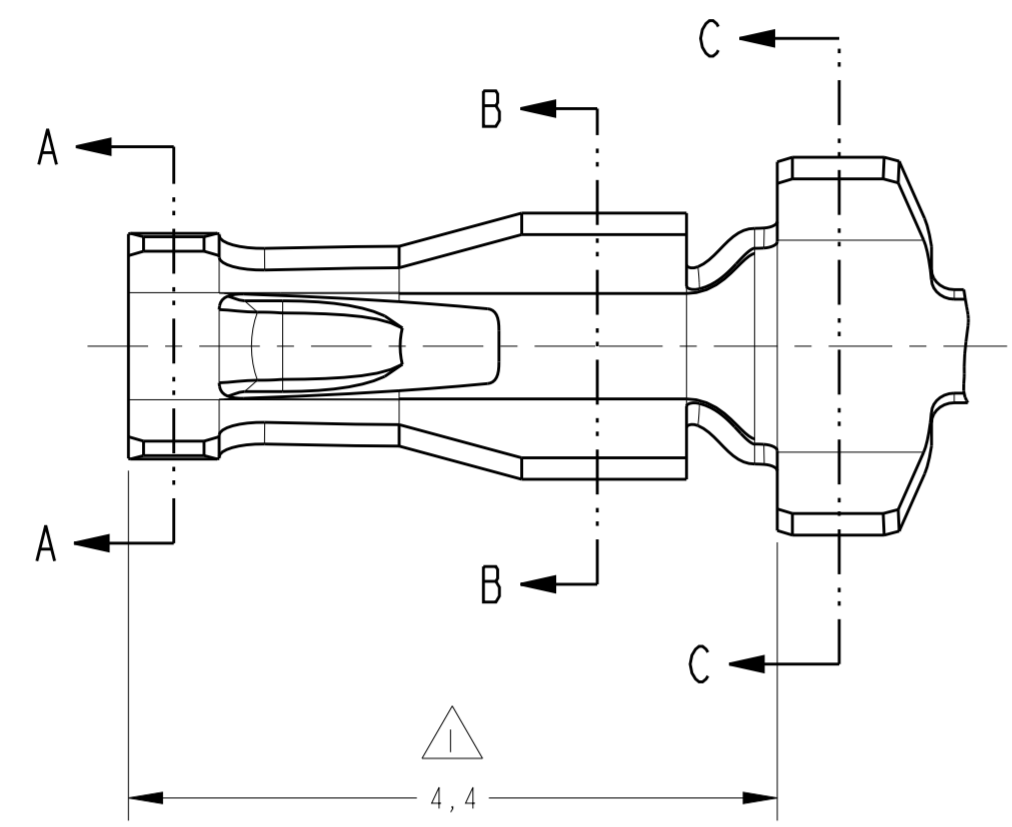
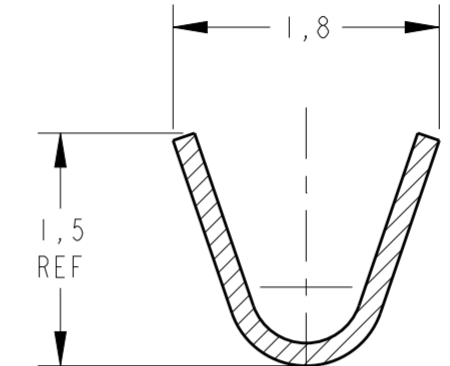


THIS DRAWING IS UNPUBLISHED. RELEASED FOR PUBLICATION 20
 © COPYRIGHT 20 BY - ALL RIGHTS RESERVED.

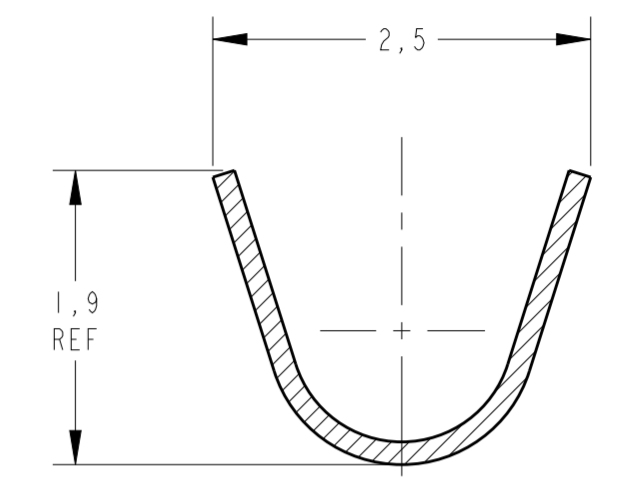
LOC		DIST		REVISIONS			
P	LTR	DESCRIPTION	DATE	DWN	APVD		
AP	-						
D2		REDRAW BY CAD ECO-12-018411	19OCT2012	NCL	WAO		
D3		REV. BY ECO 13-011931	25JUL2013	HC	WLS		



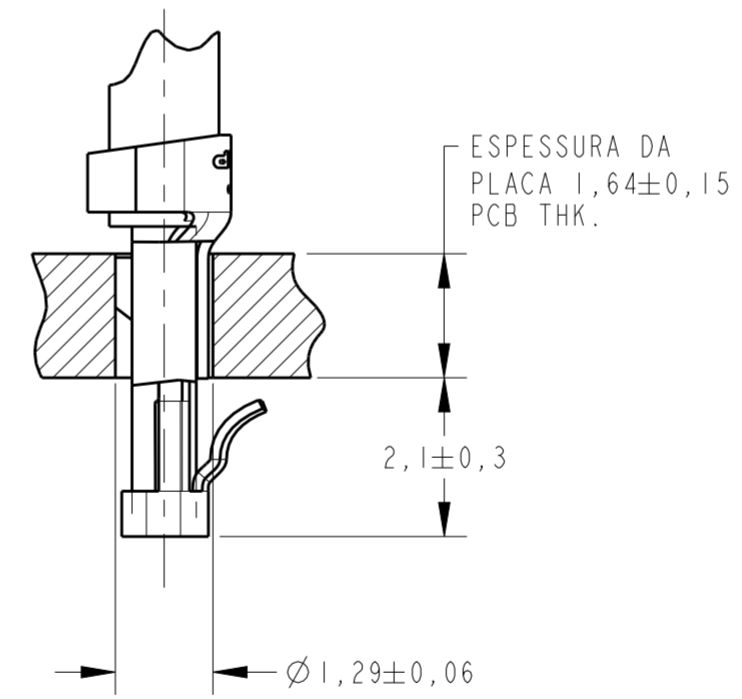
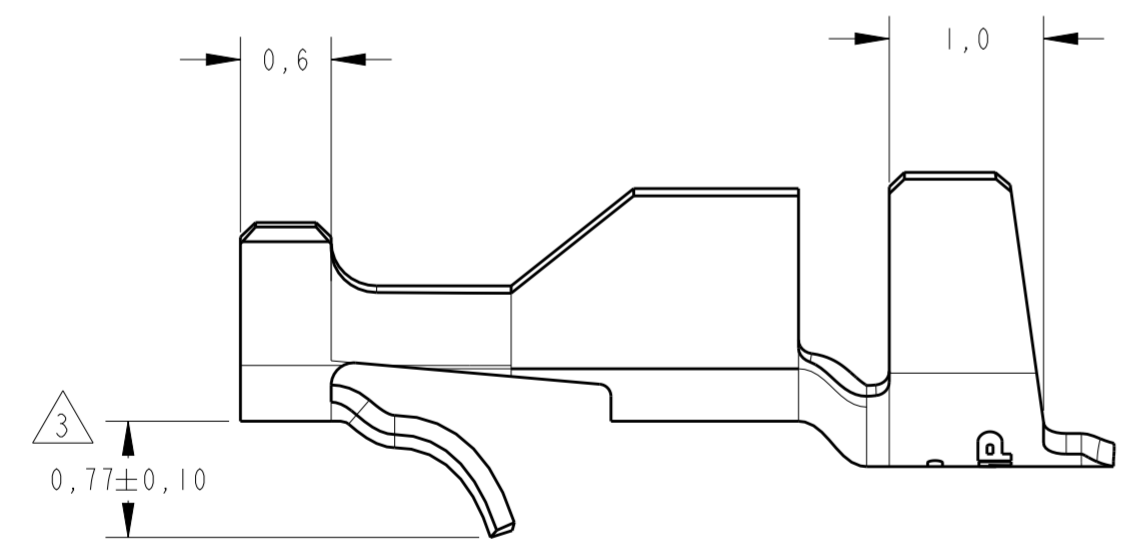
SECTION A-A
SCALE 20:1



SECTION B-B
SCALE 20:1

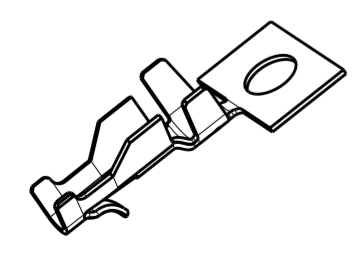


SECTION C-C
SCALE 20:1



SECTION X-X
SCALE 10:1

- 1 - SOLDABILIDADE DE ACORDO COM ESPEC. TE 109-11-5
- SOLDERABLE PER TE SPEC. 109-11-5
- 2 - O TERMINAL DEVE RESISTIR A UMA FORÇA DE ARRANCAMENTO DO CONDUTOR DE 8,9N MIN.
- THE CRIMP TENSILE OF WIRE MUST WITHSTAND 8,9N MIN.
- 3 - ALTURA DA TAVA APÓS APLICAÇÃO: 0,60-0,95.
- LOCKING LANCE HEIGHT AFTER CRIMPING: 0,60-0,95.



PERSPECTIVE VIEW
SCALE 5:1

Ø 1,35mm MAX	24 AWG	EBLF-18B939-FA	PRÉ ESTANHADO S/NICKEL	LATÃO / BRASS	444082 -2
Ø 1,35mm MAX	24 AWG			LATÃO / BRASS	444082 -1
INS. RANGE	WIRE RANGE	PART NUMBER FORD	FINISH	MATERIAL	PART NUMBER

THIS DRAWING IS A CONTROLLED DOCUMENT.		DWN NCLAPRESA 19OCT2012	TE Connectivity CONTACT-SHORT VERSION 11 - MINI AMP-IN		
DIMENSIONS: mm		CHK JRGOLDSCHMIDT 19OCT2012			
TOLERANCES UNLESS OTHERWISE SPECIFIED:		APVD DAOLIVEIRA 19OCT2012			
0 PLC ± 1 PLC ± 2 PLC ±0,3 3 PLC ± 4 PLC ± ANGLES ±1° FINISH		PRODUCT SPEC -			
MATERIAL		APPLICATION SPEC -	SIZE A2	CAGE CODE 00779	DRAWING NO C-444082
CUSTOMER DRAWING			WEIGHT -	RESTRICTED TO -	SCALE 20:1
			SHEET 1	OF 1	REV D3